

PRODUCT INFORMATION PACKET



Model No: 469
Catalog No: 469
1/12 HP OEM Replacement Motor, 1050 RPM, 115/230 Volts, 42 Frame, OAO

OEM Replacement Motors



Regal and Century are trademarks of Regal Rexnord Corporation or one of its affiliated companies.
©2022 Regal Rexnord Corporation, All Rights Reserved. MC017097E





Nameplate Specifications

Output HP	1/12 Hp	Output KW	0.06 kW
Frequency	60 Hz	Voltage	115/230 V
Current	2.7/1.3 A	Speed	1050 rpm
Service Factor	1	Phase	1
Duty	Continuous Air Over	Insulation Class	A
Frame	42	Enclosure	Open Air Over
Thermal Protection	Automatic	Ambient Temperature	40 °C
UL	Recognized	CSA	Y
CE	N	Number of Speeds	1

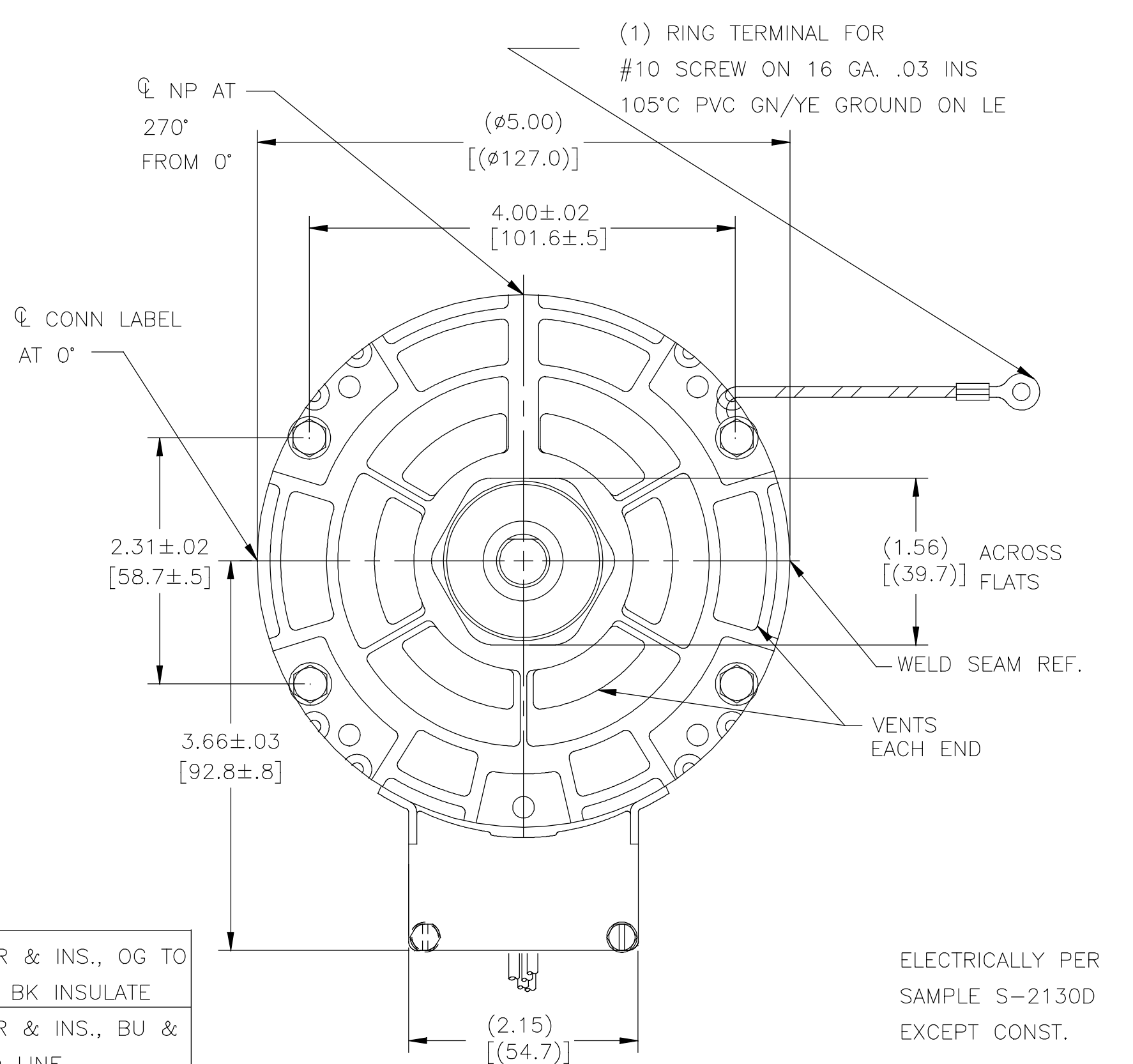
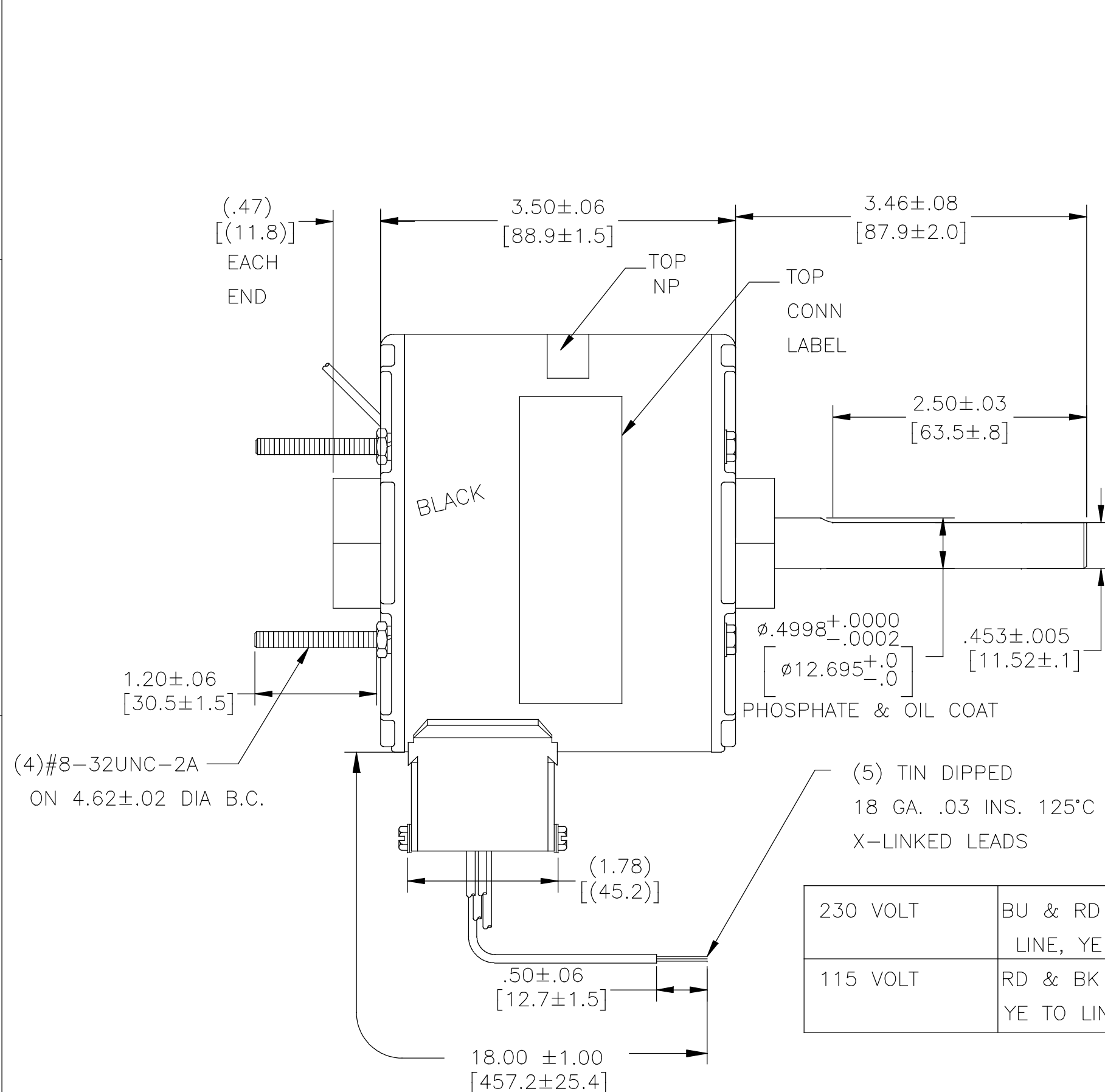
Technical Specifications

Electrical Type	Shaded Pole	Starting Method	Across The Line
Poles	6	Rotation	Clockwise Shaft End
Mounting	Extended Studs	Motor Orientation	Horizontal
Drive End Bearing	Sleeve	Opp Drive End Bearing	Sleeve
Frame Material	Rolled Steel	Shaft Type	Flat
Overall Length	8.16 in	Frame Length	2.92 in
Shaft Diameter	0.500 in	Shaft Extension	3 3/8 in
Outline Drawing	DA3G7185-S01		

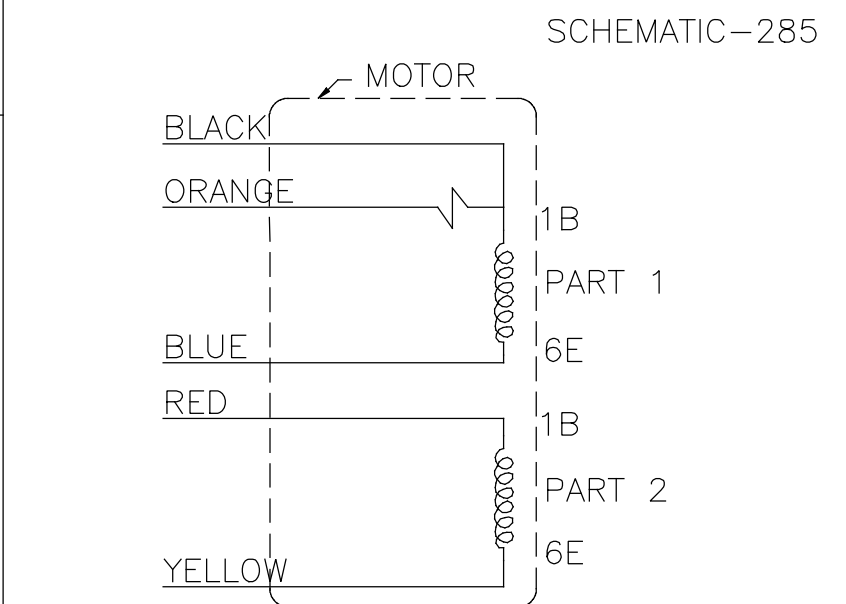
This is an uncontrolled document once printed or downloaded and is subject to change without notice. Date Created:03/04/2022

CUSTOMER IS SOLELY RESPONSIBLE FOR MOTOR PERFORMANCE AND SUITABILITY IN APPLICATIONS FOR CUSTOMER'S USES.

END PLAY .005[.13] MIN - .040[1.02] MAX
 MAX. SHAFT RUN OUT .001[.03] PER INCH
 MAX. RUN OUT NOT TO EXCEED .0075[.191]



ELECTRICALLY PER SAMPLE S-2130D EXCEPT CONST.



REGAL-BELOIT CORPORATION (RBC) PROVIDES TECHNICAL ASSISTANCE TO OUR CUSTOMERS IN SEVERAL AREAS. SINCE RBC DOES NOT RECEIVE ALL DATA CONCERNING THE USE AND APPLICATION OF THE MOTOR, THE SUITABILITY OF THE MOTOR FOR THE APPLICATION MUST BE DETERMINED BY THE CUSTOMER.

DIMENSIONS WITHOUT TOLERANCES ARE FOR REFERENCE ONLY.

ROT.: - CWSE-CCWLE

NAMEPLATE DATA:		TIPP CITY, OHIO		CONN LABEL 63T7432-216	
		THERMALLY PROTECTED			
SER. DATE & PO#	PLT LTR	MODDA3G185N#	STK NO.	469	
VOLTS	115/230	HZ	60	AMPS	2.7/1.3
RPM	050	SP	PH	CAP	
INS CL	AMB °C	HP	1/12	CONT	A.O. ← ROTATION →
BRGSLV					ASSEMBLED IN MEXICO
DRAWING REVISION	REVISION BY	DATE	DRAWN BY:		
K	G.ZHAO	06-21-2017	DLC		
ECO	APPROVED BY	DATE	DATE:		
ECO-0125731	D.MARIO	06-21-2017	01-06-1999		
ECO DESCRIPTION			APPROVED BY:		
SEE ECO			TLB		
COPYRIGHT REGAL BELOIT AMERICA, INC. ALL RIGHTS RESERVED. PROPRIETARY AND CONFIDENTIAL INFORMATION - THIS DOCUMENT IS THE PROPERTY OF REGAL BELOIT AMERICA, INC. (OWNER) AND CONTAINS OWNER'S PROPRIETARY INFORMATION. ANY PERSON, CORPORATION OR OTHER FIRM RECEIVING IT IS DEEMED, BY RECEIVING IT, TO AGREE THAT IT, AND/OR ANY PART OF IT, SHALL NOT BE DISCLOSED TO ANY PERSON, CORPORATION OR OTHER ENTITY, DUPLICATED, AND/OR USED, EXCEPT AS EXPRESSLY APPROVED IN WRITING IN ADVANCE BY OWNER. THIS DOCUMENT SHALL BE RETURNED TO OWNER UPON REQUEST. IT MAY BE SUBJECT TO CERTAIN RESTRICTIONS UNDER APPLICABLE EXPORT CONTROL LAWS AND REGULATIONS.			DATE:		
			01-06-1999		
			PROCESS/FINISH		
			THIRD ANGLE PROJECTION		
		SIZE	DWG NO	SHEET	
		C	DA3G7185	1	