

PRODUCT INFORMATION PACKET



Model No: 46A

Catalog No: 46A

OEM Replacement Motor, 1/12 HP, 1 Ph, 60 Hz, 115 V, 1550 RPM, 1 Speed, 4.4" Diameter, OAO



Regal and Century are trademarks of Regal Rexnord Corporation or one of its affiliated companies.

©2022 Regal Rexnord Corporation, All Rights Reserved. MC017097E





Nameplate Specifications

Output HP	1/12 Hp	Output KW	0.06 kW
Frequency	60 Hz	Voltage	115 V
Current	2.6 A	Speed	1550 rpm
Service Factor	1	Phase	1
Duty	Continuous Air Over	Insulation Class	A
Frame	4.4	Enclosure	Open Air Over
Thermal Protection	Automatic	Ambient Temperature	40 °C
UL	Recognized	CSA	Y
CE	N	Number of Speeds	1

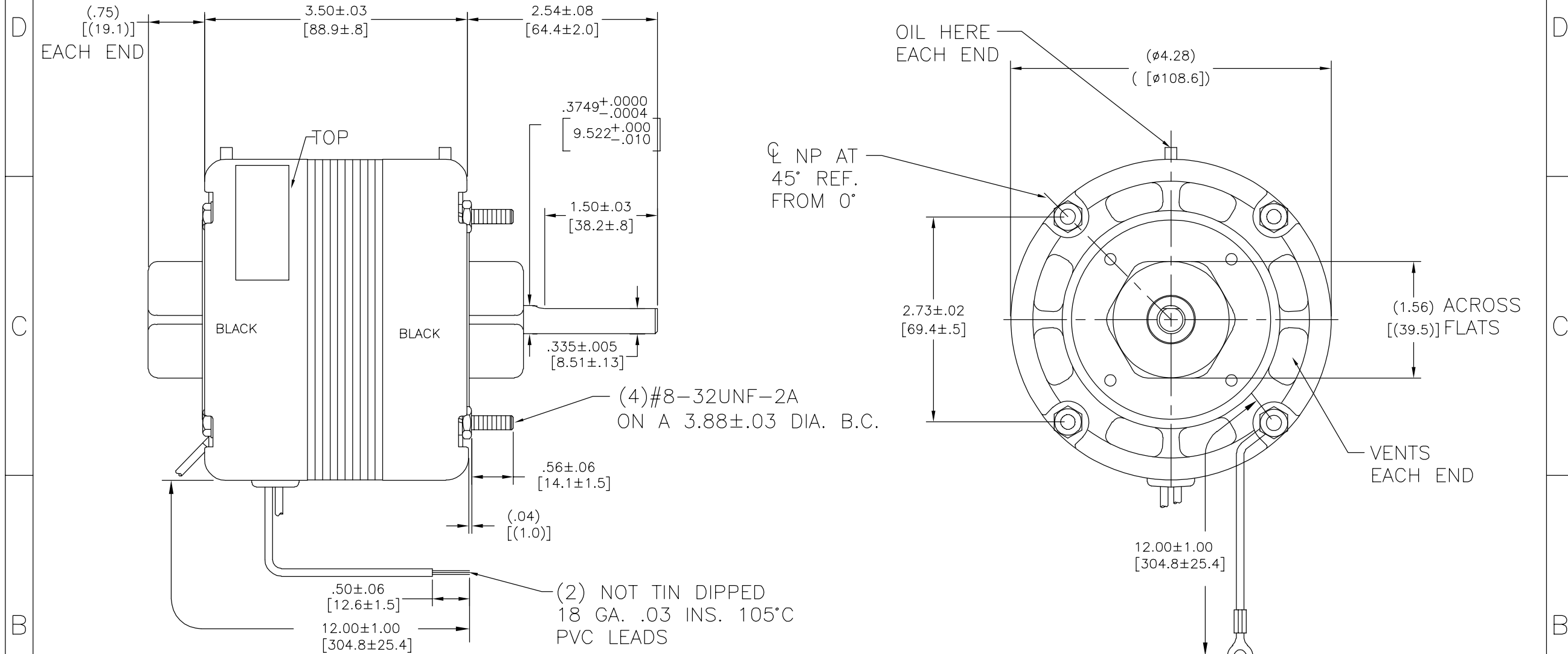
Technical Specifications

Electrical Type	Shaded Pole	Starting Method	Across The Line
Poles	4	Rotation	Clockwise Shaft End
Mounting	Extended Studs	Drive End Bearing	Sleeve
Opp Drive End Bearing	Sleeve	Frame Material	N/A
Shaft Type	Flat	Frame Length	3.50 in
Shaft Diameter	3.800 in	Shaft Extension	2 1/2 in
Outline Drawing	46A-S01		

This is an uncontrolled document once printed or downloaded and is subject to change without notice. Date Created:11/29/2022

CUSTOMER IS SOLELY RESPONSIBLE FOR MOTOR PERFORMANCE AND SUITABILITY IN APPLICATIONS FOR CUSTOMER'S USES

END PLAY .04[1.0] MAXIMUM



NAMEPLATE DATA:



THERMALLY PROTECTED

Tipp City, OH



SER. DATE, PLT MOD CA2G177N# STOCK NO. 46A
 115V 60HZ 2.6A 1550RPM 1/12HP 1PH CONT A.O.
 ASSEMBLED IN MEXICO



CCWLE-CWSE

ELECTRICALLY PER SAMPLE S-7016D

DRAWING REVISION A	REVISION BY A. BAUGHMAN	DATE 02-11-2015	TOLERANCES UNLESS OTHERWISE SPECIFIED DEC. INCH mm ANGLE	DRAWN BY: A. BAUGHMAN	Regal Beloit America, Inc. DESCRIPTION MODEL-SFHP-4.3 OUTLINE
ECO-0071320	APPROVED BY A. BAUGHMAN	DATE 02-11-2015	.XX ±0.02 [±0.51] ±0.5° .XXX ±0.005 [±0.127] .XXXX ±0.0005 [±0.0127] REMOVE BURRS & BREAK SHARP EDGES .003/015 [0.076/381] CORNER FILLETS .02 [1.51] MACHINED SURFACES .125/ mm ^{3/2} mm SHOWN IN [BRACKETS]	DATE: 02-11-2015	
COPYRIGHT REGAL BELOIT AMERICA, INC. ALL RIGHTS RESERVED. PROPRIETARY AND CONFIDENTIAL INFORMATION - THIS DOCUMENT IS THE PROPERTY OF REGAL BELOIT AMERICA, INC. (OWNER) AND CONTAINS OWNER'S PROPRIETARY INFORMATION. ANY PERSON, CORPORATION OR OTHER FIRM RECEIVING IT IS DEEMED, BY RECEIVING IT, TO AGREE THAT IT, AND/OR ANY PART OF IT, SHALL NOT BE DISCLOSED TO ANY PERSON, CORPORATION OR OTHER ENTITY, DUPLICATED, AND/OR USED, EXCEPT AS EXPRESSLY APPROVED IN WRITING IN ADVANCE BY OWNER. THIS DOCUMENT SHALL BE RETURNED TO OWNER UPON REQUEST. IT MAY BE SUBJECT TO CERTAIN RESTRICTIONS UNDER APPLICABLE EXPORT CONTROL LAWS AND REGULATIONS.			REFERENCE	MATERIAL	PROCESS/FINISH
			THIRD ANGLE PROJECTION	SIZE DWG NO C 46A	SHEET 1