

PRODUCT INFORMATION PACKET



Model No: 484
Catalog No: 484

OEM Replacement Motor, 1/15 HP, 1 Ph, 60 Hz, 115 V, 1550 RPM, 1 Speed, 4.4" Diameter, OAO



Regal and Century are trademarks of Regal Rexnord Corporation or one of its affiliated companies.
©2025 Regal Rexnord Corporation, All Rights Reserved. MC017097E





Nameplate Specifications

Phase	1	Output HP	1/15 Hp
Output KW	0.05 kW	Voltage	115 V
Speed	1550 rpm	Service Factor	1.0
Frame	4.4	Enclosure	Open Air Over
Thermal Protection	Thermally Protected	Ambient Temperature	40 °C
Frequency	60 Hz	Current	2.3 A
Duty	Continuous Air Over	Insulation Class	B
UL	Recognized	CSA	Y
CE	N	Number of Speeds	1

Technical Specifications

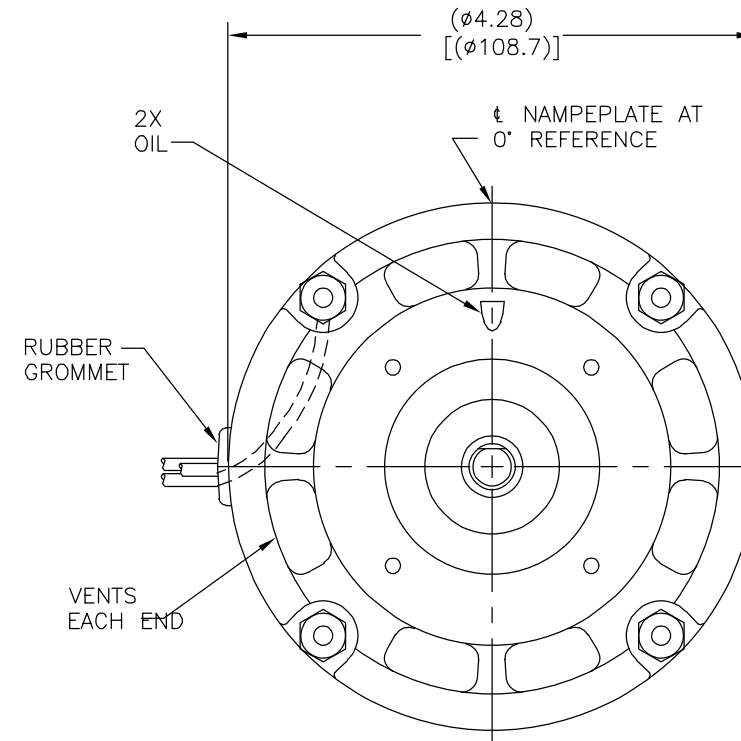
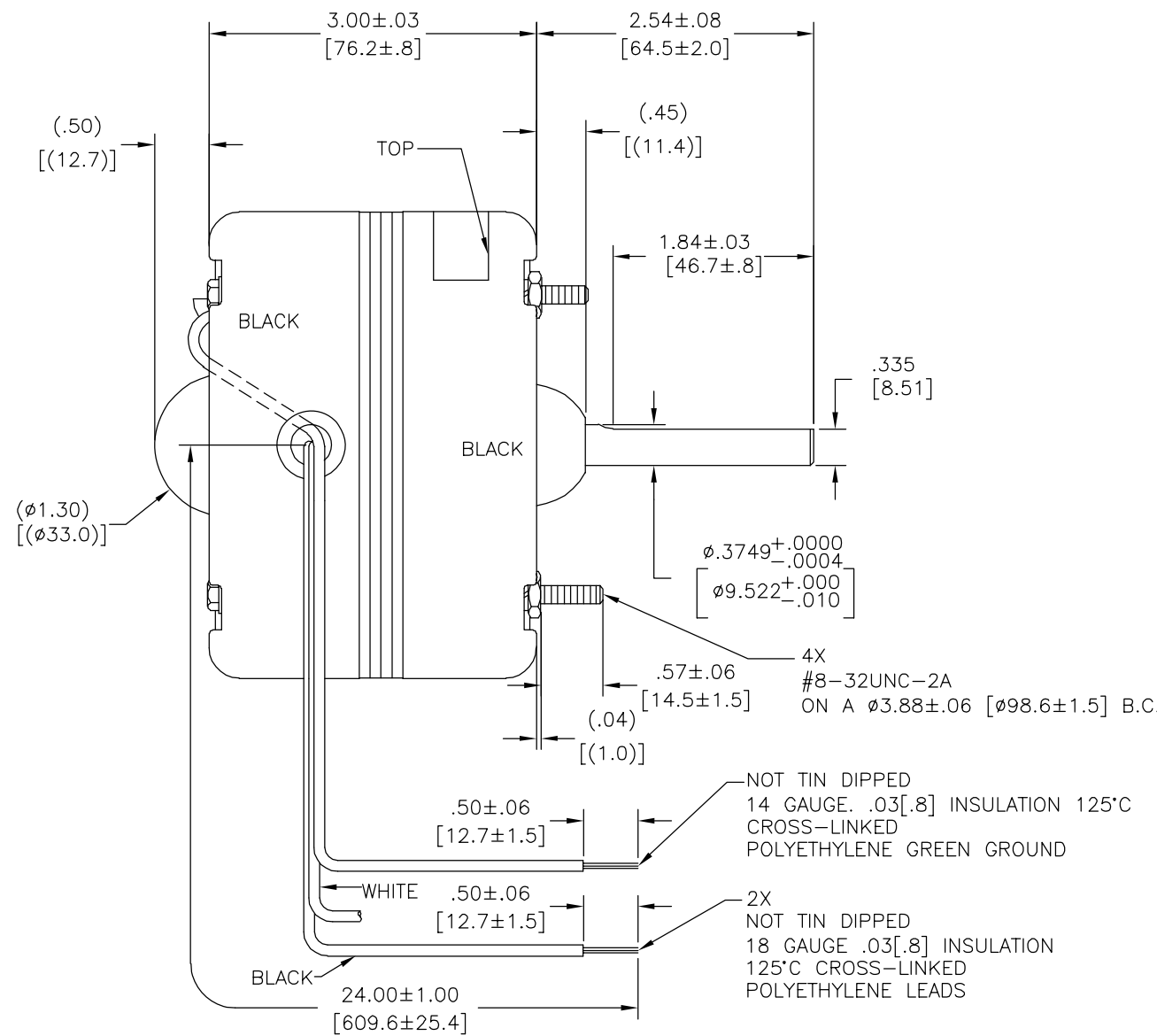
Electrical Type	Shaded Pole	Starting Method	Across The Line
Poles	4	Rotation	Clockwise Lead End
Mounting	Extended Studs	Motor Orientation	Horizontal
Drive End Bearing	Sleeve	Opp Drive End Bearing	Sleeve
Frame Material	Na	Shaft Type	Flat
Overall Length	5.54 in	Shaft Diameter	0.375 in
Shaft Extension	2 1/2 in		
Outline Drawing	CA2E128-S01		

This is an uncontrolled document once printed or downloaded and is subject to change without notice. Date Created:02/10/2025

CUSTOMER IS SOLELY RESPONSIBLE FOR MOTOR PERFORMANCE AND SUITABILITY IN APPLICATIONS FOR CUSTOMER'S USES

REV	ECO	REV BY	DATE	APPD	DATE
BL	0027378	H.REN	07-13-2012	B.SHEN	07-13-2012

END PLAY .04[1.0] MAXIMUM



NOTE:
1. DISTRIBUTION PART NUMBER: 484
GRAINGER PART NUMBER: 4VA17

CWLE-CCWSE

NAMEPLATE DATA:



THERMALLY PROTECTED

Tipp City, OH

SEE NOTE 1

SER. DATE, PLT MOD CA2E128N" CONT AO
115V 60HZ 2.3A 1550RPM 1/15HP 1PH
-ROTATION- CLASS B INS. ASSEMBLED IN MEXICO

ELECTRICALLY PER SAMPLE S-734D

COLOR CODE	
BLACK	MOTOR
WHITE	MOTOR
GREEN	GROUND

GEOMETRIC CHARACTERISTICS & SYMBOLS	
▭	FLATNESS
-	STRAIGHTNESS
∠	ANGULARITY
⊥	PERPENDICULARITY (SQUARENESS)
//	PARALLELISM
○	ROUNDNESS (CIRCULARITY)
⊘	CYLINDRICITY
△	PROFILE OF ANY SURFACE
∧	PROFILE OF ANY LINE
↗	RUNOUT
⊕	TRUE POSITION
⊙	CONCENTRICITY
≡	SYMMETRY

UNLESS OTHERWISE SPECIFIED DIM. TOLERANCES ARE AS FOLLOWS:	
INCH	±.1 ±.02 ±.005 ±.0005
mm	±0.5 ±0.13 ±0.013
ANG. ±.50 DEG	
REMOVE BURRS & BREAK SHARP EDGES:	
INCH	.003-.015 mm 0.1-0.4
CORNER FILLETS TO:	
INCH	.020 mm 0.5
MACHINE SURFACES:	
INCH	125 mm 3.2
METRIC DIMS. SHOWN IN [BRACKETS]	

DR BY:	AJB
APPD:	
THIRD ANGLE PROJECTION	EDS DATE 11-11-2011 FORMAT REV H
CONFIDENTIAL: THIS DRAWING AND ITS INFORMATION ARE THE EXCLUSIVE AND CONFIDENTIAL PROPERTY OF REGAL-BELOIT CORPORATION AND ARE NOT TO BE DISCLOSED, DUPLICATED, DISTRIBUTED OR OTHERWISE USED WITHOUT THE WRITTEN CONSENT OF REGAL-BELOIT CORPORATION. -ALL RIGHTS RESERVED.	

REGAL REGAL-BELOIT CORPORATION	
DESCRIPTION OUTLINE	
SIZE C	DWG NO CA2E128
SCALE NONE	SHEET 1

4

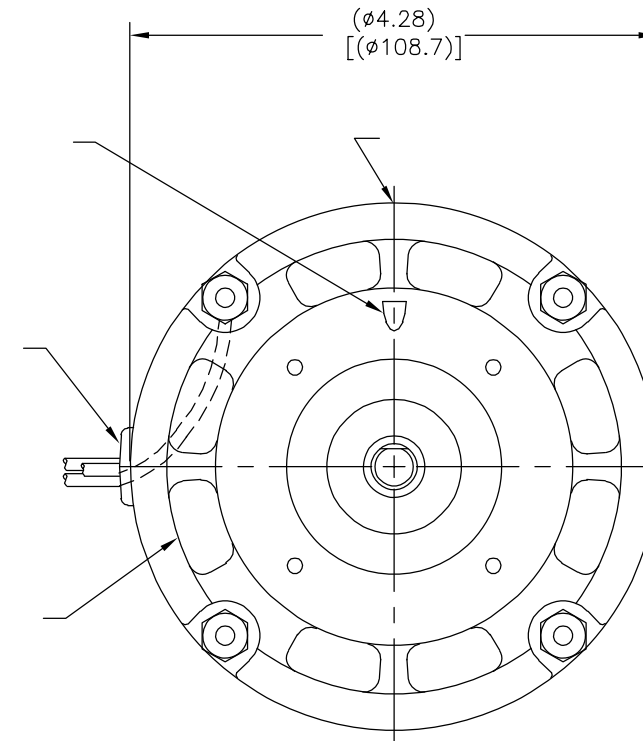
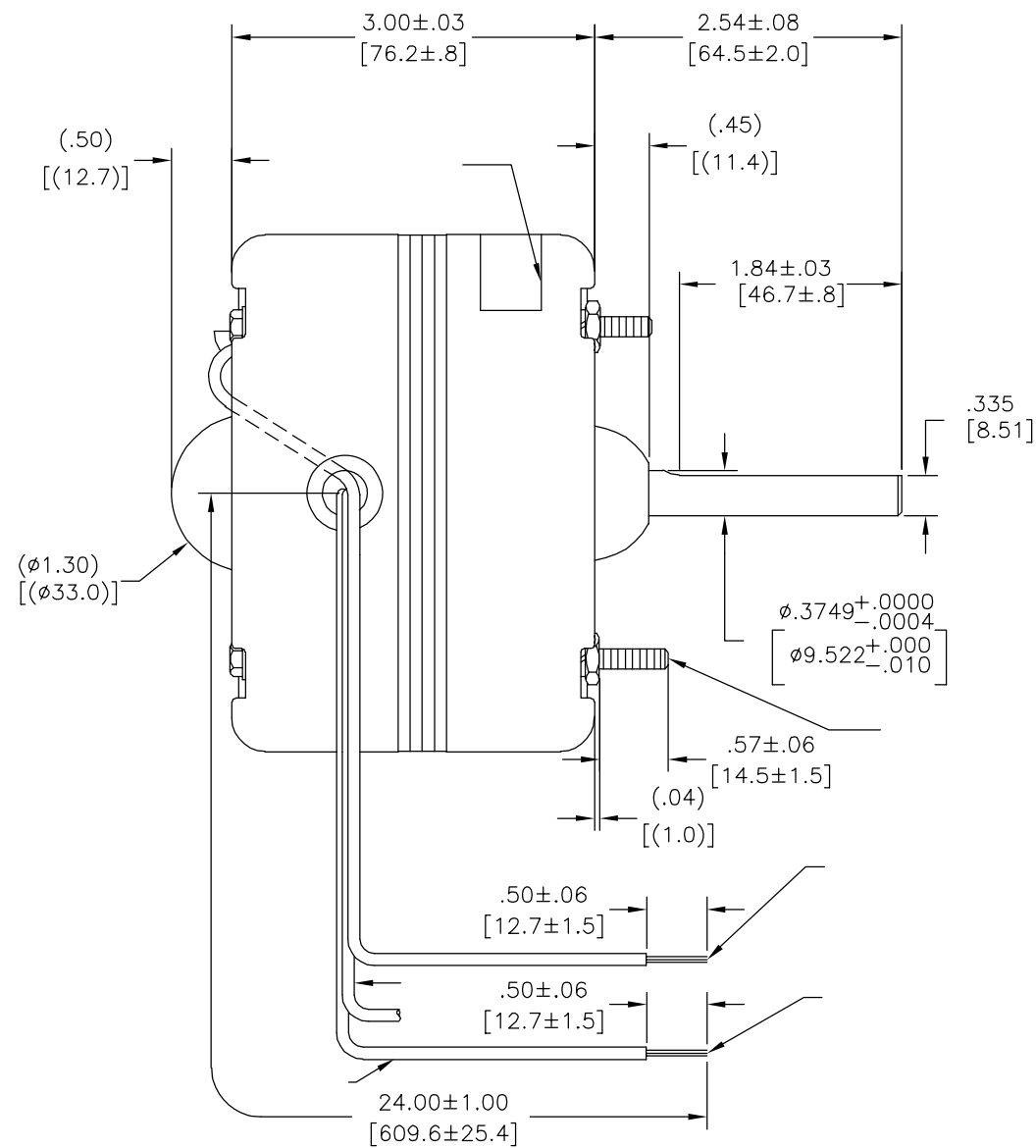
3

2

1

CUSTOMER IS SOLELY RESPONSIBLE FOR MOTOR PERFORMANCE AND SUITABILITY IN APPLICATIONS FOR CUSTOMER'S USES

REVISION:	ECO	REVISADO POR:	FECHA:	APROBADO POR:	FECHA:
BL	0027378	H.REN	07-13-2012	B.SHEN	07-13-2012



THERMALLY PROTECTED

Tipp City, OH

SER. DATE, PLT MOD CA2E128N" CONT AO
 115V 60HZ 2.3A 1550RPM 1/15HP 1PH
 -ROTATION- CLASS B INS. ASSEMBLED IN MEXICO



CARACTERISTICAS DE GEOMETRIA Y SIMBOLOS	
□	PLANICIDAD
-	RECTITUD
∠	ANGULARIDAD
⊥	PERPENDICULARIDAD (A ESCUADRA)
//	PARALELISMO
○	REDONDEZ (CIRCULARIDAD)
⊘	CILINDRICIDAD
△	PERFIL DE CUALQUIER SUPERFICIE
∧	PERFIL DE CUALQUIER LINEA
↑	VARIACION
+	POSICION REAL
⊙	CONCENTRICIDAD
≡	SIMETRIA

A MENOS QUE SE ESPECIFIQUE DE OTRA MANERA, LAS TOLERANCIAS DE LAS DIMS; SON LAS SIGUIENTES:	
PULG	±.1 ±.02 ±.005 ±.0005
mm	±0.5 ±0.13 ±0.013
ANG. ±.50 GRADOS	
ELIMINAR REBABAS Y ORILLAS FILOSAS DEL BORDE.	
PULG	.003-.015 mm 0.1-0.4
FILETEAR ESQUINA: PULG .020 mm 0.5	
MAQUINAR SUPERFICIES	
PULG	125 mm .32
DIMS METRICAS MOSTRADAS [PARENTESIS]	

DIBUJADO POR:	AJB
APROBADO POR:	
TERCER ANGULO DE PROYECCION	⊕
FECHA EDS:	11-11-2011
REV. FORMATO:	H
CONFIDENCIAL: ESTE DIBUJO Y SU INFORMACION SON PROPIEDAD DE USO EXCLUSIVO Y CONFIDENCIAL DE REGAL-BELOIT CORPORATION. Y NO DEBERAN SER REVELADOS, DUPLICADOS, DISTRIBUIDOS O USARSE DE OTRA MANERA SIN EL CONSENTIMIENTO ESCRITO DE REGAL-BELOIT CORPORATION. -TODOS LOS DERECHOS RESERVADOS.	

REGAL REGAL-BELOIT CORPORATION	
DESCRIPCION: OUTLINE	
TAMAÑO: C	NUMERO DE DIBUJO: CA2E128
ESCALA: NONE	HOJA: 1

4

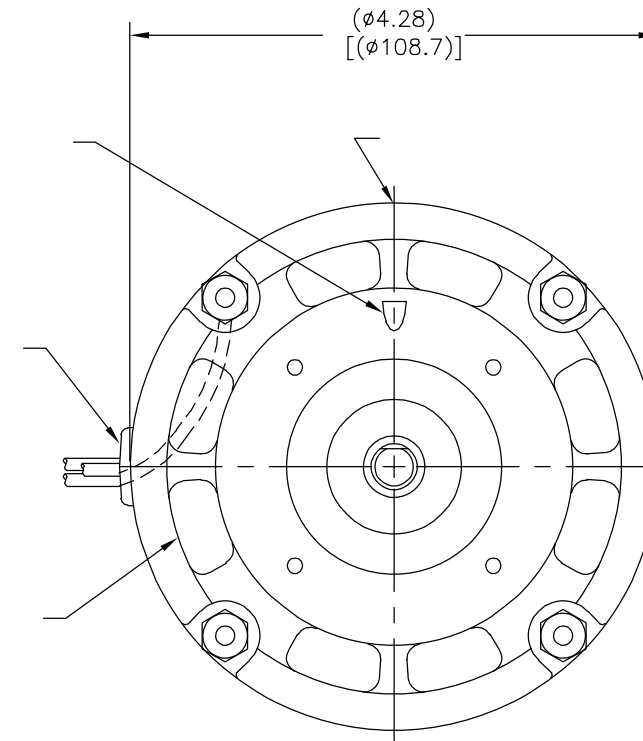
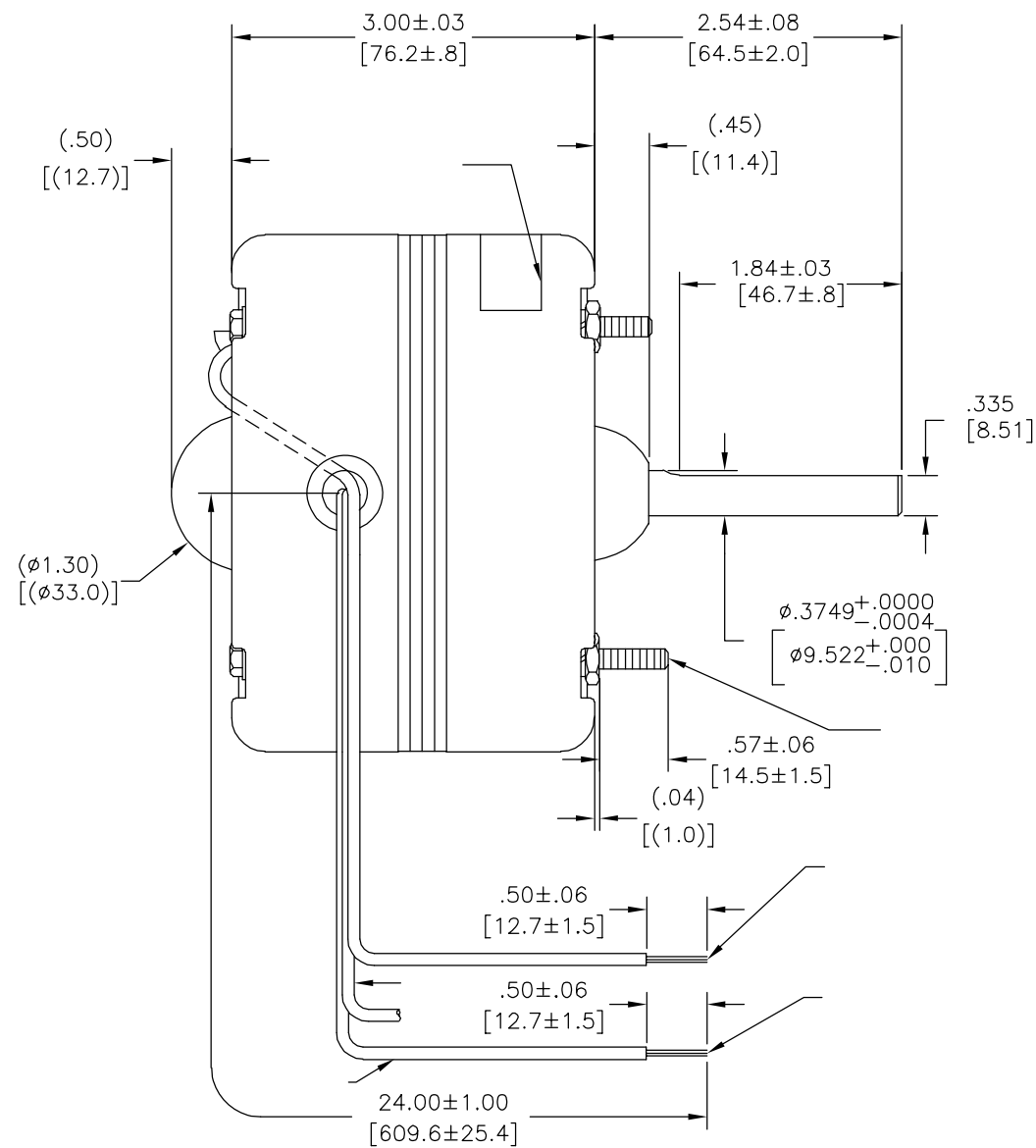
3

2

1

CUSTOMER IS SOLELY RESPONSIBLE FOR MOTOR PERFORMANCE AND SUITABILITY IN APPLICATIONS FOR CUSTOMER'S USES

版本	ECO	编制	日期	批准	日期
BL	0027378	H.REN	07-13-2012	B.SHEN	07-13-2012



THERMALLY PROTECTED
 SER. DATE, PLT MOD CA2E128N" CONT AO
 115V 60HZ 2.3A 1550RPM 1/15HP 1PH
 CLASS B INS. ASSEMBLED IN MEXICO

Tipp City, OH



形位公差 □ 平面度 — 直线度 ∠ 倾斜度 ⊥ 垂直度 ∥ 平行度 ○ 圆度 ⊘ 圆柱度 △ 面轮廓度 ⌒ 线轮廓度 ↗ 圆跳动 ⊕ 位置度 ⊙ 同轴度 ≡ 对称度	除另有注明 尺寸公差如下: 英寸 X XX XXX XXXX 毫米 ±0.1 ±0.02 ±0.005 ±0.0005 毫米 ±0.5 ±0.13 ±0.013 角度 ±.50 度 清理毛刺和尖棱 英寸 .003-.015 毫米 0.1-0.4 内圆角 英寸 .020 毫米 0.5 表面粗糙度 英制 125 米制 3.2
--	--

ASME Y14.5M 1994

绘图: AJB	名称: REGAL REGAL-BELOIT CORPORATION
批准:	图幅: C 图号: CA2E128
第三角投影	比例: NONE
机密: 本图纸及相关信息所有权归REGAL-BELOIT CORPORATION 未经REGAL-BELOIT CORPORATION书面授权, 不得泄露、 复制、传播或作其他用途。—版权所有	页号: 1

图纸格式发布日期 11-11-2011	图纸格式版本 H
比例: NONE	页号: 1