

# PRODUCT INFORMATION PACKET



Model No: 486A  
Catalog No: 486A

Pedestal Fan Motor, 1/4 HP, 1 Ph, 60 Hz, 115 V, 1100 RPM, 2 Speed, 48 Frame, TEAO



Regal and Century are trademarks of Regal Rexnord Corporation or one of its affiliated companies.  
©2022 Regal Rexnord Corporation, All Rights Reserved. MC017097E





**Nameplate Specifications**

Output HP	<b>1/4 Hp</b>	Output KW	<b>0.19 kW</b>
Frequency	<b>60 Hz</b>	Voltage	<b>115 V</b>
Current	<b>3.2 A</b>	Speed	<b>1100 rpm</b>
Service Factor	<b>1</b>	Phase	<b>1</b>
Duty	<b>Air Over</b>	Insulation Class	<b>B</b>
Frame	<b>48Y</b>	Enclosure	<b>Totally Enclosed Air Over</b>
Thermal Protection	<b>Automatic</b>	Ambient Temperature	<b>60 °C</b>
UL	<b>Recognized</b>	CSA	<b>Y</b>
CE	<b>N</b>	Number of Speeds	<b>2</b>

**Technical Specifications**

Electrical Type	<b>Permanent Split Capacitor</b>	Starting Method	<b>Across The Line</b>
Poles	<b>6</b>	Rotation	<b>Reversible</b>
Mounting	<b>Yoke</b>	Motor Orientation	<b>Horizontal</b>
Drive End Bearing	<b>Ball</b>	Opp Drive End Bearing	<b>Ball</b>
Frame Material	<b>Rolled Steel</b>	Shaft Type	<b>Flat</b>
Overall Length	<b>10.65 in</b>	Frame Length	<b>6.00 in</b>
Shaft Diameter	<b>0.500 in</b>	Shaft Extension	<b>3.5 in</b>
Connection Drawing	<b>D0000292-001</b>	Outline Drawing	<b>486A-S01</b>

This is an uncontrolled document once printed or downloaded and is subject to change without notice. Date Created:11/28/2022

GENERAL INFORMATION:

SHAFT RUNOUT: .001[.03] T.I.R. PER 1.00[25.4] LENGTH OF EXTENSION

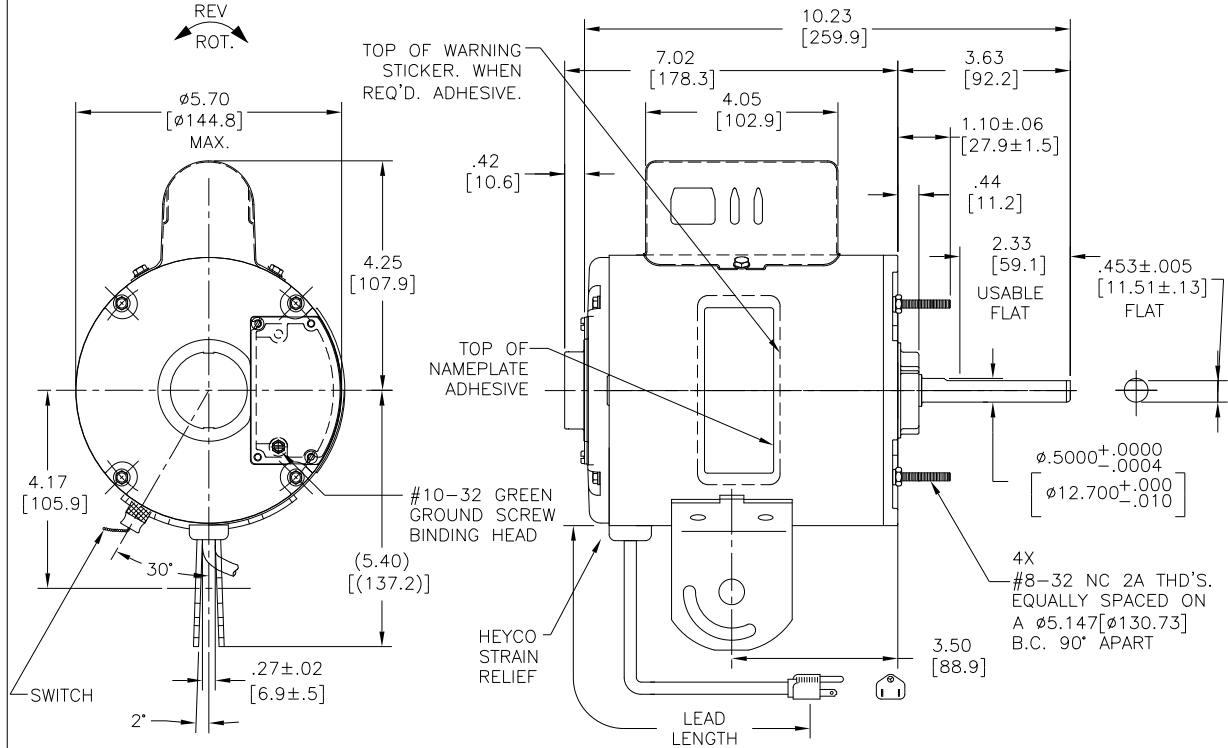
BEARINGS: BALL

MOUNTING POSITION: HORIZONTAL

ELECTRICAL DATA:

OVERLOAD PROTECTOR: AUTOMATIC RESET (T.I. 7AM 036)

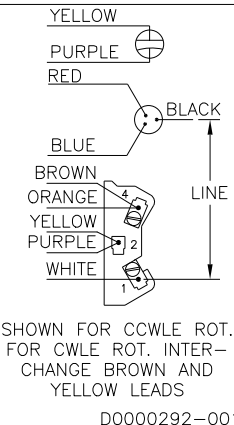
LEADS: NO. 18 GA. .03[.8] THK. XLP 125°C INSULATION



NAMEPLATE DATA:

EXTERNAL CONNECTION DIAGRAM

MODEL NO.: F48Y85A01  
 CUST. P/N: 486A  
 HP: 1/4  
 ROT.: REV  
 RPM: 1100/2SPD  
 TYPE: UF  
 FRAME: 48Y  
 VOLTS: 115  
 PH: 1  
 AMPS: 3.2  
 HZ: 60  
 INS.: B  
 AMB.: 60°C  
 DUTY: AIR OVER  
 CAP.: 5MFD/370V  
 ENCL: ENCLOSED  
 UL LOGO  
 CSA LOGO  
 THERMALLY PROTECTED



PERFORMANCE CURVE NO.	TORQUE @ 1100 RPM (25°C)	APPROVED SAMPLE	UL COMPONENT		CSA	
C32867	21.2 OZ. FT.	0601685A	FILE #	CCN #	FILE #	CLASS #
			E46412	PRGY2	LR43341	4211-01

3 COND. CABLE	GREEN (GRD)	11.0/13.0 [279/330]	MOLDED PLASTIC PLUG
	BLACK	11.0/13.0 [279/330]	
	WHITE	11.0/13.0 [279/330]	
EXT. INTO TERMINAL BOARD	YELLOW	6.0/7.0 [152/178]	.25[6.4] FLAG (BOTH ENDS)
	WHITE	6.0/7.0 [152/178]	.25[6.4] FLAG
	BROWN	6.0/7.0 [152/178]	.25[6.4] FLAG
	ORANGE	6.0/7.0 [152/178]	.25[6.4] FLAG
	PURPLE	6.0/7.0 [152/178]	.25[6.4] FLAG
	BLUE	4.0/5.0 [101/127]	.31[7.9] SKIN (TIN DIPPED)
	RED	4.0/5.0 [101/127]	.31[7.9] SKIN (TIN DIPPED)
	COLOR	LENGTH	TERMINAL OR STRIP LENGTH
LEAD DATA			

NOTE:

- (4) LOCKWASHERS 20PS8-B3
- (8) SPACERS 24P302-1-3
- (4) HEX NUTS 368C210H05
- TO BE PUT IN POLY BAG A SHIPPED SEPARATE IN EACH CARTON.

REGAL-BELOIT CORPORATION (RBC) PROVIDES TECHNICAL ASSISTANCE TO OUR CUSTOMERS IN SEVERAL AREAS. SINCE RBC DOES NOT RECEIVE ALL DATA CONCERNING THE USE AND APPLICATION OF THE MOTOR, THE SUITABILITY OF THE MOTOR FOR THE APPLICATION MUST BE DETERMINED BY THE CUSTOMER.

DIMENSIONS WITHOUT TOLERANCES ARE FOR REFERENCE ONLY.

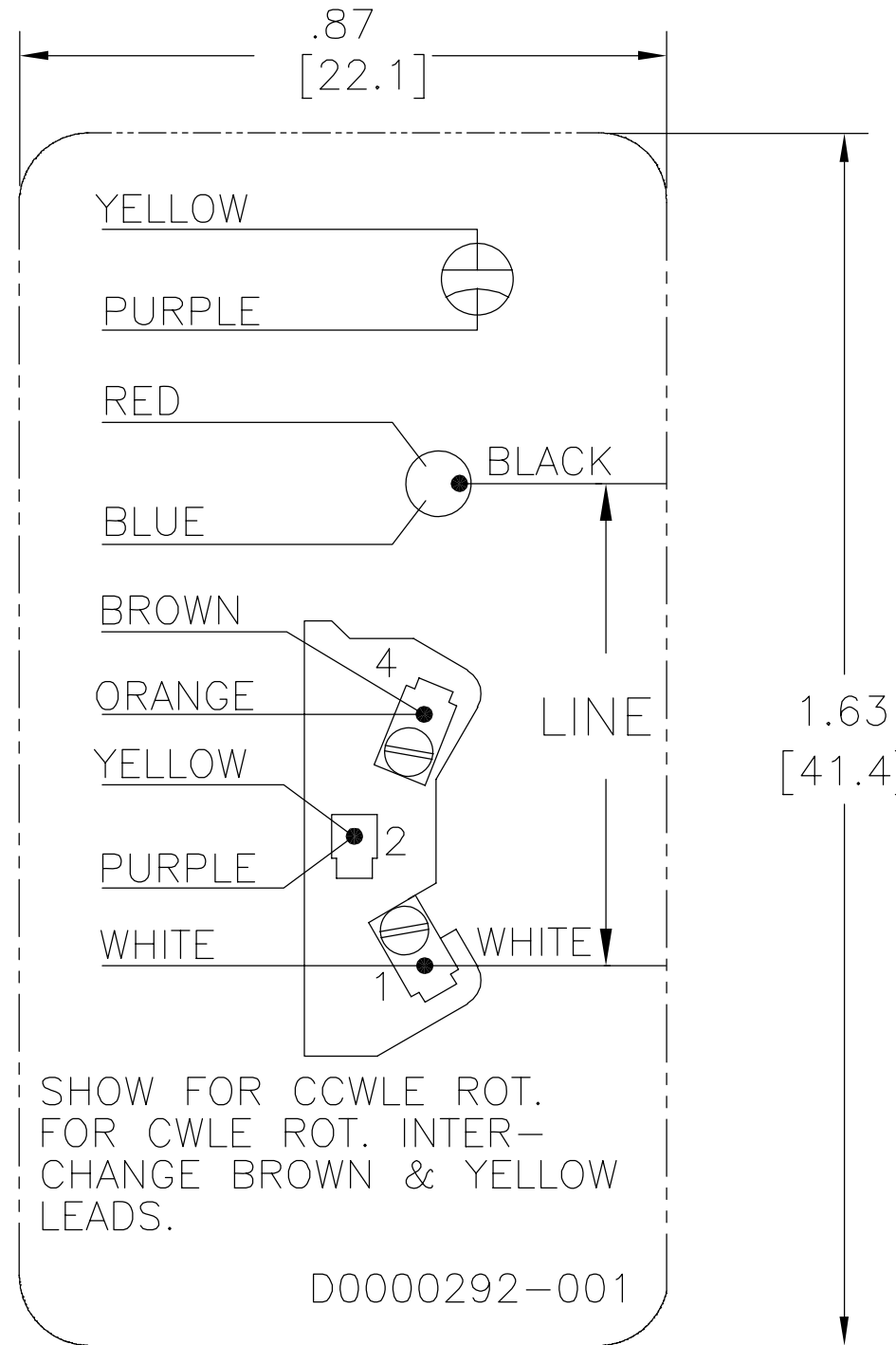
MAIN FRAME - OLE	ENCLOSED
END FRAME - OLE	ENCLOSED
MAIN FRAME - LE	ENCLOSED
END FRAME - LE	ENCLOSED

CUSTOMER DISTRIBUTION SERVICES

DRAWING REVISION	REVISION BY	DATE
E	J. RUPERT	11-15-2021
ECO	APPROVED BY	DATE
ECO-0213279	J. RUPERT	11-15-2021
ECO DESCRIPTION		
ADDED GREEN GROUND SCREW		
<small>COPYRIGHT REGAL-BELOIT AMERICA, INC. ALL RIGHTS RESERVED. PROPRIETARY AND CONFIDENTIAL INFORMATION - THIS DOCUMENT IS THE PROPERTY OF REGAL-BELOIT AMERICA, INC. (OWNER) AND CONTAINS OWNER'S PROPRIETARY INFORMATION. ANY REPRODUCTION OR OTHER FORM RECEIVING IT IS DENIED. BY RECEIVING IT, TO AGREE THAT IT, AND/OR ANY PART OF IT, SHALL NOT BE DISCLOSED TO ANY PERSON, CORPORATION OR OTHER ENTITY, DUPLICATED, AND/OR USED, EXCEPT AS EXPRESSLY APPROVED IN WRITING IN ADVANCE BY OWNER. THIS DOCUMENT SHALL BE RETURNED TO OWNER UPON REQUEST. IT MAY BE SUBJECT TO CERTAIN RESTRICTIONS UNDER APPLICABLE EXPORT CONTROL LAWS AND REGULATIONS.</small>		

DRAWN BY:	GALVIREZ	Regal Beloit America, Inc.
DATE:	05-03-2011	
APPROVED BY:		DESCRIPTION
		MODEL-RFHP-48FR OUTLINE
DATE:		
PROCESS/FINISH		MATERIAL
THIRD ANGLE PROJECTION		SIZE DWG NO
		486A
		SHEET
		1

REV	ECO	REV BY	DATE	APPD	DATE
A	0016130	JESUS MENA	11-17-2010	SAMUEL JIMENEZ	11-17-2010



NOTES:

1. FOR USE WITH 614129 NAMEPLATE BLANK
2. — — — — — INDICATES DIMENSION LIMITS
3. DIE TO BE MADE FROM MASTER SUPPLIED BY A. O. SMITH CORPORATION
4. DIE MUST PRODUCE A LEGIBLE IMPRESSION.

GEOMETRIC CHARACTERISTICS & SYMBOLS

- ▭ FLATNESS
- STRAIGHTNESS
- ∠ ANGULARITY
- ⊥ PERPENDICULARITY (SQUARENESS)
- // PARALLELISM
- ROUNDNESS (CIRCULARITY)
- ⊘ CYLINDRICITY
- △ PROFILE OF ANY SURFACE
- ∩ PROFILE OF ANY LINE
- ↑ RUNOUT
- ⊕ TRUE POSITION
- ◎ CONCENTRICITY
- ≡ SYMMETRY

UNLESS OTHERWISE SPECIFIED  
DIM. TOLERANCES ARE AS FOLLOWS:

INCH	±.1	±.02	±.005	±.0005
mm	±0.5	±0.13	±0.013	

ANG. ±.50 DEG

REMOVE BURRS & BREAK SHARP EDGES:  
INCH .003-.015 mm 0.1-0.4

CORNER FILLETS TO:  
INCH .020 mm 0.5

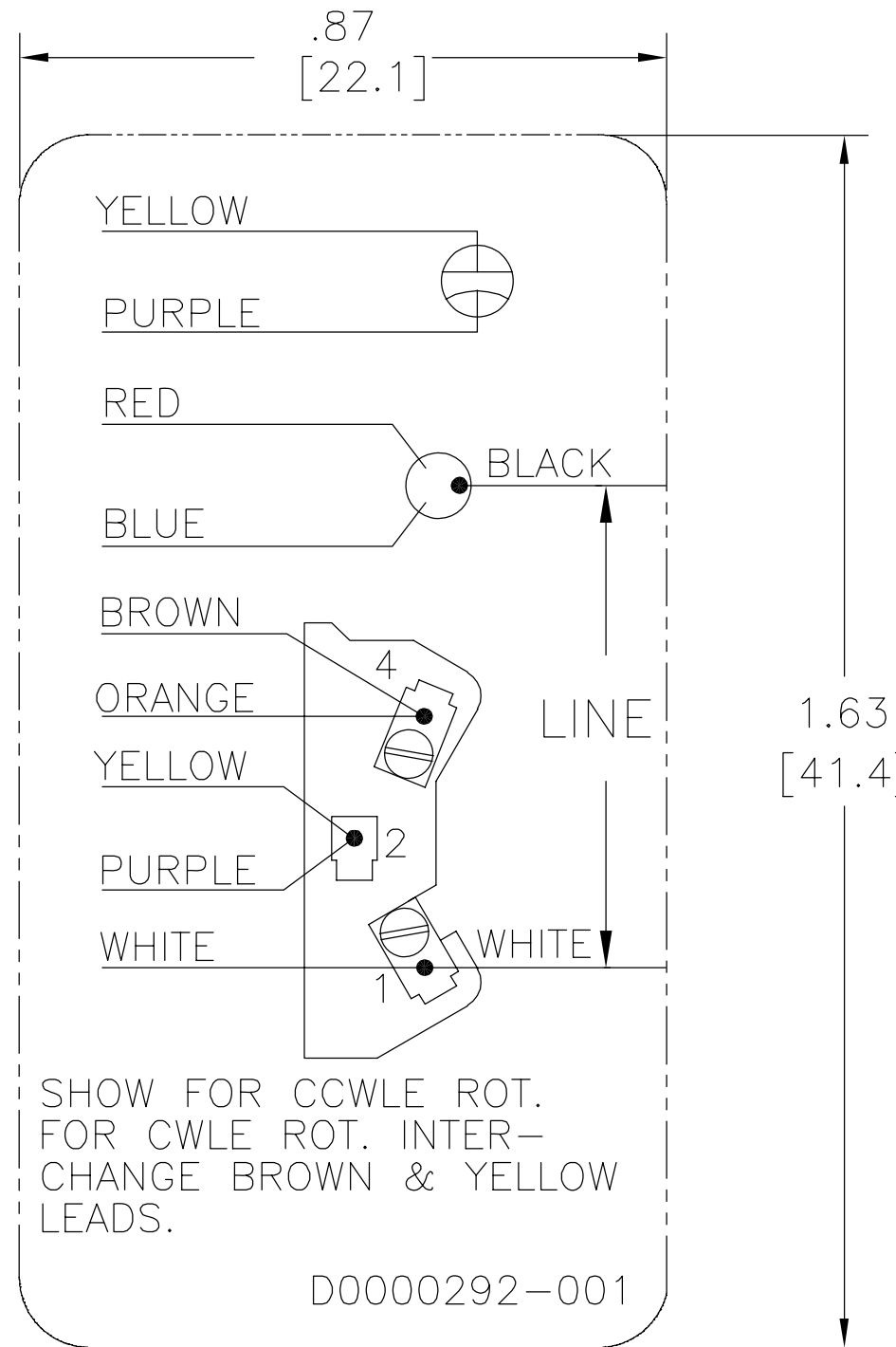
MACHINE SURFACES:  
INCH 125 mm 3.2

METRIC DIMS. SHOWN IN [BRACKETS]

DR BY:	L. Grado	02-05-2009
APPD:	C. Contreras	02-05-2009
THIRD ANGLE PROJECTION		EDS DATE 02-22-2008 FORMAT REV F
CONFIDENTIAL: THIS DRAWING AND ITS INFORMATION ARE THE EXCLUSIVE AND CONFIDENTIAL PROPERTY OF A.O. SMITH CORP. AND ARE NOT TO BE DISCLOSED, DUPLICATED, DISTRIBUTED OR OTHERWISE USED WITHOUT THE WRITTEN CONSENT OF A.O. SMITH CORP. -ALL RIGHTS RESERVED. ASME Y14.5M 1994		

 Innovation has a name.		<b>ELECTRICAL PRODUCTS COMPANY</b> <small>A DIVISION OF A. O. SMITH CORPORATION</small>	
DESCRIPTION CONN DIAGRAM-EXTERNAL			
SIZE A	DWG NO D0000292-001		
SCALE NONE			SHEET 1

REVISION:	ECO	REVISADO POR:	FECHA:	APROBADO POR:	FECHA:
A	0016130	JESUS MENA	11-17-2010	SAMUEL JIMENEZ	11-17-2010



NOTAS:

1. PARA USAR CON 614129 PLACA DE DATOS EN BLANCO.
2. — — — — — INDICA LIMITES DE DIMENSION
3. EL MOLDE DEBE ESTAR HECHO DESDE EL PROVEEDOR PRINCIPAL POR A. O. SMITH CORPORATION
4. EL MOLDE DEBE PRODUCIR UNA IMPRESION LEGIBLE.

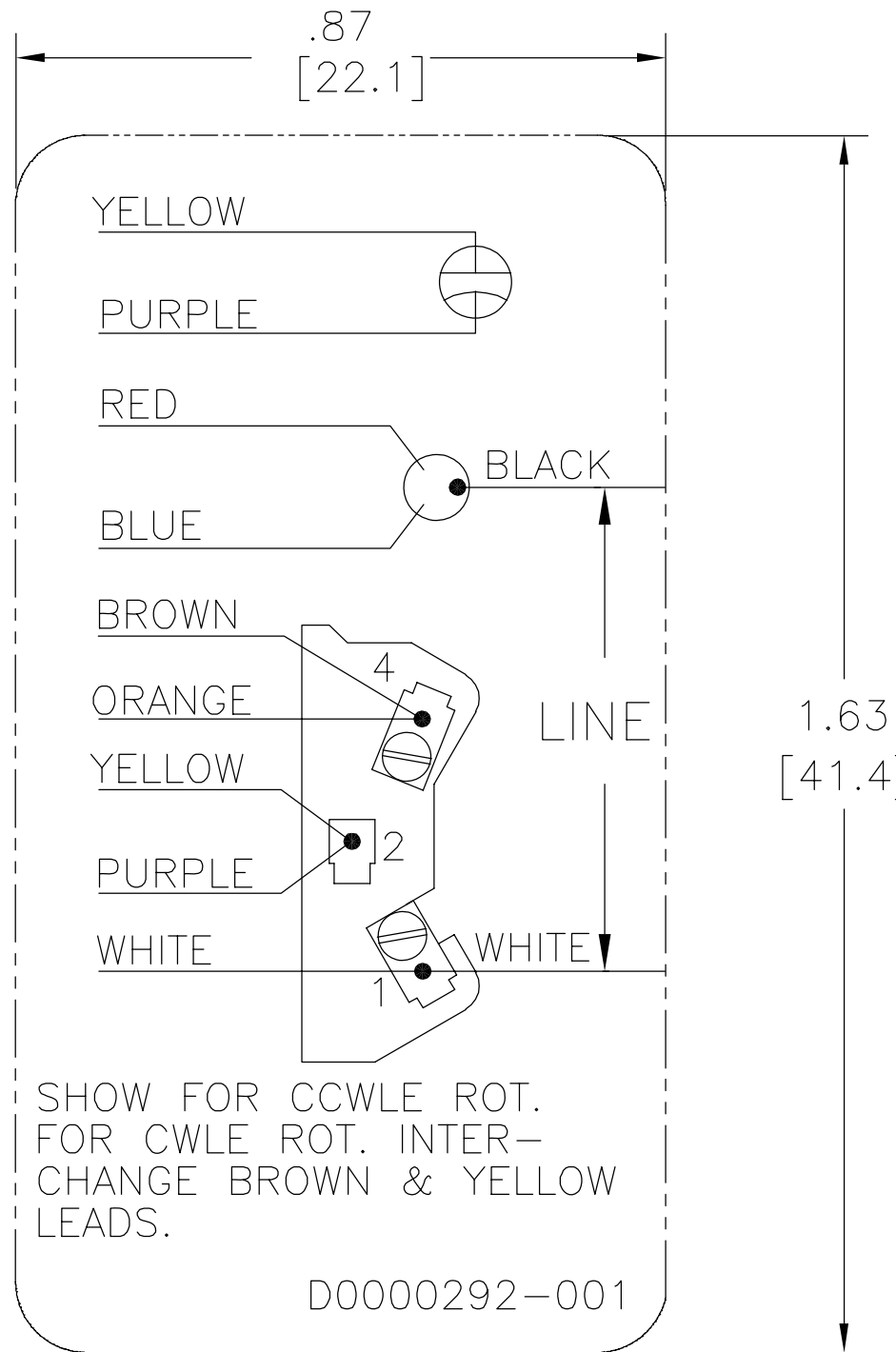
<p>CARACTERISTICAS DE GEOMETRIA Y SIMBOLOS</p> <p>□ PLANICIDAD</p> <p>— RECTITUD</p> <p>∠ ANGULARIDAD</p> <p>⊥ PERPENDICULARIDAD (A ESCUADRA)</p> <p>// PARALELISMO</p> <p>○ REDONDEZ (CIRCULARIDAD)</p> <p>⊘ CILINDRICIDAD</p> <p>⊖ PERFIL DE CUALQUIER SUPERFICIE</p> <p>⊖ PERFIL DE CUALQUIER LINEA</p> <p>↑ VARIACION</p> <p>⊕ POSICION REAL</p> <p>◎ CONCENTRICIDAD</p> <p>≡ SIMETRIA</p>
--

<p>A MENOS QUE SE ESPECIFIQUE DE OTRA MANERA, LAS TOLERANCIAS DE LAS DIMS; SON LAS SIGUIENTES:</p> <p>PULG ±.1 ±.02 ±.005 ±.0005</p> <p>mm ±0.5 ±0.13 ±0.013</p> <p>ANG. ±.50 GRADOS</p> <p>ELIMINAR REBABAS Y ORILLAS FILOSAS DEL BORDE.</p> <p>PULG .003-.015 mm 0.1-0.4</p> <p>FILETEAR ESQUINA: PULG .020 mm 0.5</p> <p>MAQUINAR SUPERFICIES</p> <p>PULG 125 mm 3.2</p> <p>DIMS METRICAS MOSTRADAS [PARENTESIS]</p>
---

DIBUJADO POR:	L. Grado	02-05-2009
APROBADO POR:	C. Contreras	02-05-2009
TERCER ANGULO DE PROYECCION	⊕	FECHA EDS: 02-22-2008
		REV. FORMATO: F
<p>CONFIDENCIAL: ESTE DIBUJO Y SU INFORMACION SON PROPIEDAD DE USO EXCLUSIVO Y CONFIDENCIAL DE A.O.SMITH CORP. Y NO DEBERAN SER REVELADOS, DUPLICADOS, DISTRIBUIDOS O USARSE DE OTRA MANERA SIN EL CONSENTIMIENTO ESCRITO DE A.O. SMITH CORP. -TODOS LOS DERECHOS RESERVADOS.ASME Y14.5M 1994</p>		

		<p><b>ELECTRICAL PRODUCTS COMPANY</b></p> <p>A DIVISION OF A. O. SMITH CORPORATION</p>	
DESCRIPCION:			
CONN DIAGRAM-EXTERNAL			
TAMAÑO:	A	NUMERO DE DIBUJO:	D0000292-001
ESCALA:	NONE	HOJA:	1

??	ECO	??	??	??
A	0016130	JESUS MENA	11-17-2010	SAMUEL JIMENEZ 11-17-2010



□ ???  
 - ???  
 < ???  
 ⊥ ???  
 // ???  
 ○ ???  
 ∅ ???  
 △ ???  
 ∩ ???  
 ↑ ???  
 ⊕ ???  
 ⊙ ???  
 = ???

?????  
 ??????  
 ?? X XX XXX XXXX  
 ?? ±.1 ±.02 ±.005 ±.0005  
 ?? ±0.5 ±0.13 ±0.013  
 ?? ±.50 ?  
 ??????  
 ?? .003-.015 ?? 0.1-0.4  
 ???  
 ?? .020 ?? 0.5  
 ?????  
 ?? 125 ?? 3.2  
 ??????[ ]

??:	L. Grado	02-05-2009
??:	C. Contreras	02-05-2009
?????	⊕	?????? 02-22-2008
		????? F
??:	????????????A.O.SMITH?????	
??:	??A.O.SMITH????????????????????	
?????	?????--?????	
	ASME Y14.5M 1994	

		<b>ELECTRICAL PRODUCTS COMPANY</b> <small>A DIVISION OF A. O. SMITH CORPORATION</small>	
CONN DIAGRAM-EXTERNAL			
??	A	??	D0000292-001
??	NONE	??	1