

PRODUCT INFORMATION PACKET



Model No: 48A
Catalog No: 48A
1/20 HP Ventilation Motor, 1050 RPM, 115 Volts, 4.3" Diameter, OAO
Ventilation Motors



Regal and Century are trademarks of Regal Rexnord Corporation or one of its affiliated companies.
©2021 Regal Rexnord Corporation, All Rights Reserved. MC017097E





Nameplate Specifications

Output HP	1/20 Hp	Output KW	0.04 kW
Frequency	60 Hz	Voltage	115 V
Current	2.1 A	Speed	1050 rpm
Service Factor	1	Phase	1
Duty	Continuous Air Over	Insulation Class	A
Frame	4.4	Enclosure	Open Air Over
Thermal Protection	Automatic	Ambient Temperature	40 °C
UL	Recognized	CSA	N
CE	Y	Number of Speeds	1

Technical Specifications

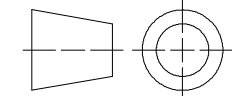
Electrical Type	Shaded Pole	Starting Method	Across The Line
Poles	6	Rotation	Clockwise Shaft End
Mounting	Extended Studs	Drive End Bearing	Sleeve
Opp Drive End Bearing	Sleeve	Frame Material	N/A
Shaft Type	Flat	Frame Length	3.50 in
Shaft Diameter	0.375 in	Shaft Extension	2.54 in
Outline Drawing	48A-S01		

This is an uncontrolled document once printed or downloaded and is subject to change without notice. Date Created:10/07/2021



PROPRIETARY INFORMATION NOTICE: THIS DOCUMENT IS AND CONTAINS CONFIDENTIAL TRADE SECRET INFORMATION OF THE COMPANY AND REMAINS THE PROPERTY OF THE COMPANY AND IS TO BE RETURNED UPON REQUEST. NEITHER IT NOR THE INFORMATION IT CONTAINS MAY BE REPRODUCED OR DISCLOSED TO PERSONS NOT HAVING A NEED-TO-KNOW CONSISTENT WITH THE PURPOSE OF THE LOAN OF THE DOCUMENT.

THIRD ANGLE PROJECTION



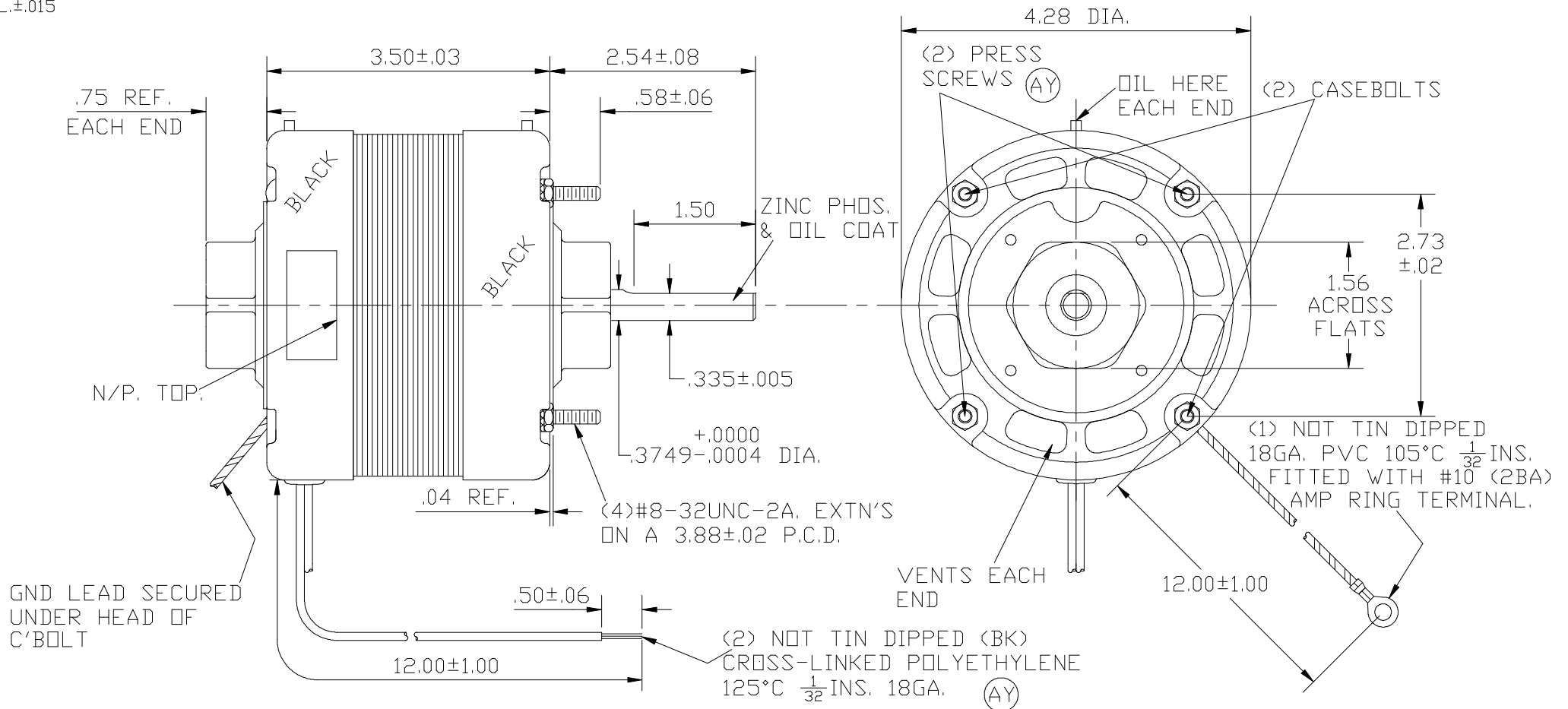
48A

Gainsborough, Lincs DN21 1XU. UK
Tel.: +44(0)1427 614141 Fax.: +44(0)1427 617513

CUSTOMER IS SOLELY RESPONSIBLE FOR MOTOR PERFORMANCE AND SUITABILITY IN APPLICATIONS FOR CUSTOMER'S USES.

ENDPLAY .04 MAX.

TOL.±.015



ALL DIMENSIONS IN INCHES UNLESS STATED.

ELEC. AS SAMPLE P03172

ROTATION CCWLE-CWSE

ISSUE 'BC' 12 JUL 12

REGAL - LAVERGNE



NAMEPLATE DATA:

E46412
 SER DDDYYGB-sonum-G635 MOD CA3G635N# STOCK No 48A
 115V 60HZ 2.1A 1/20HP 1050RPM 1PH
 CONT A.O. ←
 THERMALLY PROTECTED. MADE IN UK. WARRANTY VOID IF REMOVED