

PRODUCT INFORMATION PACKET



Model No: 494B

Catalog No: 494B

Fan and Blower Motor, 1/6 HP, 1 Ph, 60 Hz, 115/208-230 V, 1050 RPM, 1 Speed, 48 Frame,
SEMI ENCLOSED



Regal and Century are trademarks of Regal Rexnord Corporation or one of its affiliated companies.
©2022 Regal Rexnord Corporation, All Rights Reserved. MC017097E





Nameplate Specifications

Output HP	1/6 Hp	Output KW	0.13 kW
Frequency	60 Hz	Voltage	115/208-230 V
Current	3.3/1.5-1.7 A	Speed	1050 rpm
Service Factor	1	Phase	1
Duty	Air Over	Insulation Class	B
Frame	48Y	Enclosure	Semi Enclosed
Thermal Protection	Automatic	Ambient Temperature	40 °C
UL	Recognized	CSA	Y
CE	N	Number of Speeds	1

Technical Specifications

Electrical Type	Permanent Split Capacitor	Starting Method	Across The Line
Poles	6	Rotation	Counterclockwise Lead End
Mounting	Resilient Rings	Motor Orientation	Horizontal
Drive End Bearing	Sleeve	Opp Drive End Bearing	Sleeve
Frame Material	Rolled Steel	Shaft Type	Flat
Overall Length	8.70 in	Frame Length	3.38 in
Shaft Diameter	0.500 in	Shaft Extension	4.05 in
Connection Drawing	614131-370	Outline Drawing	F48Z79A01-S01

This is an uncontrolled document once printed or downloaded and is subject to change without notice. Date Created:11/28/2022

4

3

2

1

REV	REFERENCE ECN	REFERENCE PROJECT	REV BY	DATE	APPD	DATE
A	03383201	0702057	Jeff	08-02-2007	cbranh	08-02-2007

GENERAL INFORMATION:

SHAFT RUNOUT: .001 [.03] T.I.R. PER INCH LENGTH OF EXTENSION

END PLAY: .010 TO .063 [.25 TO 1.60]

BEARINGS: SLEEVE

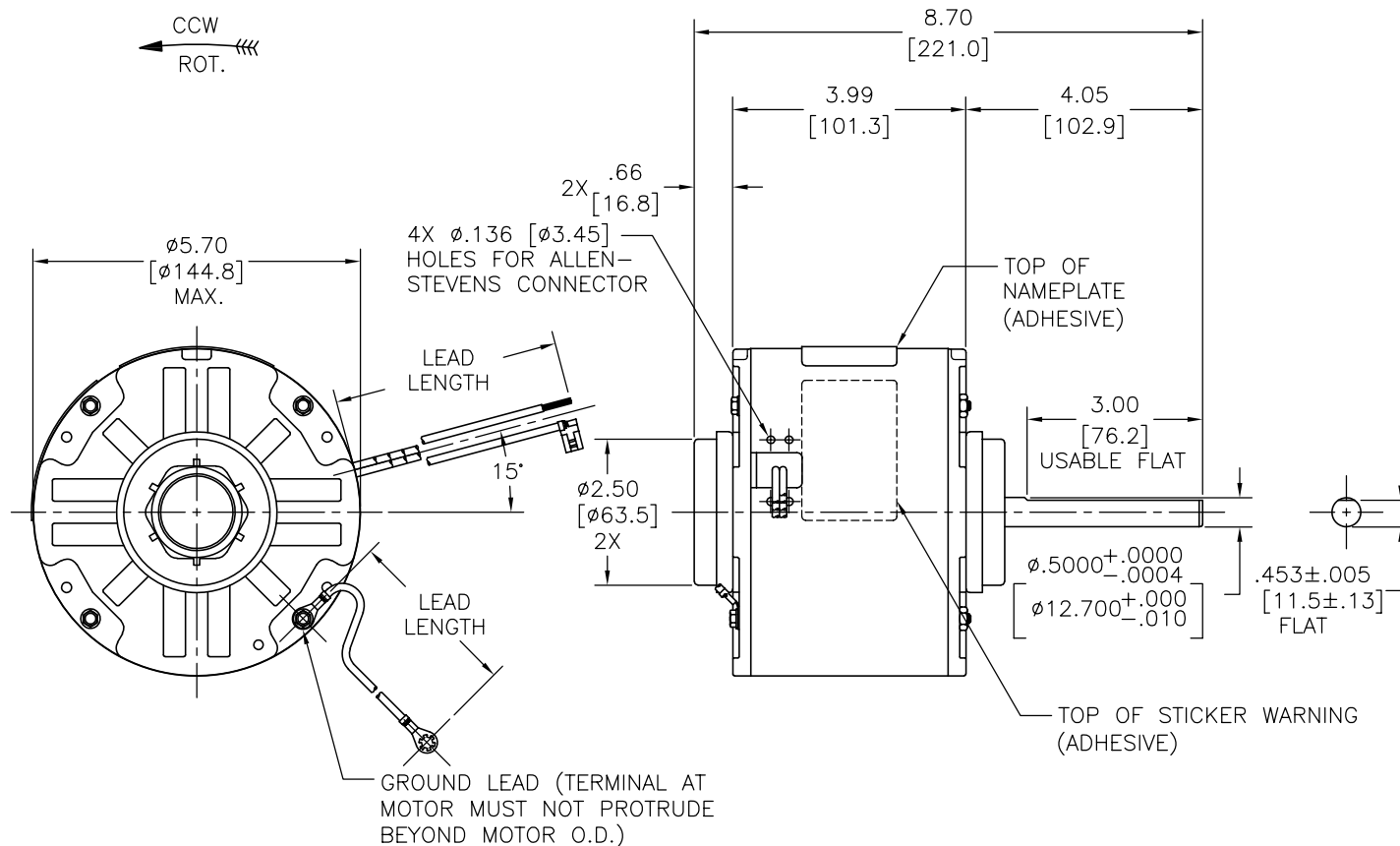
MOUNTING POSITION: HORIZONTAL

ELECTRICAL DATA:

OVERLOAD PROTECTOR: AUTOMATIC RESET (T.I. 7AM 036)

LEADS: NO. 18 GA., .03 [.8] THK. XLP 125°C INSUL.

GROUND LEAD: NO. 16 GA., .03 [.8] THK. (GREEN/YELLOW) INSUL.



NAMEPLATE DATA:	EXTERNAL CONNECTION DIAGRAM																												
MODEL NO.: F48Z79A01 CUST. P/N: 494B HP: 1/6 ROT.: CCWLE RPM: 1050 TYPE: UF FRAME: 48Y VOLTS: 115/208-230 PH: 1 AMPS: 3.3/1.5-1.7 HZ: 60 INS.: B AMB.: 40° C DUTY: AIR OVER CAP.: 5 MFD/370 V ENCL: SEMI-ENCL. UL LOGO CSA LOGO THERMALLY PROTECTED	<table border="0"> <tr> <td>BROWN</td> <td>SEP. CAP.</td> </tr> <tr> <td>BRN/WHT</td> <td>⊕</td> </tr> <tr> <td>BLACK</td> <td></td> </tr> <tr> <td>BLUE</td> <td></td> </tr> <tr> <td>RED</td> <td>115 V</td> </tr> <tr> <td>PURPLE</td> <td>LINE</td> </tr> <tr> <td>WHITE</td> <td></td> </tr> </table> <table border="0"> <tr> <td>BROWN</td> <td>SEP. CAP.</td> </tr> <tr> <td>BRN/WHT</td> <td>⊕</td> </tr> <tr> <td>BLACK</td> <td></td> </tr> <tr> <td>WHITE</td> <td></td> </tr> <tr> <td>BLUE</td> <td>230 V</td> </tr> <tr> <td>RED</td> <td>LINE</td> </tr> <tr> <td>PURPLE</td> <td></td> </tr> </table> <p>614131-370</p>	BROWN	SEP. CAP.	BRN/WHT	⊕	BLACK		BLUE		RED	115 V	PURPLE	LINE	WHITE		BROWN	SEP. CAP.	BRN/WHT	⊕	BLACK		WHITE		BLUE	230 V	RED	LINE	PURPLE	
BROWN	SEP. CAP.																												
BRN/WHT	⊕																												
BLACK																													
BLUE																													
RED	115 V																												
PURPLE	LINE																												
WHITE																													
BROWN	SEP. CAP.																												
BRN/WHT	⊕																												
BLACK																													
WHITE																													
BLUE	230 V																												
RED	LINE																												
PURPLE																													

GREEN/YELLOW (GROUND)	11.0/13.0 [279/330]	#10 EYELET
BROWN	29.0/31.0 [737/787]	.25 [6.4] FLAG
BROWN/WHITE	29.0/31.0 [737/787]	.25 [6.4] FLAG
BLACK	29.0/31.0 [737/787]	.50 [12.7] SKIN
WHITE	29.0/31.0 [737/787]	.50 [12.7] SKIN
BLUE	29.0/31.0 [737/787]	.50 [12.7] SKIN
RED	29.0/31.0 [737/787]	.50 [12.7] SKIN
PURPLE	29.0/31.0 [737/787]	.50 [12.7] SKIN
COLOR	LENGTH	TERMINAL OR STRIP LENGTH

MAIN FRAME - OLE	ENCLOSED
END FRAME - OLE	OPEN
MAIN FRAME - LE	ENCLOSED
END FRAME - LE	OPEN

CUSTOMER	DISTRIBUTION SERVICE
----------	----------------------

PERFORMANCE CURVE NO.	TORQUE @ 1050 RPM (25°C)	APPROVED SAMPLE	UL COMPONENT FILE #	CCN #	CSA FILE #	CLASS #
C32746	18.9 OZ. FT.	0701092A	E46412	PRGY2	LR43341	4211-01

GEOMETRIC CHARACTERISTICS & SYMBOLS

- ▮ FLATNESS
- STRAIGHTNESS
- ∠ ANGULARITY
- ⊥ PERPENDICULARITY (SQUARENESS)
- // PARALLELISM
- ROUNDNESS (CIRCULARITY)
- ⊘ CYLINDRICITY
- △ PROFILE OF ANY SURFACE
- ▽ PROFILE OF ANY LINE
- ↗ RUNOUT
- ⊕ TRUE POSITION
- ◎ CONCENTRICITY
- ≡ SYMMETRY

A.O. SMITH PROVIDES TECHNICAL ASSISTANCE TO OUR CUSTOMERS IN SEVERAL AREAS. SINCE A.O. SMITH DOES NOT RECEIVE ALL DATA CONCERNING THE USE AND APPLICATION OF THE MOTOR, THE SUITABILITY OF THE MOTOR FOR THE APPLICATION MUST BE DETERMINED BY THE CUSTOMER.

DIMENSIONS WITHOUT TOLERANCES ARE FOR REFERENCE ONLY.

DR BY: jrupert 08-02-2007

APPD: cbranh 08-02-2007

THIRD ANGLE PROJECTION

EDS DATE 01-21-2007

FORMAT REV E

CONFIDENTIAL: THIS DRAWING AND ITS INFORMATION ARE THE EXCLUSIVE AND CONFIDENTIAL PROPERTY OF A.O. SMITH CORP. AND ARE NOT TO BE DISCLOSED, DUPLICATED, DISTRIBUTED OR OTHERWISE USED WITHOUT THE WRITTEN CONSENT OF A.O. SMITH CORP.

-ALL RIGHTS RESERVED. ASME Y14.5M 1994

A.O. SMITH A DIVISION OF A. O. SMITH CORPORATION

ELECTRICAL PRODUCTS COMPANY TIPP CITY, OHIO

DESCRIPTION: **OUTLINE**

SIZE: C DWG NO: F48Z79A01

SCALE: NONE SHEET: 1

4

3

2

1

4

3

2

1

REVISION:	ECN REFERENCIA:	PROYECTO REFERENCIA:	REVISADO POR:	FECHA:	APROBADO POR:	FECHA:
A	03383201	0702057	Jeff	08-02-2007	cbranh	08-02-2007

INFORMACION GENERAL:

OSCILACION DE FLECHA: .001 [.03] T.I.R. PER INCH LENGTH OF EXTENSION

JUEGO AXIAL: .010 A .063 [.25 A 1.60]

BALEROS: CHUMACERA RIGIDA

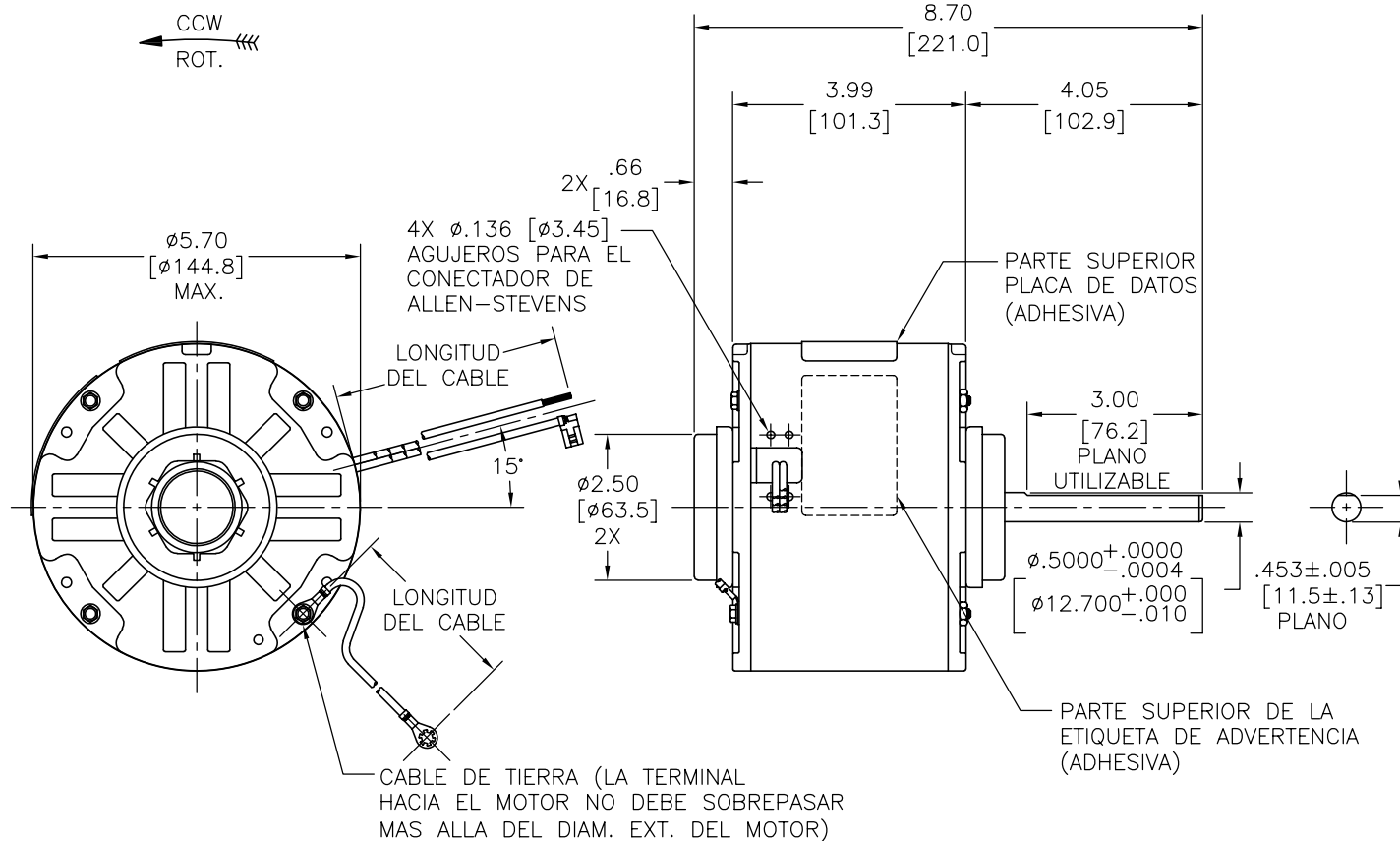
POSICION DEL MONTAJE: HORIZONTAL

INFORMACION ELECTRICA:

PROTECTOR DE SOBRECARGA: REINICIO AUTOMATIC (T.I. 7AM 036)

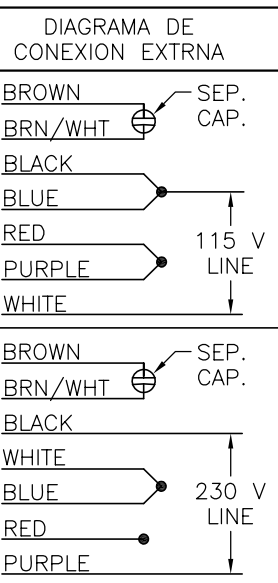
CABLES: NO. 18 GA., .03 [.8] THK. XLP 125°C AISLAM.

CABLE DE TIERRA: NO. 16 GA., .03 [.8] THK. (VERDE/AMARILLO) AISLAM.



INFORMACION DE ETIQUETA:

MODEL NO.: F48Z79A01
 CUST. P/N: 494B
 HP: 1/6
 ROT.: CCWLE
 RPM: 1050
 TYPE: UF
 FRAME: 48Y
 VOLTS: 115/208-230
 PH: 1
 AMPS: 3.3/1.5-1.7
 HZ: 60
 INS.: B
 AMB.: 40° C
 DUTY: AIR OVER
 CAP.: 5 MFD/370 V
 ENCL: SEMI-ENCL.
 UL LOGO
 CSA LOGO
 THERMALLY PROTECTED



614131-370

VERDE/AMARILLO (TIERRA)	11.0/13.0 [279/330]	OJAL #10
CAFE	29.0/31.0 [737/787]	.25 [6.4] BANDERA
CAFE/BLANCO	29.0/31.0 [737/787]	.25 [6.4] BANDERA
NEGRO	29.0/31.0 [737/787]	.50 [12.7] DEL PIEL
BLANCO	29.0/31.0 [737/787]	.50 [12.7] DEL PIEL
AZUL	29.0/31.0 [737/787]	.50 [12.7] DEL PIEL
ROJO	29.0/31.0 [737/787]	.50 [12.7] DEL PIEL
PURPURA	29.0/31.0 [737/787]	.50 [12.7] DEL PIEL
COLOR	LONGITUD	TERMINAL O LONGITUD DE DESFORRE

CARCASA - LOC	ENCERRADO
TAPA - LOC	ABIERTA
CARCASA - LC	ENCERRADO
TAPA - LC	ABIERTA

CLIENTE	DISTRIBUTION SERVICE
---------	----------------------

CURVAS DE FUNCIONAMIENTO	TORSION @ 1050 RPM (25°C)	MUESTRA APROBADA	COMPONENTE UL	CSA
C32746	18.9 OZ. FT.	0701092A	#ARCHIVO PRGY2 LR43341	CLASE # 4211-01

CARACTERISTICAS DE GEOMETRIA Y SIMBOLOS
 ▽ PLANICIDAD
 — RECTITUD
 ∠ ANGULARIDAD
 ⊥ PERPENDICULARIDAD (A ESCUADRA)
 // PARALELISMO
 ○ REDONDEZ (CIRCULARIDAD)
 ∅ CILINDRICIDAD
 △ PERFIL DE CUALQUIER SUPERFICIE
 ∩ PERFIL DE CUALQUIER LINEA
 ↗ VARIACION
 ⊕ POSICION REAL
 ⊙ CONCENTRICIDAD
 = SIMETRIA

A.O. SMITH PROVEE ASISTENCIA TECNICA A NUESTROS CLIENTES EN VARIAS AREAS. DESDE QUE A.O. SMITH NO RECIBE TODOS LOS DATOS EN RELACION AL USO Y A LA APLICACION DEL MOTOR, LA APLICACION ADECUADA DEL MOTOR DEBE SER DETERMINADA POR EL CLIENTE.

DIMENSIONES SIN TOLERANCIA SON DE REFERENCIA SOLAMENTE

DIBUJADO POR:	08-02-2007
APROBADO POR:	08-02-2007
TERCER ANGULO DE PROYECCION	FECHA EDS: 01-21-2007
	REV. FORMATO: E
CONFIDENCIAL: ESTE DIBUJO Y SU INFORMACION SON PROPIEDAD DE USO EXCLUSIVO Y CONFIDENCIAL DE A.O. SMITH CORP. Y NO DEBERAN SER REVELADOS, DUPLICADOS, DISTRIBUIDOS O USARSE DE OTRA MANERA SIN EL CONSENTIMIENTO ESCRITO DE A.O. SMITH CORP. -TODOS LOS DERECHOS RESERVADOS. ASME Y14.5M 1994	

A.O. SMITH ELECTRICAL PRODUCTS COMPANY TIPP CITY, OHIO A DIVISION OF A. O. SMITH CORPORATION COPYRIGHT 1995	
DESCRIPCION: OUTLINE	
TAMAÑO: C	NUMERO DE DIBUJO: F48Z79A01
ESCALA: NONE	HOJA: 1

4

3

2

1

