

PRODUCT INFORMATION PACKET



Model No: 513A
Catalog No: 513A

OEM Replacement Motor, 1/6,1/8,1/10 HP, 1 Ph, 60 Hz, 208-230 V, 1040 RPM, 3 Speed, 48 Frame, TEAO



Regal and Century are trademarks of Regal Rexnord Corporation or one of its affiliated companies.
©2025 Regal Rexnord Corporation, All Rights Reserved. MC017097E





Nameplate Specifications

Phase	1	Output HP	1/6,1/8,1/10 Hp
Output KW	0.13 kW	Voltage	208-230 V
Speed	1040 rpm	Service Factor	1.0
Frame	F48Y	Enclosure	Totally Enclosed Air Over
Thermal Protection	Automatic	Ambient Temperature	60 °C
Frequency	60 Hz	Current	1.3,0.8,0.6 A
Duty	Air Over	Insulation Class	B
UL	Recognized	CSA	Y
CE	N	Number of Speeds	3

Technical Specifications

Electrical Type	Permanent Split Capacitor	Starting Method	Across The Line
Poles	6	Rotation	Clockwise Lead End
Mounting	Lug	Motor Orientation	Horizontal
Drive End Bearing	Sleeve	Opp Drive End Bearing	Sleeve
Frame Material	Rolled Steel	Shaft Type	Flat
Overall Length	13.00 in	Frame Length	3.25 in
Shaft Diameter	0.500 in	Shaft Extension	7.0 X 0.5 X 2.14 in
Connection Drawing	614131-015	Outline Drawing	F48Z44A01-S01

This is an uncontrolled document once printed or downloaded and is subject to change without notice. Date Created:02/10/2025

REV	REFERENCE ECN	REFERENCE PROJECT	REV BY	DATE	APPD	DATE
B		03365601	Teresi	08-27-2007	CContr	09-04-2007

GENERAL INFORMATION:

SHAFT RUNOUT: .001[.03] T.I.R. PER INCH LENGTH OF EXTENSION.

END PLAY: .010[.25] TO .063[1.60]

BEARINGS: SLEEVE

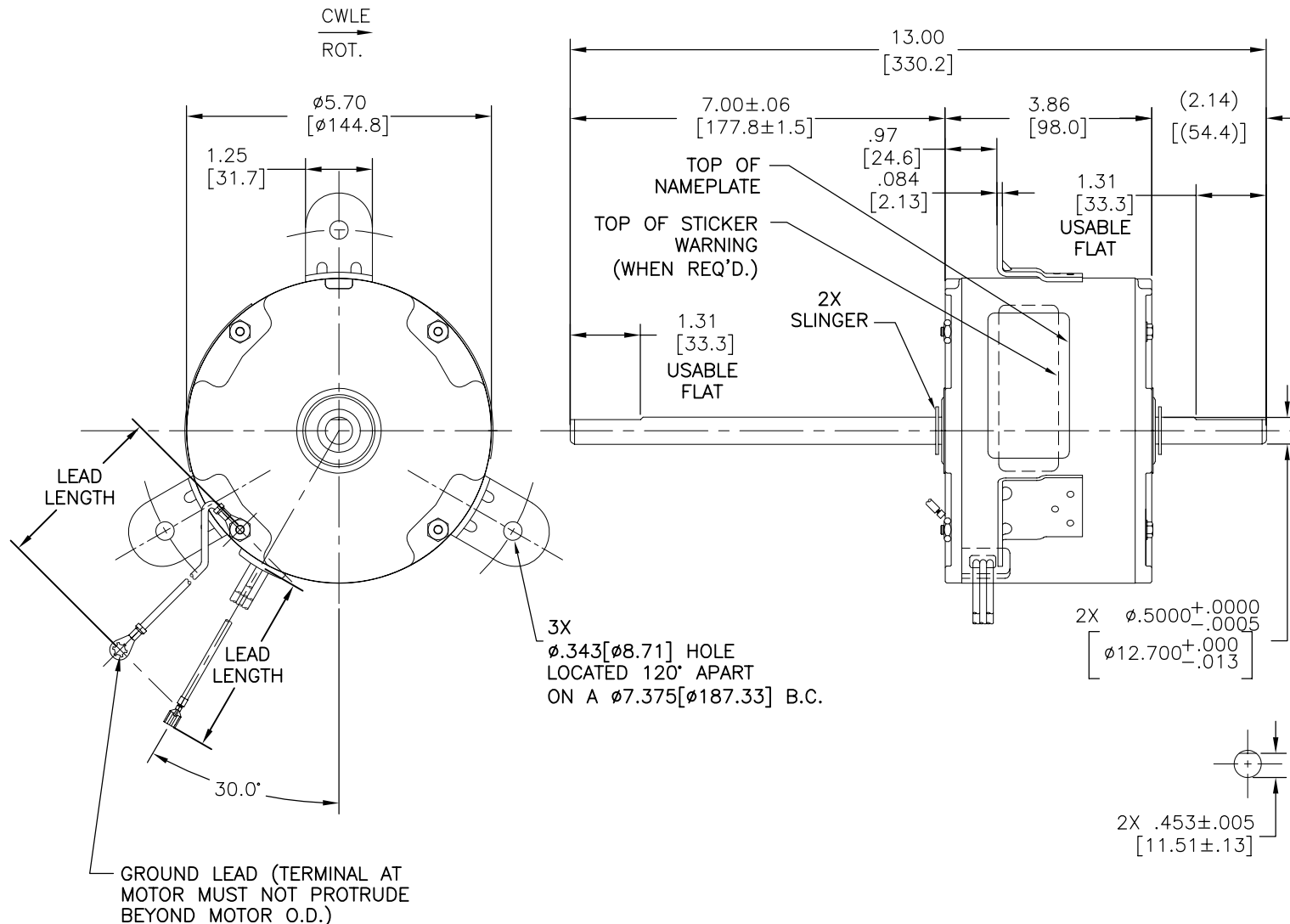
MOUNTING: HORIZONTAL
POSITION:

ELECTRICAL DATA:

OVERLOAD PROTECTOR: AUTOMATIC RESET (T.I. 7AM 036)

LEADS: NO. 18 GA. , .06[1.5] THK. PVC 105°C INSUL.

GROUND LEAD: NO. 18 GA. , .03[.8] THK. ,(GREEN/YELLOW) INSUL.



GRN/YEL(GRD)	5.5/6.5 [140/165]	#10 EYELET
BLACK	50.0/52.0 [1270/1321]	.25[6.4] FEMALE SPADE
BLUE	50.0/52.0 [1270/1321]	.25[6.4] FEMALE SPADE
RED	50.0/52.0 [1270/1321]	.25[6.4] FEMALE SPADE
BROWN	37.0/39.0 [940/991]	.25[6.4] FEMALE SPADE
WHITE	37.0/39.0 [940/991]	.25[6.4] FEMALE SPADE
COLOR	LENGTH	TERMINAL OR STRIP LENGTH

ENCLOSURE	
MAIN FR.-OLE	ENCLOSED
END FR.-OLE	ENCLOSED
MAIN FR.-LE	ENCLOSED
END FR.-LE	ENCLOSED

NAMEPLATE DATA:	EXTERNAL CONNECTION DIAGRAM
MODEL: F48Z44A01 CUST. P/N: 513A HP: 1/6,1/8,1/10 ROT: CWLE RPM: 1040/ 3 SPD TYPE: UF FRAME: 48Y VOLTS: 208-230 PH: 1 AMPS: 1.3, 0.8, 0.6 HZ: 60 INS: B AMB: 60°C DUTY: AIR OVER CAP.: 3 MFD/370 V ENCL: ENCLOSED CSA LOGO UL LOGO THERMALLY PROTECTED	

PERFORMANCE CURVE NO.	TORQUE @1040 RPM (25°C)	APPROVED SAMPLE	UL COMPONENT FILE#	CSA GUIDE#
C32715	16.4	0604303B	E46412	260-φ-0

GEOMETRIC CHARACTERISTICS & SYMBOLS
 ▽ FLATNESS
 - STRAIGHTNESS
 < ANGLARITY
 ⊥ PERPENDICULARITY (SQUARENESS)
 // PARALLELISM
 ○ ROUNDNESS (CIRCULARITY)
 ∅ CYLINDRICITY
 △ PROFILE OF ANY SURFACE
 ▽ PROFILE OF ANY LINE
 ↗ RUNOUT
 ⊕ TRUE POSITION
 ⊙ CONCENTRICITY
 ≡ SYMMETRY

UNLESS OTHERWISE SPECIFIED DIM. TOLERANCES ARE AS FOLLOWS:
 INCH X XX XXX XXXX
 mm ±0.5 ±0.13 ±0.013
 ANG. ±.50 DEG
 REMOVE BURRS & BREAK SHARP EDGES:
 INCH .003-.015 mm 0.1-0.4
 CORNER FILLETS TO:
 INCH .020 mm 0.5
 MACHINE SURFACES:
 INCH 125 mm 3.2
 METRIC DIMS. SHOWN IN [BRACKETS]

DR BY: Ralf.Chen 06-12-2007
 APPD:
 THIRD ANGLE PROJECTION
 EDS DATE 01-21-2007
 FORMAT REV E
 CONFIDENTIAL: THIS DRAWING AND ITS INFORMATION ARE THE EXCLUSIVE AND CONFIDENTIAL PROPERTY OF A.O. SMITH CORP. AND ARE NOT TO BE DISCLOSED, DUPLICATED, DISTRIBUTED OR OTHERWISE USED WITHOUT THE WRITTEN CONSENT OF A.O. SMITH CORP.
 -ALL RIGHTS RESERVED. ASME Y14.5M 1994

A.O. SMITH ELECTRICAL PRODUCTS COMPANY TIPP CITY, OHIO		A DIVISION OF A. O. SMITH CORPORATION COPYRIGHT 1995	
DESCRIPTION: OUTLINE			
SIZE: C	DWG NO: F48Z44A01		
SCALE: NONE			SHEET 1

4

3

2

1

REVISION: B	ECN REFERENCIA:	PROYECTO REFERENCIA: 03365601	REVISADO POR: Teresi	FECHA: 08-27-2007	APROBADO POR: CContr	FECHA: 09-04-2007
-------------	-----------------	-------------------------------	----------------------	-------------------	----------------------	-------------------

INFORMACION GENERAL:

OSCILAMIENTO DE FLECHA: .001[.03] L.T.I. DE EXTENSION DE FLECHA POR PULG.

JUEGO AXIAL: .010[.25] A .063[1.60]

BALEROS: MANGA

POSICION DE MONTAJE: HORIZONTAL

INF. ELECTRICA:

SOBRECARGA DEL PROTECTOR: REINICIO AUTOMATICO (T.I. 7AM 036)

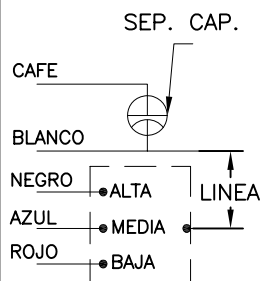
CABLES: CAL. NO. 18, .06[1.5] DE ESP. PVC 105°C DE AISL.

CABLE DE TIERRA: CAL. NO. 18, .03[.8] DE ESP. ,(VERDE/AMARILLO) AISL.

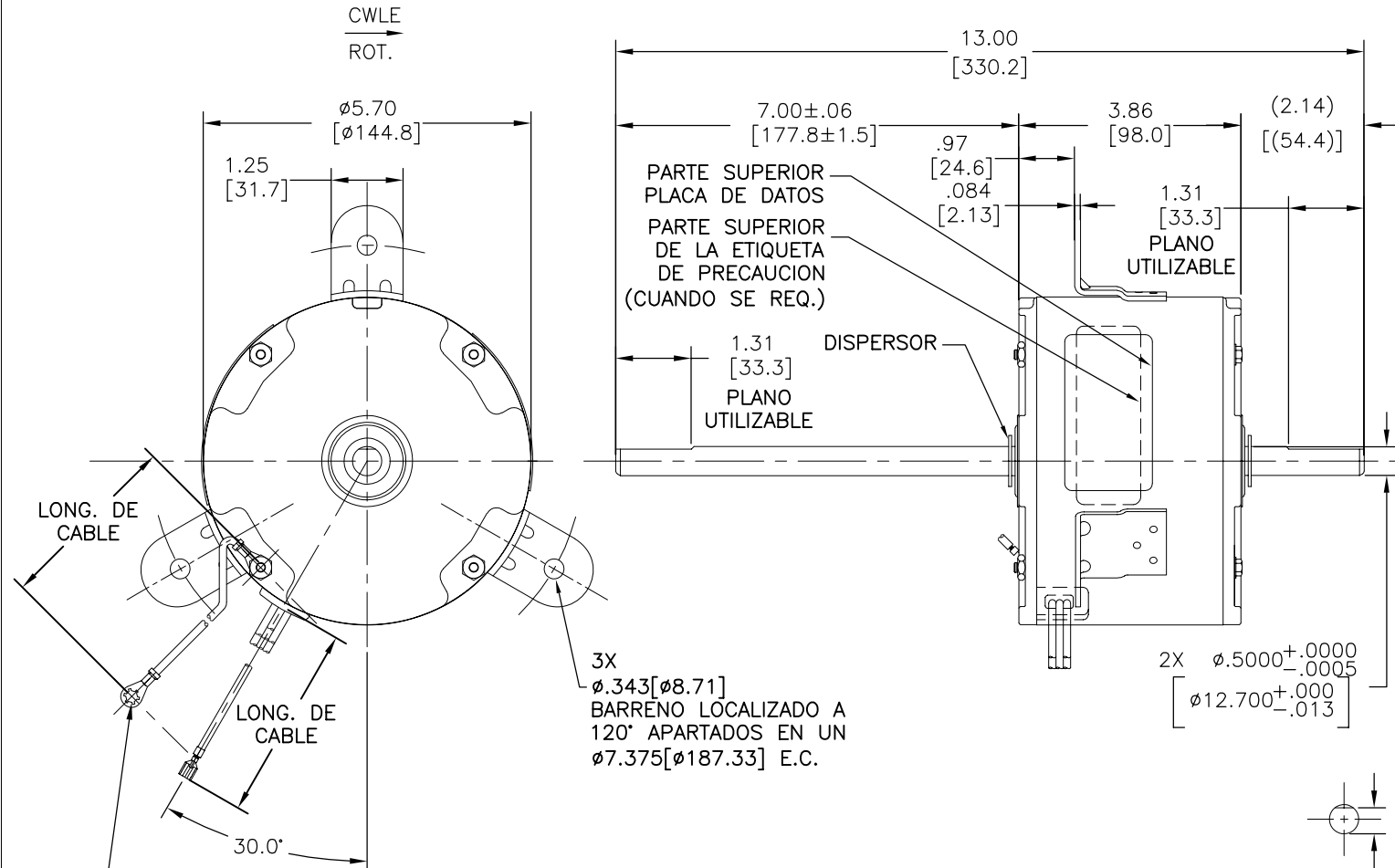
INF. PLACA DE DATOS:

MODEL: F48Z44A01
 CUST. P/N: 513A
 HP: 1/6,1/8,1/10
 ROT: CWLE
 RPM: 1040/ 3 SPD
 TYPE: UF
 FRAME: 48Y
 VOLTS: 208-230
 PH: 1
 AMPS: 1.3, 0.8, 0.6
 HZ: 60
 INS: B
 AMB: 60°C
 DUTY: AIR OVER
 CAP.: 3 MFD/370 V
 ENCL: ENCLOSED
 CSA LOGO
 UL LOGO
 THERMALLY PROTECTED

DIAGRAMA DE CONEXION EXTERNA



CURVA DE FUNCIONAMIENTO	TORSION @1040 RPM (25°C)	MUESTRA APROBADA	COMPONENTE UIL	CSA
C32715	16.4	0604303B	ARCH# PRGY2	LR43341 260-φ-0



CABLE DE TIERRA (TERMINAL AL MOTOR NO DEBE SOBREPASAR MAS ALLA DEL DIAM. EXT. DEL MOTOR)

VER/AMA(TIERRA)	5.5/6.5 [140/165]	#10 OJAL
NEGRO	50.0/52.0 [1270/1321]	.25[6.4] FEMALE SPADE
AZUL	50.0/52.0 [1270/1321]	.25[6.4] FEMALE SPADE
ROJO	50.0/52.0 [1270/1321]	.25[6.4] FEMALE SPADE
CAFE	37.0/39.0 [940/991]	.25[6.4] FEMALE SPADE
BLANCO	37.0/39.0 [940/991]	.25[6.4] FEMALE SPADE
COLOR	LONG.	TERMINAL O LG. DE DESFORRE

TIPO DE MOTOR	CLIENTE	DISTRIBUTION SERVICES
MAIN FR.-OLE	CERRADO	
END FR.-OLE	CERRADO	
MAIN FR.-LE	CERRADO	
END FR.-LE	CERRADO	

CARACTERISTICAS DE GEOMETRIA Y SIMBOLOS

- PLANICIDAD
- RECTITUD
- ANGULARIDAD
- PERPENDICULARIDAD (A ESCUADRA)
- PARALELISMO
- REDONDEZ (CIRCULARIDAD)
- CILINDRICIDAD
- PERFIL DE CUALQUIER SUPERFICIE
- PERFIL DE CUALQUIER LINEA
- VARIACION
- POSICION REAL
- CONCENTRICIDAD
- SIMETRIA

A MENOS QUE SE ESPECIFIQUE DE OTRA MANERA, LAS TOLERANCIAS DE LAS DIMS; SON LAS SIGUIENTES:

PULG ±.1 ±.02 ±.005 ±.0005
 mm ±0.5 ±0.13 ±0.013

ANG. ± 50 GRADOS

ELIMINAR REBABAS Y ORILLAS FILOSAS DEL BORDE.

PULG .003-.015 mm 0.1-0.4

FILETEAR ESQUINA: PULG .020 mm 0.5

MAQUINAR SUPERFICIES

PULG 125 mm 3.2

DIMS METRICAS MOSTRADAS [PARENTESIS]

DIBUJADO POR: Ralf.Chen

06-12-2007

APROBADO POR:

TERCER ANGULO DE PROYECCION

FECHA EDS: 01-21-2007

REV. FORMATO: E

CONFIDENCIAL: ESTE DIBUJO Y SU INFORMACION SON PROPIEDAD DE USO EXCLUSIVO Y CONFIDENCIAL DE A.O.SMITH CORP. Y NO DEBERAN SER REVELADOS, DUPLICADOS, DISTRIBUIDOS O USARSE DE OTRA MANERA SIN EL CONSENTIMIENTO ESCRITO DE A.O. SMITH CORP.

-TODOS LOS DERECHOS RESERVADOS.ASME Y14.5M 1994

A.O. SMITH A DIVISION OF A. O. SMITH CORPORATION

ELECTRICAL PRODUCTS COMPANY TIPP CITY, OHIO

DESCRIPCION: **OUTLINE**

TAMAÑO: C NUMERO DE DIBUJO: F48Z44A01

ESCALA: NONE HOJA: 1

4

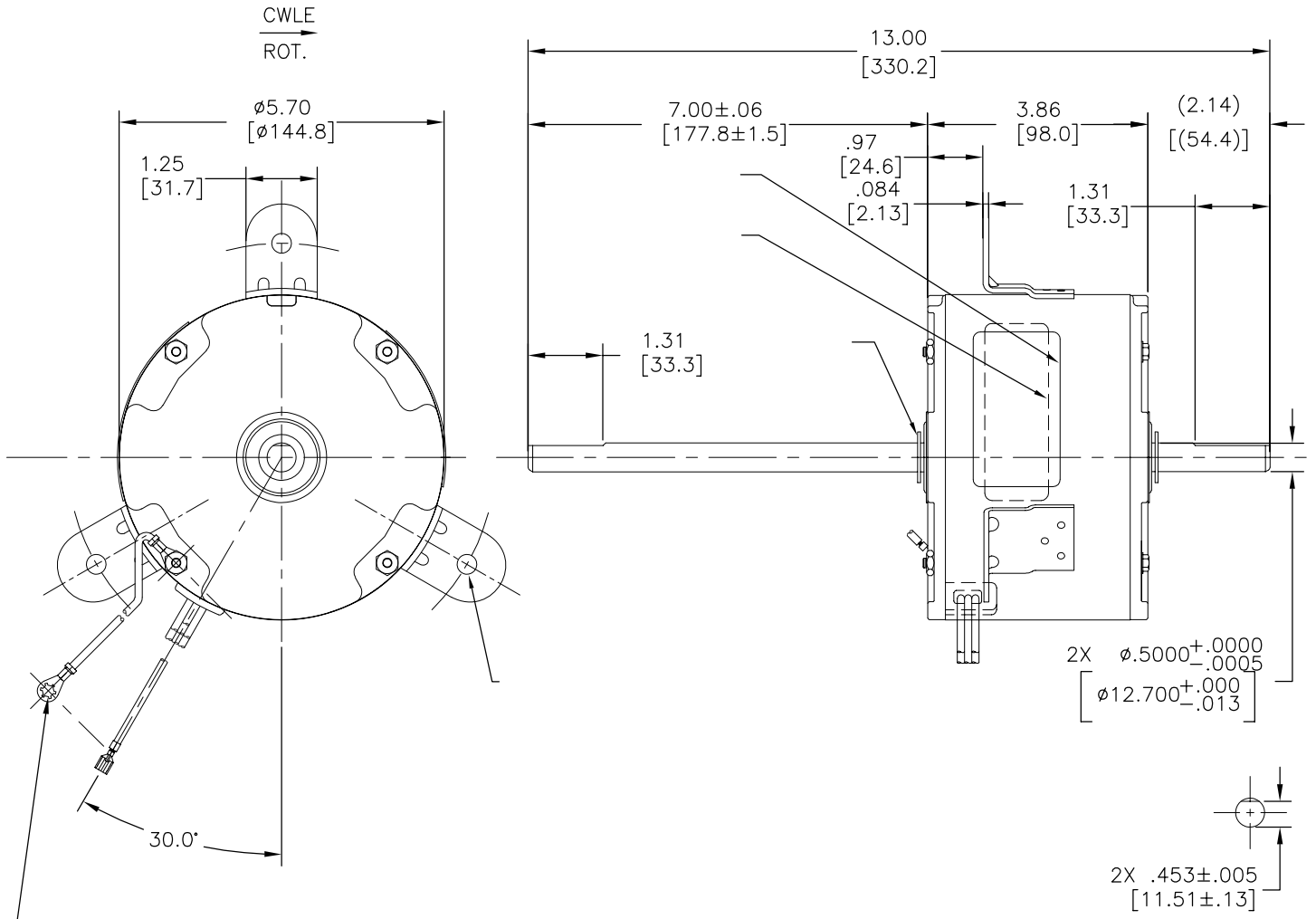
3

2

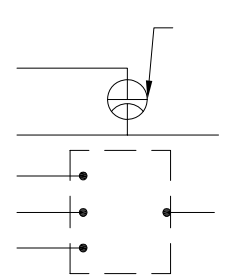
1

4 3 2 1

版本	更改通知号	项目号	编制	日期	批准	日期
B		03365601	Teresi	08-27-2007	CContr	09-04-2007



MODEL: F48Z44A01
 CUST. P/N: 513A
 HP: 1/6, 1/8, 1/10
 ROT: CWLE
 RPM: 1040/ 3 SPD
 TYPE: UF
 FRAME: 48Y
 VOLTS: 208-230
 PH: 1
 AMPS: 1.3, 0.8, 0.6
 HZ: 60
 INS: B
 AMB: 60°C
 DUTY: AIR OVER
 CAP.: 3 MFD/370 V
 ENCL: ENCLOSED
 CSA LOGO
 UL LOGO
 THERMALLY PROTECTED



614131-015

	5.5/6.5 [140/165]	
	50.0/52.0 [1270/1321]	.25[6.4] FEMALE SPADE
	50.0/52.0 [1270/1321]	.25[6.4] FEMALE SPADE
	50.0/52.0 [1270/1321]	.25[6.4] FEMALE SPADE
	37.0/39.0 [940/991]	.25[6.4] FEMALE SPADE
	37.0/39.0 [940/991]	.25[6.4] FEMALE SPADE

MAIN FR.-OLE	
END FR.-OLE	
MAIN FR.-LE	
END FR.-LE	

DISTRIBUTION SERVICES

	RPM (25°C)		CSA			
C32715	16.4	0604303B	E46412	PRGY2	LR43341	260-Ø-0

- 形位公差
- 平面度
- 直线度
- ∠ 倾斜度
- ⊥ 垂直度
- ∥ 平行度
- 圆度
- ⊘ 圆柱度
- ⊖ 内圆角
- ⊕ 面轮廓度
- ⊖ 线轮廓度
- ↗ 圆跳动
- ⊕ 位置度
- ⊙ 同轴度
- ≡ 对称度

除另有注明
尺寸公差如下:
 英寸 X XX XXX XXXX
 毫米 ±.1 ±.02 ±.005 ±.0005
 角度 ±.50 度
 清理毛刺和尖棱
 英寸 .003-.015 毫米 0.1-0.4
 内圆角
 英寸 .020 毫米 0.5
 表面粗糙度
 英制 125 米制 3.2
 米制尺寸显示在 []

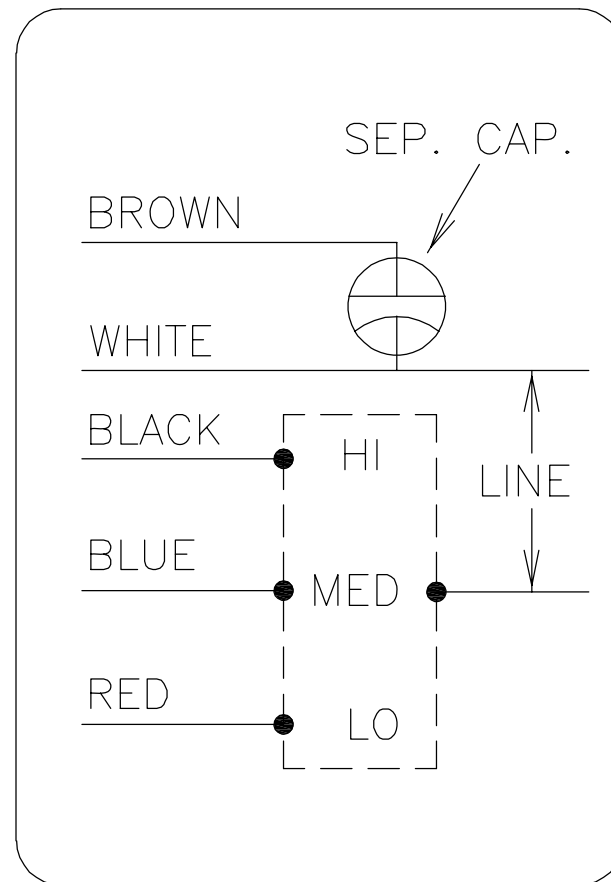
绘图: Ralf.Chen 06-12-2007
 批准:
 第三角投影
 图幅: C 图号: F48Z44A01
 比例: NONE 页号: 1
 名称: OUTLINE
 图号: F48Z44A01
 比例: NONE 页号: 1
 机密: 本图纸及相关信息所有权归A. O. SMITH公司所有。未经A. O. SMITH公司书面授权, 不得泄露、复制、传播或作其他用途。--版权所有
 ASME Y14.5M 1994

A. O. SMITH A DIVISION OF A. O. SMITH CORPORATION
 ELECTRICAL PRODUCTS COMPANY TIPP CITY, OHIO COPYRIGHT 1995

名称: OUTLINE
 图号: F48Z44A01
 比例: NONE 页号: 1

4 3 2 1

REV	ECO	REV BY	DATE	APPD	DATE
A	0019783	A.DE LUNA	06-22-2011	S.JIMENEZ	06-22-2011



GEOMETRIC CHARACTERISTICS & SYMBOLS

- ▭ FLATNESS
- STRAIGHTNESS
- ∠ ANGULARITY
- ⊥ PERPENDICULARITY (SQUARENESS)
- // PARALLELISM
- ROUNDNESS (CIRCULARITY)
- ⊘ CYLINDRICITY
- ⌒ PROFILE OF ANY SURFACE
- ⌒ PROFILE OF ANY LINE
- ↑ RUNOUT
- ⊕ TRUE POSITION
- ◎ CONCENTRICITY
- ≡ SYMMETRY

UNLESS OTHERWISE SPECIFIED
DIM. TOLERANCES ARE AS FOLLOWS:

	X	XX	XXX	XXXX
INCH	±.1	±.02	±.005	±.0005
mm	±0.5	±0.13	±0.013	

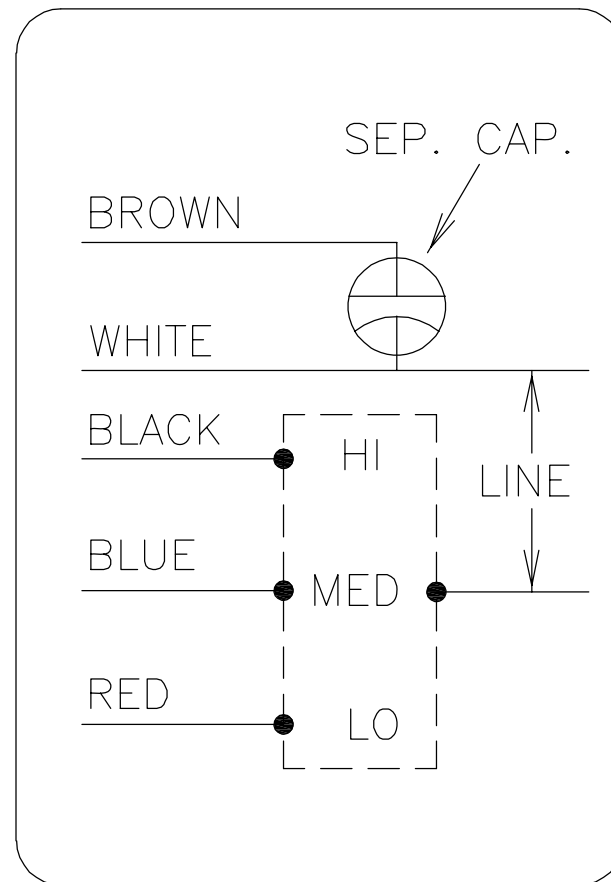
ANG. ±.50 DEG
REMOVE BURRS & BREAK SHARP EDGES:
INCH .003-.015 mm 0.1-0.4
CORNER FILLETS TO:
INCH .020 mm 0.5
MACHINE SURFACES:
INCH 125 mm 3.2

METRIC DIMS. SHOWN IN [BRACKETS]

DR BY:	A.DE LUNA	06-22-2011
APPD:	S.JIMENEZ	06-22-2011
THIRD ANGLE PROJECTION		EDS DATE 02-22-2008 FORMAT REV F
CONFIDENTIAL: THIS DRAWING AND ITS INFORMATION ARE THE EXCLUSIVE AND CONFIDENTIAL PROPERTY OF A.O. SMITH CORP. AND ARE NOT TO BE DISCLOSED, DUPLICATED, DISTRIBUTED OR OTHERWISE USED WITHOUT THE WRITTEN CONSENT OF A.O. SMITH CORP. -ALL RIGHTS RESERVED. ASME Y14.5M 1994		

		ELECTRICAL PRODUCTS COMPANY <small>A DIVISION OF A. O. SMITH CORPORATION</small>
DESCRIPTION		
CONN DIAGRAM-NAMEPLATE		
SIZE	DWG NO	
A	614131-015	
SCALE		SHEET
NONE		1

REVISION:	ECO	REVISADO POR:	FECHA:	APROBADO POR:	FECHA:
A	0019783	A.DE LUNA	06-22-2011	S.JIMENEZ	06-22-2011



CARACTERISTICAS DE GEOMETRIA Y SIMBOLOS

- ▭ PLANICIDAD
- RECTITUD
- ∠ ANGULARIDAD
- ⊥ PERPENDICULARIDAD (A ESCUADRA)
- // PARALELISMO
- REDONDEZ (CIRCULARIDAD)
- ⊘ CILINDRICIDAD
- ⌒ PERFIL DE CUALQUIER SUPERFICIE
- ⌒ PERFIL DE CUALQUIER LINEA
- ↑ VARIACION
- ⊕ POSICION REAL
- ◎ CONCENTRICIDAD
- ≡ SIMETRIA

A MENOS QUE SE ESPECIFIQUE DE OTRA MANERA, LAS TOLERANCIAS DE LAS DIMS; SON LAS SIGUIENTES:

X	XX	XXX	XXXX
PULG ±.1 ±.02 ±.005 ±.0005			
mm ±0.5 ±0.13 ±0.013			

ANG. ±.50 GRADOS
 ELIMINAR REBABAS Y ORILLAS FILOSAS DEL BORDE.

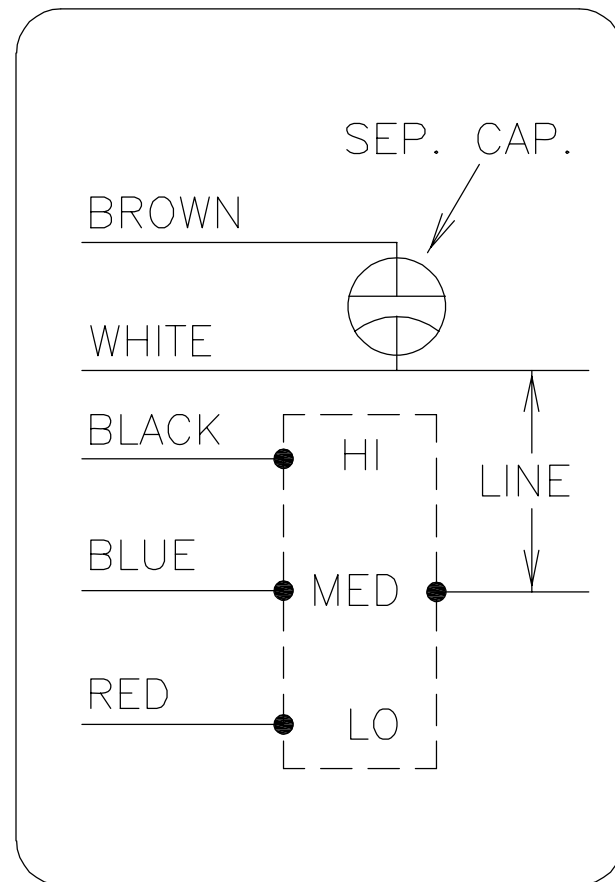
PULG .003-.015 mm 0.1-0.4
 FILETEAR ESQUINA: PULG .020 mm 0.5
 MAQUINAR SUPERFICIES
 PULG 125 mm 3.2

DIMS METRICAS MOSTRADAS [PARENTESIS]

DIBUJADO POR: A.DE LUNA	06-22-2011
APROBADO POR: S.JIMENEZ	06-22-2011
TERCER ANGULO DE PROYECCION	
FECHA EDS: 02-22-2008	REV. FORMATO: F
CONFIDENCIAL: ESTE DIBUJO Y SU INFORMACION SON PROPIEDAD DE USO EXCLUSIVO Y CONFIDENCIAL DE A.O.SMITH CORP. Y NO DEBERAN SER REVELADOS, DUPLICADOS, DISTRIBUIDOS O USARSE DE OTRA MANERA SIN EL CONSENTIMIENTO ESCRITO DE A.O. SMITH CORP. -TODOS LOS DERECHOS RESERVADOS.ASME Y14.5M 1994	

	ELECTRICAL PRODUCTS COMPANY <small>A DIVISION OF A. O. SMITH CORPORATION</small>
DESCRIPCION: CONN DIAGRAM-NAMEPLATE	
TAMAÑO: A	NUMERO DE DIBUJO: 614131-015
ESCALA:NONE	HOJA: 1

版本	ECO	编制	日期	批准	日期
A	0019783	A.DE LUNA	06-22-2011	S.JIMENEZ	06-22-2011



- 形位公差
- 平面度
- 直线度
- ∠ 倾斜度
- ⊥ 垂直度
- // 平行度
- 圆度
- ⊘ 圆柱度
- △ 面轮廓度
- ⌒ 线轮廓度
- ↗ 圆跳动
- ⊕ 位置度
- ◎ 同轴度
- ≡ 对称度

除另有注明
尺寸公差如下:

	X	XX	XXX	XXXX
英寸	±.1	±.02	±.005	±.0005
毫米	±0.5	±0.13	±0.013	

角度 ±.50 度
清理毛刺和尖棱
英寸 .003-.015 毫米 0.1-0.4

内圆角
英寸 .020 毫米 0.5

表面粗糙度
英制 125 米制 3.2

米制尺寸显示在 []

绘图:	A.DE LUNA	06-22-2011
批准:	S.JIMENEZ	06-22-2011
第三角投影		图纸格式发布日期 02-22-2008 图纸格式版本 F
机密: 本图纸及相关信息所有权归A. O. SMITH公司所有。 未经A. O. SMITH公司书面授权, 不得泄露、复制、传播或作 其他用途。—版权所有		
ASME Y14.5M 1994		

		ELECTRICAL PRODUCTS COMPANY <small>A DIVISION OF A. O. SMITH CORPORATION</small>	
名称 CONN DIAGRAM-NAMEPLATE			
图幅	A	图号 614131-015	
比例	NONE	页号	1