

PRODUCT INFORMATION PACKET



Model No: 5FC1106

Catalog No: 5FC1106

Condenser Fan Motor, 1 HP, 1 Ph, 60 Hz, 575 V, 1075 RPM, 1 Speed, 48 Frame, OPEN



Regal and Century are trademarks of Regal Rexnord Corporation or one of its affiliated companies.

©2023 Regal Rexnord Corporation, All Rights Reserved. MC017097E





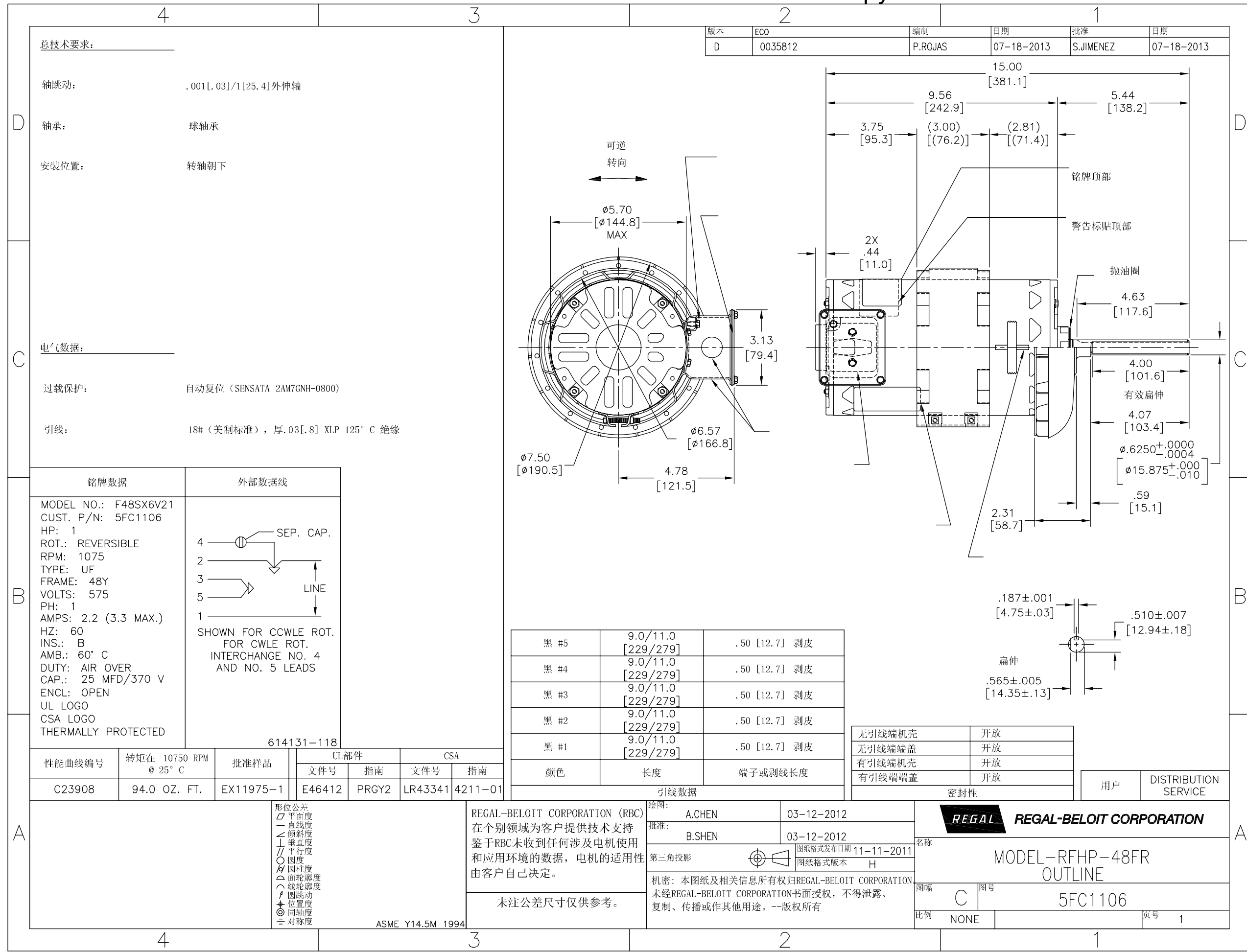
Nameplate Specifications

Output HP	1 Hp	Output KW	0.75 kW
Frequency	60 Hz	Voltage	575 V
Current	2.2 A	Speed	1075 rpm
Service Factor	1	Phase	1
Duty	Continuous Air Over	Insulation Class	B
Frame	48Y	Enclosure	Open Enclosed
Thermal Protection	Thermally Protected	Ambient Temperature	60 °C
UL	Recognized	CSA	Y
CE	N	Number of Speeds	1

Technical Specifications

Electrical Type	Permanent Split Capacitor	Starting Method	Across The Line
Poles	6	Rotation	Reversible
Mounting	Round Belly Band	Drive End Bearing	Ball
Opp Drive End Bearing	Ball	Frame Material	Rolled Steel
Shaft Type	Keyed	Frame Length	9.56 in
Shaft Diameter	0.625 in	Shaft Extension	5.44 in
Outline Drawing	5FC1106-S01		

This is an uncontrolled document once printed or downloaded and is subject to change without notice. Date Created:02/17/2023



总技术要求:

轴跳动: .001[.03]/1[25.4]外伸轴

轴承: 球轴承

安装位置: 转轴朝下

电气数据:

过载保护: 自动复位 (SENSATA 2AM7GNH-0800)

引线: 18# (美制标准), 厚.03[.8] XLP 125° C 绝缘

版本	ECO	编制	日期	批准	日期
D	0035812	P.ROJAS	07-18-2013	S.JIMENEZ	07-18-2013

铭牌数据	外部数据
MODEL NO.: F48SX6V21 CUST. P/N: 5FC1106 HP: 1 ROT.: REVERSIBLE RPM: 1075 TYPE: UF FRAME: 48Y VOLTS: 575 PH: 1 AMPS: 2.2 (3.3 MAX.) HZ: 60 INS.: B AMB.: 60° C DUTY: AIR OVER CAP.: 25 MFD/370 V ENCL: OPEN UL LOGO CSA LOGO THERMALLY PROTECTED	<p>4 — SEP. CAP.</p> <p>2 — LINE</p> <p>3 —</p> <p>5 —</p> <p>1 —</p> <p>SHOWN FOR CCWLE ROT. FOR CWLE ROT. INTERCHANGE NO. 4 AND NO. 5 LEADS</p>

颜色	长度	端子或剥线长度
黑 #5	9.0/11.0 [229/279]	.50 [12.7] 剥皮
黑 #4	9.0/11.0 [229/279]	.50 [12.7] 剥皮
黑 #3	9.0/11.0 [229/279]	.50 [12.7] 剥皮
黑 #2	9.0/11.0 [229/279]	.50 [12.7] 剥皮
黑 #1	9.0/11.0 [229/279]	.50 [12.7] 剥皮

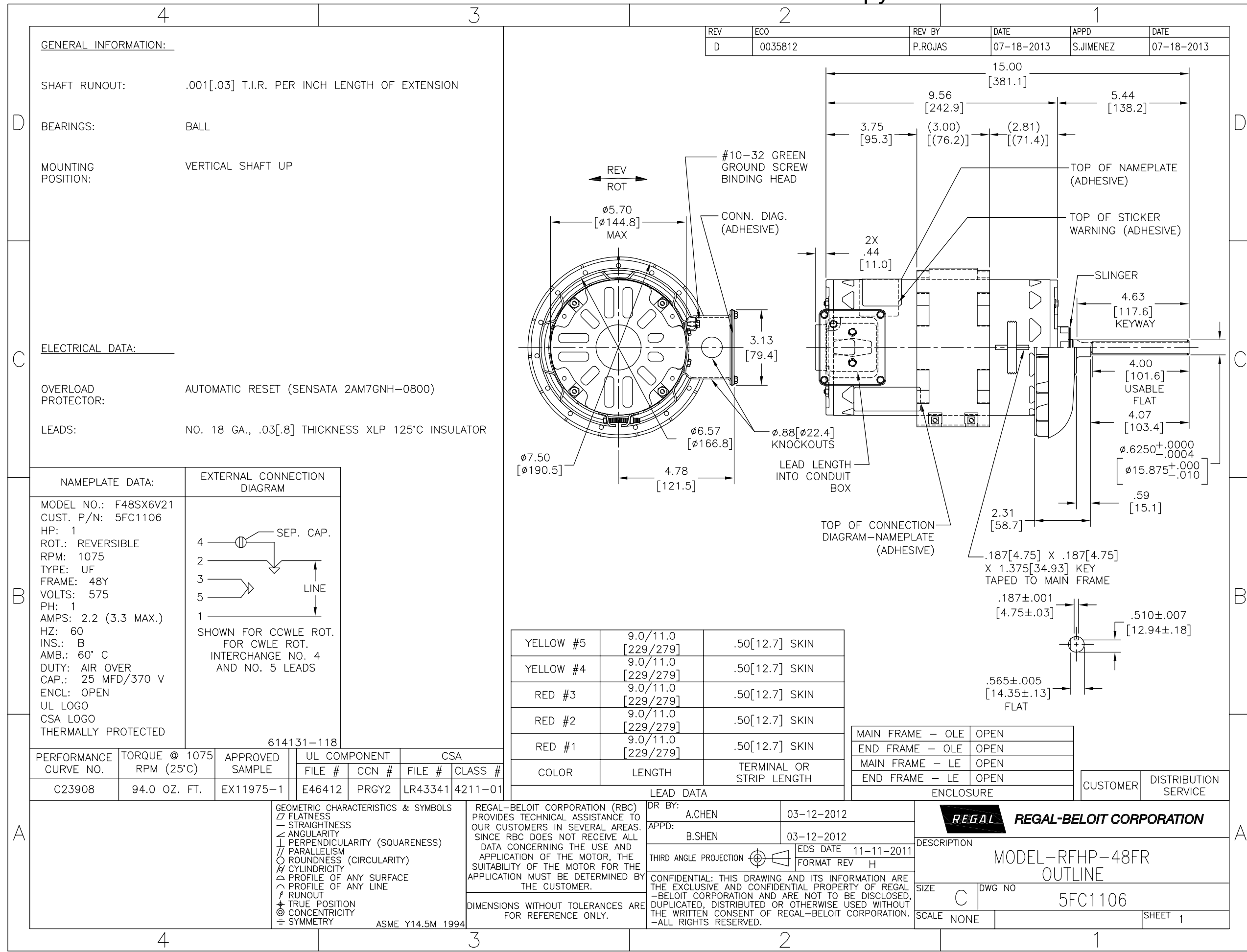
引线数据	密封性
无引线端机壳	开放
无引线端端盖	开放
有引线端机壳	开放
有引线端端盖	开放

性能曲线编号	转矩在 10750 RPM @ 25° C	批准样品	UL部件	CSA
C23908	94.0 OZ. FT.	EX11975-1	文件号 指南	文件号 指南
			E46412 PRGY2	LR43341 4211-01

形位公差 平面度 直线度 倾斜度 垂直度 平行度 圆度 圆柱度 面轮廓度 线轮廓度 圆跳动 位置度 同轴度 对称度	REGAL-BELOIT CORPORATION (RBC) 在个别领域为客户提供技术支持 鉴于RBC未收到任何涉及电机使用 和应用环境的数据, 电机的适用性 由客户自己决定。 未注公差尺寸仅供参考。
--	---

绘图: A.CHEN 批准: B.SHEN 第三角投影 图例: 图例格式发布日期: 11-11-2011 图例格式版本: H	日期: 03-12-2012 日期: 03-12-2012
---	----------------------------------

REGAL-BELOIT CORPORATION	
名称: MODEL-RFHP-48FR OUTLINE	
图幅: C	图号: 5FC1106
比例: NONE	页号: 1



GENERAL INFORMATION:

SHAFT RUNOUT: .001[.03] T.I.R. PER INCH LENGTH OF EXTENSION

BEARINGS: BALL

MOUNTING POSITION: VERTICAL SHAFT UP

ELECTRICAL DATA:

OVERLOAD PROTECTOR: AUTOMATIC RESET (SENSATA 2AM7GNH-0800)

LEADS: NO. 18 GA., .03[.8] THICKNESS XLP 125°C INSULATOR

NAMEPLATE DATA:	EXTERNAL CONNECTION DIAGRAM
MODEL NO.: F48SX6V21 CUST. P/N: 5FC1106 HP: 1 ROT.: REVERSIBLE RPM: 1075 TYPE: UF FRAME: 48Y VOLTS: 575 PH: 1 AMPS: 2.2 (3.3 MAX.) HZ: 60 INS.: B AMB.: 60° C DUTY: AIR OVER CAP.: 25 MFD/370 V ENCL: OPEN UL LOGO CSA LOGO THERMALLY PROTECTED	<p>SHOWN FOR CCWLE ROT. FOR CWLE ROT. INTERCHANGE NO. 4 AND NO. 5 LEADS</p>

COLOR	LENGTH	TERMINAL OR STRIP LENGTH
YELLOW #5	9.0/11.0 [229/279]	.50[12.7] SKIN
YELLOW #4	9.0/11.0 [229/279]	.50[12.7] SKIN
RED #3	9.0/11.0 [229/279]	.50[12.7] SKIN
RED #2	9.0/11.0 [229/279]	.50[12.7] SKIN
RED #1	9.0/11.0 [229/279]	.50[12.7] SKIN

ENCLOSURE	
MAIN FRAME - OLE	OPEN
END FRAME - OLE	OPEN
MAIN FRAME - LE	OPEN
END FRAME - LE	OPEN

PERFORMANCE CURVE NO.	TORQUE @ 1075 RPM (25°C)	APPROVED SAMPLE	UL COMPONENT FILE #	CCN #	CSA FILE #	CLASS #
C23908	94.0 OZ. FT.	EX11975-1	E46412	PRGY2	LR43341	4211-01

GEOMETRIC CHARACTERISTICS & SYMBOLS

- FLATNESS
- STRAIGHTNESS
- ANGULARITY
- PERPENDICULARITY (SQUARENESS)
- PARALLELISM
- ROUNDNESS (CIRCULARITY)
- CYLINDRICITY
- PROFILE OF ANY SURFACE
- PROFILE OF ANY LINE
- RUNOUT
- TRUE POSITION
- CONCENTRICITY
- SYMMETRY

ASME Y14.5M 1994

REGAL-BELOIT CORPORATION (RBC) PROVIDES TECHNICAL ASSISTANCE TO OUR CUSTOMERS IN SEVERAL AREAS. SINCE RBC DOES NOT RECEIVE ALL DATA CONCERNING THE USE AND APPLICATION OF THE MOTOR, THE SUITABILITY OF THE MOTOR FOR THE APPLICATION MUST BE DETERMINED BY THE CUSTOMER.

DIMENSIONS WITHOUT TOLERANCES ARE FOR REFERENCE ONLY.

DR BY: A.CHEN 03-12-2012

APPD: B.SHEN 03-12-2012

THIRD ANGLE PROJECTION

EDS DATE 11-11-2011
FORMAT REV H

CONFIDENTIAL: THIS DRAWING AND ITS INFORMATION ARE THE EXCLUSIVE AND CONFIDENTIAL PROPERTY OF REGAL-BELOIT CORPORATION AND ARE NOT TO BE DISCLOSED, DUPLICATED, DISTRIBUTED OR OTHERWISE USED WITHOUT THE WRITTEN CONSENT OF REGAL-BELOIT CORPORATION. -ALL RIGHTS RESERVED.

REGAL REGAL-BELOIT CORPORATION

DESCRIPTION: MODEL-RFHP-48FR OUTLINE

SIZE C DWG NO 5FC1106

SCALE NONE SHEET 1

<p>REVISION: ECO REVISADO POR: P.ROJAS FECHA: 07-18-2013 APROBADO POR: S.JIMENEZ FECHA: 07-18-2013</p>																													
<p>INFORMACION GENERAL:</p> <p>OSCILACION DE FLECHA: .001[.03] L.T.I. POR PULGADA DE LARGO DE EXTENSION</p> <p>BALEROS: BOLA</p> <p>POSICION DEL MONTAJE: VERTICAL FLECHA HACIA ARRIBA</p>																													
<p>INFORMACION ELECTRICA:</p> <p>SOBRECARGA DEL PROTECTOR: REINICIO AUTOMATICO (SENSATA 2AM7GNH-0800)</p> <p>CABLES: CALIBRE #18, .03[.8] ESPESOR XLP 125°C AISLANTE</p>																													
<p>INFORMACION DE ETIQUETA:</p> <p>MODEL NO.: F48SX6V21 CUST. P/N: 5FC1106 HP: 1 ROT.: REVERSIBLE RPM: 1075 TYPE: UF FRAME: 48Y VOLTS: 575 PH: 1 AMPS: 2.2 (3.3 MAX.) HZ: 60 INS.: B AMB.: 60° C DUTY: AIR OVER CAP.: 25 MFD/370 V ENCL: OPEN UL LOGO CSA LOGO THERMALLY PROTECTED</p>	<p>DIAGRAMA DE CONEXION EXTERNA</p> <p>SHOWN FOR CCWLE ROT. FOR CWLE ROT. INTERCHANGE NO. 4 AND NO. 5 LEADS</p>	<p>#10-32 TORNILLO A TIERRA VERDE DIRIGIDO A LA ATADURA</p> <p>ETIQUETA DEL DIAG. DE CONEXION (ADHESIVA)</p> <p>2X .44 [11.0]</p> <p>PARTE SUPERIOR PLACA DE DATOS (ADHESIVA)</p> <p>PARTE SUPERIOR DE LA ETIQUETA DE ADVERTENCIA (ADHESIVA)</p> <p>DISPERSOR</p> <p>4.63 [117.6] CUÑERO</p> <p>4.00 [101.6] PLANO UTILIZABLE</p> <p>4.07 [103.4]</p> <p>$\phi .6250^{+.0000}_{-.0004}$ $\phi 15.875^{+.000}_{-.010}$</p> <p>.59 [15.1]</p> <p>.187[4.75] X .187[4.75] X 1.375[34.93] LLAVE AGARRADA A CARCASA</p> <p>.187±.001 [4.75±.03]</p> <p>.510±.007 [12.94±.18]</p> <p>.565±.005 [14.35±.13] PLANO</p>																											
<table border="1" style="width:100%; border-collapse: collapse;"> <tr> <td>AMARILLO #5</td> <td>9.0/11.0 [229/279]</td> <td>.50[12.7] DESFORRE</td> </tr> <tr> <td>AMARILLO #4</td> <td>9.0/11.0 [229/279]</td> <td>.50[12.7] DESFORRE</td> </tr> <tr> <td>ROJO #3</td> <td>9.0/11.0 [229/279]</td> <td>.50[12.7] DESFORRE</td> </tr> <tr> <td>ROJO #2</td> <td>9.0/11.0 [229/279]</td> <td>.50[12.7] DESFORRE</td> </tr> <tr> <td>ROJO #1</td> <td>9.0/11.0 [229/279]</td> <td>.50[12.7] DESFORRE</td> </tr> <tr> <td>COLOR</td> <td>LONGITUD</td> <td>TERMINAL O LONGITUD DE DESFORRE</td> </tr> </table>		AMARILLO #5	9.0/11.0 [229/279]	.50[12.7] DESFORRE	AMARILLO #4	9.0/11.0 [229/279]	.50[12.7] DESFORRE	ROJO #3	9.0/11.0 [229/279]	.50[12.7] DESFORRE	ROJO #2	9.0/11.0 [229/279]	.50[12.7] DESFORRE	ROJO #1	9.0/11.0 [229/279]	.50[12.7] DESFORRE	COLOR	LONGITUD	TERMINAL O LONGITUD DE DESFORRE	<table border="1" style="width:100%; border-collapse: collapse;"> <tr> <td>DE CARCASA - OLE</td> <td>ABIERTO</td> </tr> <tr> <td>DE TAPA - OLE</td> <td>ABIERTO</td> </tr> <tr> <td>DE CARCASA - LE</td> <td>ABIERTO</td> </tr> <tr> <td>DE TAPA - LE</td> <td>ABIERTO</td> </tr> </table>		DE CARCASA - OLE	ABIERTO	DE TAPA - OLE	ABIERTO	DE CARCASA - LE	ABIERTO	DE TAPA - LE	ABIERTO
AMARILLO #5	9.0/11.0 [229/279]	.50[12.7] DESFORRE																											
AMARILLO #4	9.0/11.0 [229/279]	.50[12.7] DESFORRE																											
ROJO #3	9.0/11.0 [229/279]	.50[12.7] DESFORRE																											
ROJO #2	9.0/11.0 [229/279]	.50[12.7] DESFORRE																											
ROJO #1	9.0/11.0 [229/279]	.50[12.7] DESFORRE																											
COLOR	LONGITUD	TERMINAL O LONGITUD DE DESFORRE																											
DE CARCASA - OLE	ABIERTO																												
DE TAPA - OLE	ABIERTO																												
DE CARCASA - LE	ABIERTO																												
DE TAPA - LE	ABIERTO																												
<table border="1" style="width:100%; border-collapse: collapse;"> <tr> <td>CURVAS DE FUNCIONAMIENTO</td> <td>TORSION @ 1075 RPM (25°C)</td> <td>MUESTRA APROBADA</td> <td colspan="2">COMPONENTE UL</td> <td>CSA</td> </tr> <tr> <td>C23908</td> <td>94.0 OZ. FT.</td> <td>EX11975-1</td> <td>#ARCHIVO</td> <td>CCN #</td> <td>#ARCHIVO CLASE #</td> </tr> <tr> <td></td> <td></td> <td></td> <td>E46412</td> <td>PRGY2</td> <td>LR43341 4211-01</td> </tr> </table>		CURVAS DE FUNCIONAMIENTO	TORSION @ 1075 RPM (25°C)	MUESTRA APROBADA	COMPONENTE UL		CSA	C23908	94.0 OZ. FT.	EX11975-1	#ARCHIVO	CCN #	#ARCHIVO CLASE #				E46412	PRGY2	LR43341 4211-01	<p>INFORMACION DE CABLES</p> <p>TIPO DE MOTOR</p> <p>CLIENTE DISTRIBUTION SERVICE</p>									
CURVAS DE FUNCIONAMIENTO	TORSION @ 1075 RPM (25°C)	MUESTRA APROBADA	COMPONENTE UL		CSA																								
C23908	94.0 OZ. FT.	EX11975-1	#ARCHIVO	CCN #	#ARCHIVO CLASE #																								
			E46412	PRGY2	LR43341 4211-01																								
<p>CARACTERISTICAS DE GEOMETRIA Y SIMBOLOS</p> <ul style="list-style-type: none"> ✓ PLANICIDAD — RECTITUD ∠ ANGULARIDAD ⊥ PERPENDICULARIDAD (A ESCUADRA) // PARALELISMO ○ REDONDEZ (CIRCULARIDAD) ⊘ CILINDRICIDAD △ PERFIL DE CUALQUIER SUPERFICIE ∩ PERFIL DE CUALQUIER LINEA ∕ VARIACION ⊕ POSICION REAL ⊙ CONCENTRICIDAD = SIMETRIA <p>ASME Y14.5M 1994</p>		<p>REGAL-BELOIT CORPORATION (RBC) PROVEE ASISTENCIA TECNICA A NUESTROS CLIENTES EN VARIAS AREAS. DESDE QUE RBC NO RECIBE TODOS LOS DATOS EN RELACION AL USO Y A LA APLICACION DEL MOTOR, LA APLICACION ADECUADA DEL MOTOR DEBE SER DETERMINADA POR EL CLIENTE.</p> <p>DIMENSIONES SIN TOLERANCIA SON DE REFERENCIA SOLAMENTE</p>																											
<p>DIBUJADO POR: A.CHEN 03-12-2012</p> <p>APROBADO POR: B.SHEN 03-12-2012</p> <p>TERCER ANGULO DE PROYECCION FECHA EDS: 11-11-2011 REV. FORMATO: H</p> <p>CONFIDENCIAL: ESTE DIBUJO Y SU INFORMACION SON PROPIEDAD DE USO EXCLUSIVO Y CONFIDENCIAL DE REGAL-BELOIT CORPORATION. Y NO DEBERAN SER REVELADOS, DUPLICADOS, DISTRIBUIDOS O USARSE DE OTRA MANERA SIN EL CONSENTIMIENTO ESCRITO DE REGAL-BELOIT CORPORATION. -TODOS LOS DERECHOS RESERVADOS.</p>		<p>REGAL REGAL-BELOIT CORPORATION</p> <p>DESCRIPCION: MODEL-RFHP-48FR OUTLINE</p> <p>TAMAÑO: C NUMERO DE DIBUJO: 5FC1106</p> <p>ESCALA: NONE HOJA: 1</p>																											