

# PRODUCT INFORMATION PACKET



Model No: 5FC3076

Catalog No: 5FC3076

Condenser Fan Motor, 3/4 HP, 3 Ph, 60 Hz, 575 V, 1140 RPM, 1 Speed, 48 Frame, OPEN



Regal and Century are trademarks of Regal Rexnord Corporation or one of its affiliated companies.

©2023 Regal Rexnord Corporation, All Rights Reserved. MC017097E





**Nameplate Specifications**

Output HP	<b>3/4 Hp</b>	Output KW	<b>0.56 kW</b>
Frequency	<b>60 Hz</b>	Voltage	<b>575 V</b>
Current	<b>1.5 A</b>	Speed	<b>1140 rpm</b>
Service Factor	<b>1</b>	Phase	<b>3</b>
Duty	<b>Air Over</b>	Insulation Class	<b>B</b>
Frame	<b>48Y</b>	Enclosure	<b>Open Enclosed</b>
Thermal Protection	<b>Automatic</b>	Ambient Temperature	<b>60 °C</b>
UL	<b>Recognized</b>	CSA	<b>Y</b>
CE	<b>N</b>	Number of Speeds	<b>1</b>

**Technical Specifications**

Electrical Type	<b>Three Phase</b>	Starting Method	<b>Across The Line</b>
Poles	<b>6</b>	Rotation	<b>Reversible</b>
Mounting	<b>Round Belly Band</b>	Motor Orientation	<b>Vertical Shaft Up</b>
Drive End Bearing	<b>Ball</b>	Opp Drive End Bearing	<b>Ball</b>
Frame Material	<b>Rolled Steel</b>	Shaft Type	<b>Keyed</b>
Overall Length	<b>14.44 in</b>	Frame Length	<b>8.00 in</b>
Shaft Diameter	<b>0.625 in</b>	Shaft Extension	<b>5/8 FLAT&amp;KEY in</b>
Outline Drawing	<b>5FC3076-S01</b>	Connection Drawing	<b>607394</b>

This is an uncontrolled document once printed or downloaded and is subject to change without notice. Date Created:02/16/2023

GENERAL INFORMATION:

SHAFT RUNOUT: .001 [.03] T.I.R. PER INCH LENGTH OF EXTENSION

BEARINGS: BALL

MOUNTING POSITION: VERTICAL SHAFT UP

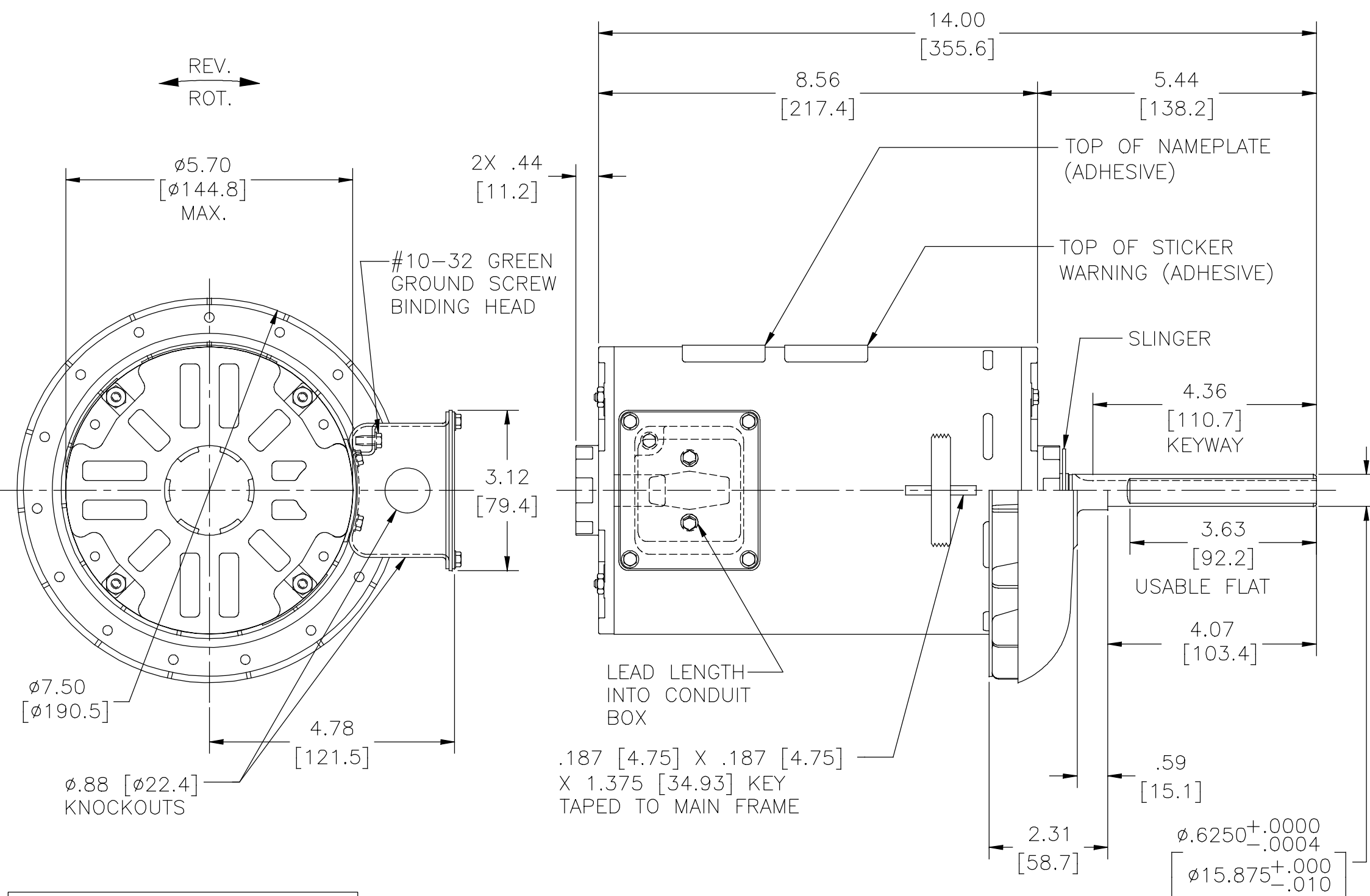
ELECTRICAL DATA:

OVERLOAD PROTECTOR: AUTOMATIC RESET (SESPNCER SKMWJ68JR)

LEADS: NO. 18 GA., .03 [.8] THK. XLP 125°C INSUL.

NAMEPLATE DATA:	EXTERNAL CONNECTION DIAGRAM
MODEL NO.: P48ST6V2A1 CUST. P/N: 5FC3076 HP: 3/4 ROT.: REVERSIBLE RPM: 1140 TYPE: UP FRAME: 48Y VOLTS: 575 PH: 3 AMPS: 1.5 HZ: 60 INS.: B AMB.: 60° C DUTY: AIR OVER CAP.: - ENCL: SEMI-ENCL. UL LOGO CSA LOGO THERMALLY PROTECTED	<p>• L1 • L2 • L3</p> <p>THREE PHASE MOTOR</p>
PERMANENTLY LUBRICATED BEARINGS	
614131-290	

PERFORMANCE CURVE NO.	TORQUE @ 1140 RPM (25°C)	APPROVED SAMPLE	UL COMPONENT FILE #	CCN #	CSA FILE #	CLASS #
C19872	3.7 LB. FT.	EX10031	E46412	PRGY2	LR43341	4211-01



REGAL-BELOIT CORPORATION (RBC) PROVIDES TECHNICAL ASSISTANCE TO OUR CUSTOMERS IN SEVERAL AREAS. SINCE RBC DOES NOT RECEIVE ALL DATA CONCERNING THE USE AND APPLICATION OF THE MOTOR, THE SUITABILITY OF THE MOTOR FOR THE APPLICATION MUST BE DETERMINED BY THE CUSTOMER.

DIMENSIONS WITHOUT TOLERANCES ARE FOR REFERENCE ONLY.

COLOR	LENGTH	TERMINAL OR STRIP LENGTH
RED (1)	4.0/6.0 [102/152]	.50 [12.7] SKIN
RED (2)	4.0/6.0 [102/152]	.50 [12.7] SKIN
RED (3)	4.0/6.0 [102/152]	.50 [12.7] SKIN

LEAD DATA

DRAWING REVISION	REVISION BY	DATE
K	JERRY CHAI	10-07-2018
ECO	APPROVED BY	DATE
ECO-0153631	Tricia.Niederholtmeyer	10-07-2018

ECO DESCRIPTION  
SEE ECO

COPYRIGHT REGAL-BELOIT AMERICA, INC. ALL RIGHTS RESERVED. PROPRIETARY AND CONFIDENTIAL INFORMATION - THIS DOCUMENT IS THE PROPERTY OF REGAL-BELOIT AMERICA, INC. (OWNER) AND CONTAINS OWNER'S PROPRIETARY INFORMATION. ANY PERSON, CORPORATION OR OTHER FIRM RECEIVING IT IS DEEMED, BY RECEIVING IT, TO AGREE THAT IT, AND/OR ANY PART OF IT, SHALL NOT BE DISCLOSED TO ANY PERSON, CORPORATION OR OTHER ENTITY, DUPLICATED, AND/OR USED, EXCEPT AS EXPRESSLY APPROVED IN WRITING IN ADVANCE BY OWNER. THIS DOCUMENT SHALL BE RETURNED TO OWNER UPON REQUEST. IT MAY BE SUBJECT TO CERTAIN RESTRICTIONS UNDER APPLICABLE EXPORT CONTROL LAWS AND REGULATIONS.

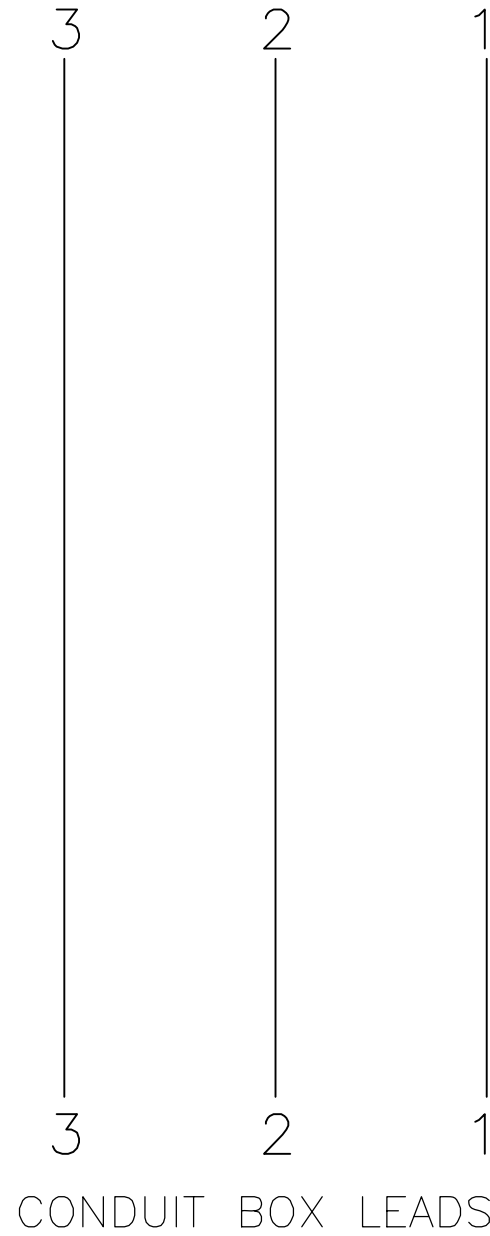
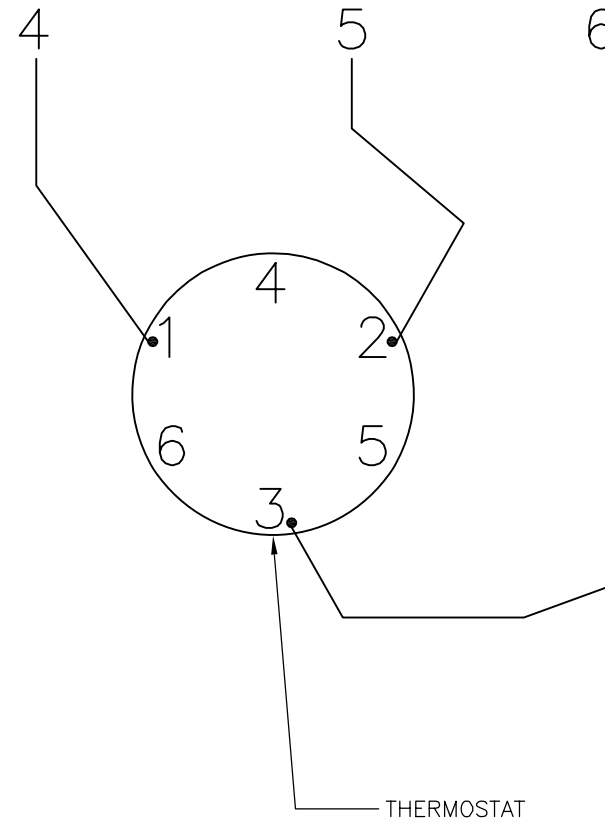
MAIN FRAME - OLE	OPEN
END FRAME - OLE	OPEN
MAIN FRAME - LE	ENCLOSED
END FRAME - LE	OPEN

CUSTOMER	DISTRIBUTION SERVICE

DRAWN BY: J.ZHU	Regal Beloit America, Inc.
DATE: 04-07-2012	
APPROVED BY: B.SHEN	DESCRIPTION
DATE: 04-07-2012	MODEL-RFHP-48FR OUTLINE
REFERENCE	MATERIAL
THIRD ANGLE PROJECTION	PROCESS/FINISH
SIZE DWG NO: C	5FC3076
	SHEET 1

REV	ECO	REV BY	DATE	APPD	DATE
C	0001343	AJB	07-29-2008	AJB	07-29-2008

STATOR LEADS



CONDUIT BOX LEADS

GEOMETRIC CHARACTERISTICS & SYMBOLS

- ▭ FLATNESS
- STRAIGHTNESS
- ∠ ANGULARITY
- ⊥ PERPENDICULARITY (SQUARENESS)
- // PARALLELISM
- ROUNDNESS (CIRCULARITY)
- ⊘ CYLINDRICITY
- △ PROFILE OF ANY SURFACE
- ⌒ PROFILE OF ANY LINE
- ↗ RUNOUT
- ⊕ TRUE POSITION
- ◎ CONCENTRICITY
- ≡ SYMMETRY

UNLESS OTHERWISE SPECIFIED  
DIM. TOLERANCES ARE AS FOLLOWS:

INCH	±.1	±.02	±.005	±.0005
mm	±0.5	±0.13	±0.013	

ANG. ±.50 DEG  
REMOVE BURRS & BREAK SHARP EDGES:  
INCH .003-.015 mm 0.1-0.4

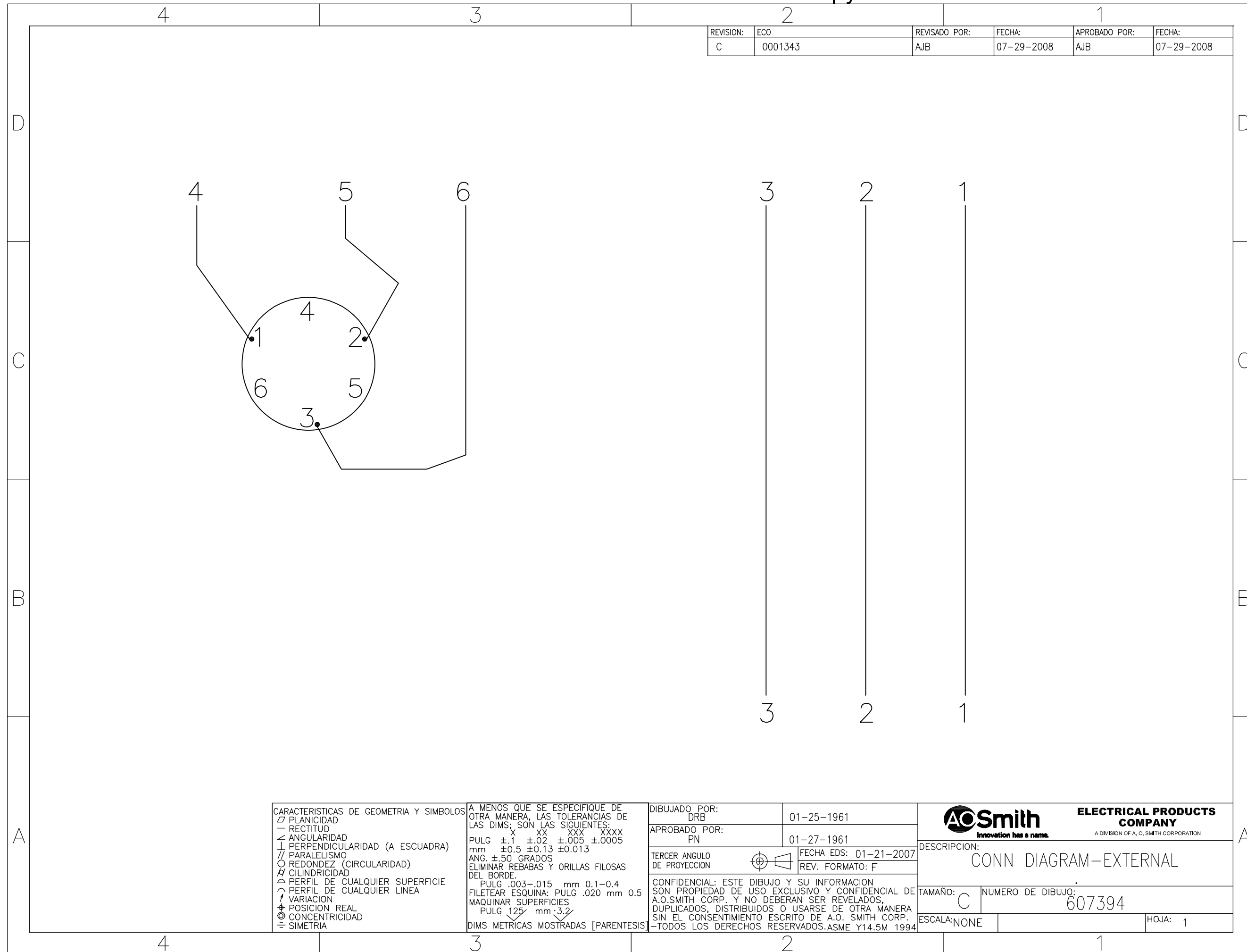
CORNER FILLETS TO:  
INCH .020 mm 0.5

MACHINE SURFACES:  
INCH 125 mm 3.2

METRIC DIMS. SHOWN IN [BRACKETS]

DR BY:	DRB	01-25-1961
APPD:	PN	01-27-1961
THIRD ANGLE PROJECTION		EDS DATE 01-21-2007 FORMAT REV F
CONFIDENTIAL: THIS DRAWING AND ITS INFORMATION ARE THE EXCLUSIVE AND CONFIDENTIAL PROPERTY OF A.O. SMITH CORP. AND ARE NOT TO BE DISCLOSED, DUPLICATED, DISTRIBUTED OR OTHERWISE USED WITHOUT THE WRITTEN CONSENT OF A.O. SMITH CORP. -ALL RIGHTS RESERVED. ASME Y14.5M 1994		

		<b>ELECTRICAL PRODUCTS COMPANY</b> <small>A DIVISION OF A. O. SMITH CORPORATION</small>	
DESCRIPTION CONN DIAGRAM-EXTERNAL			
SIZE C	DWG NO 607394		SHEET 1
SCALE NONE			



REVISION:	ECO	REVISADO POR:	FECHA:	APROBADO POR:	FECHA:
C	0001343	AJB	07-29-2008	AJB	07-29-2008

CARACTERISTICAS DE GEOMETRIA Y SIMBOLOS

- ▭ PLANICIDAD
- RECTITUD
- ∠ ANGULARIDAD
- ⊥ PERPENDICULARIDAD (A ESCUADRA)
- // PARALELISMO
- REDONDEZ (CIRCULARIDAD)
- ∅ CILINDRICIDAD
- △ PERFIL DE CUALQUIER SUPERFICIE
- ∩ PERFIL DE CUALQUIER LINEA
- ↑ VARIACION
- ⊕ POSICION REAL
- ◎ CONCENTRICIDAD
- = SIMETRIA

A MENOS QUE SE ESPECIFIQUE DE OTRA MANERA, LAS TOLERANCIAS DE LAS DIMS; SON LAS SIGUIENTES:

PULG  $\pm .1$   $\pm .02$   $\pm .005$   $\pm .0005$   
 mm  $\pm 0.5$   $\pm 0.13$   $\pm 0.013$

ANG.  $\pm 50$  GRADOS

ELIMINAR REBABAS Y ORILLAS FILOSAS DEL BORDE.

PULG .003-.015 mm 0.1-0.4

FILETEAR ESQUINA: PULG .020 mm 0.5

MAQUINAR SUPERFICIES

PULG  $\frac{1}{25}$  mm .32

DIMS METRICAS MOSTRADAS [PARENTESIS]

DIBUJADO POR:	DRB	01-25-1961
APROBADO POR:	PN	01-27-1961
TERCER ANGULO DE PROYECCION		FECHA EDS: 01-21-2007 REV. FORMATO: F
CONFIDENCIAL: ESTE DIBUJO Y SU INFORMACION SON PROPIEDAD DE USO EXCLUSIVO Y CONFIDENCIAL DE A.O.SMITH CORP. Y NO DEBERAN SER REVELADOS, DUPLICADOS, DISTRIBUIDOS O USARSE DE OTRA MANERA SIN EL CONSENTIMIENTO ESCRITO DE A.O. SMITH CORP. -TODOS LOS DERECHOS RESERVADOS.ASME Y14.5M 1994		

<b>ACSmith</b> Innovation has a name.		<b>ELECTRICAL PRODUCTS COMPANY</b> A DIVISION OF A. O. SMITH CORPORATION	
DESCRIPCION: CONN DIAGRAM-EXTERNAL			
TAMAÑO: C	NUMERO DE DIBUJO: 607394		
ESCALA:NONE			HOJA: 1

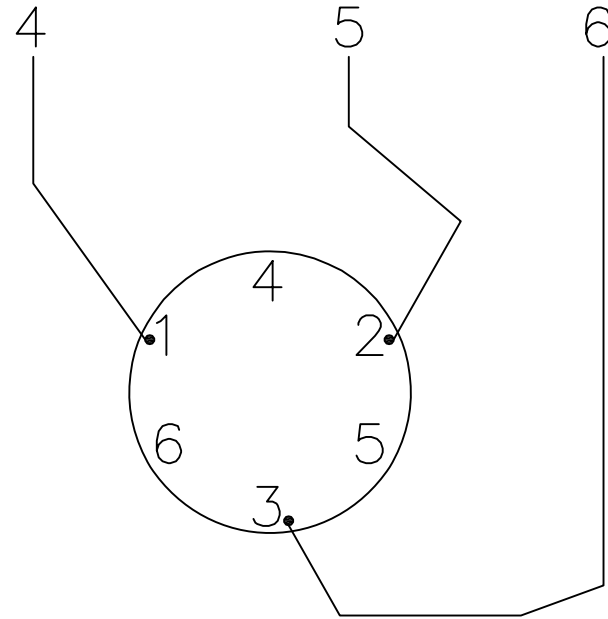
4

3

2

1

版本	ECO	编制	日期	批准	日期
C	0001343	AJB	07-29-2008	AJB	07-29-2008



3

2

1

3

2

1

形位公差 □ 平面度 — 直线度 ∠ 倾斜度 ⊥ 垂直度 ∥ 平行度 ○ 圆度 ⊘ 圆柱度 △ 面轮廓度 ⌒ 线轮廓度 ⤴ 圆跳动 ⊕ 位置度 ⊗ 同轴度 ≡ 对称度
--

除另有注明 尺寸公差如下: 英寸 X XX XXX XXXX 毫米 ±.1 ±.02 ±.005 ±.0005 毫米 ±0.5 ±0.13 ±0.013 角度 ±.50 度 清理毛刺和尖棱 英寸 .003-.015 毫米 0.1-0.4 内圆角 英寸 .020 毫米 0.5 表面粗糙度 英制 125 米制 3.2 米制尺寸显示在 [ ]
---

绘图: DRB	01-25-1961
批准: PN	01-27-1961
第三角投影	图纸格式发布日期 01-21-2007 图纸格式版本 F
机密: 本图纸及相关信息所有权归A. O. SMITH公司所有。 未经A. O. SMITH公司书面授权, 不得泄露、复制、传播或作 其他用途。—版权所有	
ASME Y14.5M 1994	

<b>ELECTRICAL PRODUCTS COMPANY</b> <small>A DIVISION OF A. O. SMITH CORPORATION</small>	
名称	CONN DIAGRAM-EXTERNAL
图幅	C
图号	607394
比例	NONE
页号	1

4

3

2

1