

# PRODUCT INFORMATION PACKET



Model No: 5FE1054S

Catalog No: 5FE1054S

Condenser Fan Motor, 1/2 HP, 1 Ph, 60 Hz, 575 V, 1625 RPM, 1 Speed, 48 Frame, TEAO



Regal and Century are trademarks of Regal Rexnord Corporation or one of its affiliated companies.

©2023 Regal Rexnord Corporation, All Rights Reserved. MC017097E





**Nameplate Specifications**

Output HP	1/2 Hp	Output KW	0.37 kW
Frequency	60 Hz	Voltage	575 V
Current	1.0 A	Speed	1625 rpm
Service Factor	1	Phase	1
Duty	Air Over	Insulation Class	B
Frame	48Y	Enclosure	Totally Enclosed Air Over
Thermal Protection	Automatic	Ambient Temperature	60 °C
UL	Recognized	CSA	Y
CE	N	Number of Speeds	1

**Technical Specifications**

Electrical Type	Permanent Split Capacitor	Starting Method	Across The Line
Poles	4	Rotation	Reversible
Mounting	Extended Studs	Motor Orientation	Any
Drive End Bearing	Ball	Opp Drive End Bearing	Ball
Frame Material	Rolled Steel	Shaft Type	Flat
Overall Length	12.42 in	Frame Length	4.75 in
Shaft Diameter	0.500 in	Shaft Extension	6.5 in
Connection Drawing	614131-242	Outline Drawing	5FE1054S-S01

This is an uncontrolled document once printed or downloaded and is subject to change without notice. Date Created:02/16/2023

4

3

2

1

REV	ECO	REV BY	DATE	APPD	DATE
B	0025221	G. RODRIGUEZ	04-18-2012	DANIEL MUÑOZ	04-18-2012

GENERAL INFORMATION:

SHAFT RUNOUT: .001[.03] T.I.R. PER INCH LENGTH OF EXTENSION

BEARINGS: BALL

MOUNTING POSITION: ALL ANGLE

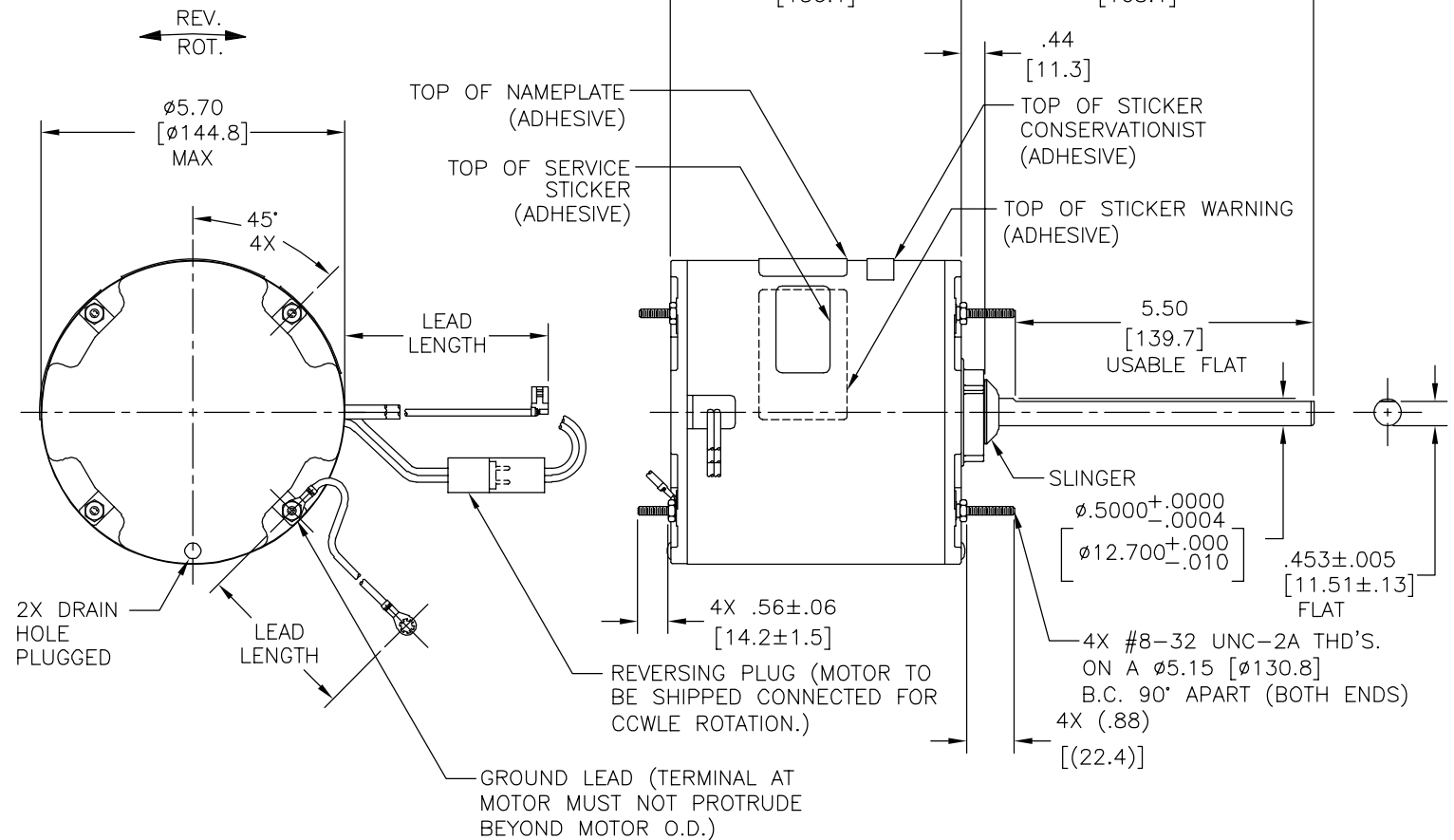
ELECTRICAL DATA:

OVERLOAD PROTECTOR: AUTOMATIC RESET (SENSATA 7AM 036)

LEADS: NO. 18 GA., .06 [1.5] THK. PVC 105°C INSUL.

REVERSING PLUGS: NO. 18 GA., .03 [.8] THK. XLP 125°C INSUL.

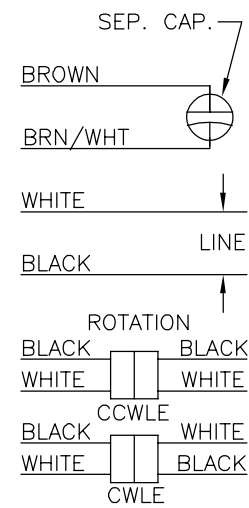
GROUND LEAD: NO. 18 GA., .03 [.8] THK. (GREEN) INSUL.



NAMEPLATE DATA:

EXTERNAL CONNECTION DIAGRAM

MODEL NO.: F48H85A01  
 CUST. P/N: 5FE1054S  
 HP: 1/2  
 ROT.: REVERSIBLE  
 RPM: 1625  
 TYPE: UF  
 FRAME: 48Y  
 VOLTS: 575  
 PH: 1  
 AMPS: 1.0 (1.4 MAX.)  
 HZ: 60  
 INS.: B  
 AMB.: 60° C  
 DUTY: AIR OVER  
 CAP.: 7.5 MFD/440 V  
 ENCL: ENCLOSED  
 UL LOGO  
 CSA LOGO  
 THERMALLY PROTECTED



614131-242

GREEN (GROUND)	12.0/13.0 [305/330]	#10 EYELET
BLACK/WHITE	3.0/5.0 [76/127]	REVERSING PLUG
BROWN	46.0/50.0 [1168/1270]	.25[6.4] FLAG
BROWN/WHITE	46.0/50.0 [1168/1270]	.25[6.4] FLAG
WHITE	46.0/50.0 [1168/1270]	.25[6.4] FLAG
BLACK	46.0/50.0 [1168/1270]	.25[6.4] FLAG
COLOR	LENGTH	TERMINAL OR STRIP LENGTH

MAIN FRAME - OLE	ENCLOSED
END FRAME - OLE	ENCLOSED
MAIN FRAME - LE	ENCLOSED
END FRAME - LE	ENCLOSED

CUSTOMER	DISTRIBUTION SERVICE
----------	----------------------

PERFORMANCE CURVE NO.	TORQUE @ 1625 RPM (25°C)	APPROVED SAMPLE	UL COMPONENT FILE #	CCN #	CSA FILE #	CLASS #
C31443	24.6 OZ. FT.	96AC422B	E46412	PRGY2	LR43341	4211-01

GEOMETRIC CHARACTERISTICS & SYMBOLS  
 □ FLATNESS  
 — STRAIGHTNESS  
 < ANGLARITY  
 ⊥ PERPENDICULARITY (SQUARENESS)  
 // PARALLELISM  
 ○ ROUNDNESS (CIRCULARITY)  
 ∅ CYLINDRICITY  
 △ PROFILE OF ANY SURFACE  
 ∩ PROFILE OF ANY LINE  
 ↗ RUNOUT  
 ⊕ TRUE POSITION  
 ⊙ CONCENTRICITY  
 = SYMMETRY  
 ASME Y14.5M 1994

REGAL-BELOIT CORPORATION (RBC) PROVIDES TECHNICAL ASSISTANCE TO OUR CUSTOMERS IN SEVERAL AREAS. SINCE RBC DOES NOT RECEIVE ALL DATA CONCERNING THE USE AND APPLICATION OF THE MOTOR, THE SUITABILITY OF THE MOTOR FOR THE APPLICATION MUST BE DETERMINED BY THE CUSTOMER.

DIMENSIONS WITHOUT TOLERANCES ARE FOR REFERENCE ONLY.

DR BY: jrupert 05-11-2011  
 APPD: jrupert 05-11-2011  
 THIRD ANGLE PROJECTION  
 CONFIDENTIAL: THIS DRAWING AND ITS INFORMATION ARE THE EXCLUSIVE AND CONFIDENTIAL PROPERTY OF REGAL-BELOIT CORPORATION AND ARE NOT TO BE DISCLOSED, DUPLICATED, DISTRIBUTED OR OTHERWISE USED WITHOUT THE WRITTEN CONSENT OF REGAL-BELOIT CORPORATION. -ALL RIGHTS RESERVED.



DESCRIPTION: OUTLINE MODEL-RFHP-48FR  
 SIZE: C DWG NO: 5FE1054S  
 SCALE: NONE SHEET: 1

4

3

2

1

4

3

2

1

REVISION:	ECO	REVISADO POR:	FECHA:	APROBADO POR:	FECHA:
B	0025221	G. RODRIGUEZ	04-18-2012	DANIEL MUÑOZ	04-18-2012

**INFORMACION GENERAL:**

OSCILACION DE FLECHA: .001 [.03] L.T.I. POR PULGADA DE EXTENSION

BALEROS: BOLAS

POSICION DEL MONTAJE: TODOS LOS ANGULOS

**INFORMACION ELECTRICA:**

PROTECTOR DE SOBRECARGA: REINICIO AUTOMATICO (T.I. 7AM 036)

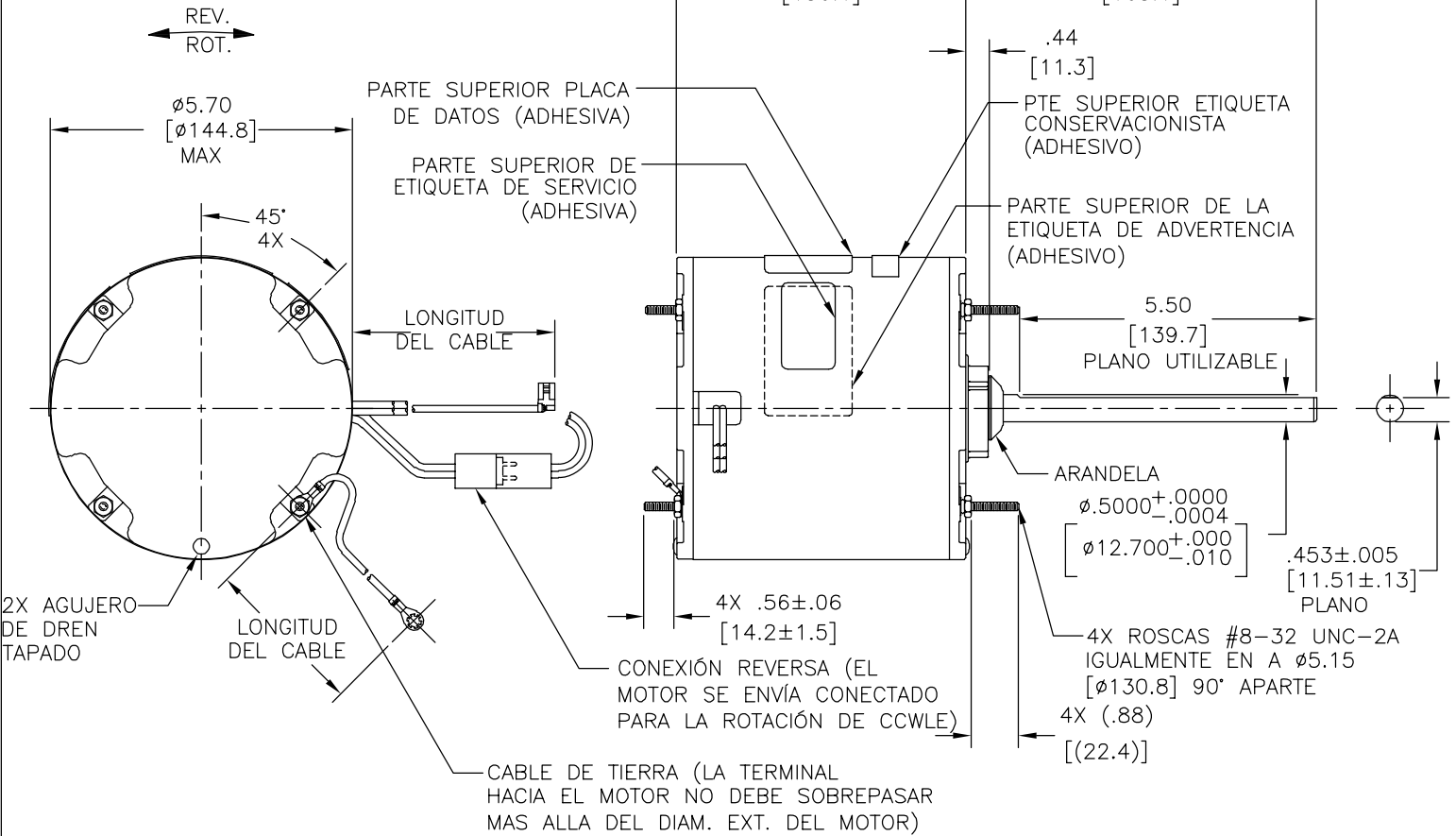
CABLES: NO. 18 GA., .06 [1.5] ESPESOR DE AISLANTE PVC 105°C.

CONEXION REVERSIBLE: NO. 18 GA., .03 [.8] ESPESOR DE AISLANTE XLP 125°C.

CABLE DE TIERRA: NO. 18 GA., .03 [.8] THK. (VERDE) AISLAM.

INFORMACION DE ETIQUETA:	DIAGRAMA DE CONEXION EXTRNA
MODEL NO.: F48H85A01 CUST. P/N: 5FE1054S HP: 1/2 ROT.: REVERSIBLE RPM: 1625 TYPE: UF FRAME: 48Y VOLTS: 575 PH: 1 AMPS: 1.0 (1.4 MAX.) HZ: 60 INS.: B AMB.: 60° C DUTY: AIR OVER CAP.: 7.5 MFD/440 V ENCL: ENCLOSED UL LOGO CSA LOGO THERMALLY PROTECTED	

CURVAS DE FUNCIONAMIENTO	TORSION @ 1625 RPM (25°C)	MUESTRA APROBADA	COMPONENTE UL	CSA
C31443	24.6 OZ. FT.	96AC422B	#ARCHIVO PRGY2 LR43341	CLASE # 4211-01



VERDE (TIERRA)	12.0/13.0 [305/330]	OJAL #10
NEGRO/BLANCO	3.0/5.0 [76/127]	CONEXION REVERSIBLE
CAFE	46.0/50.0 [1168/1270]	.25 [6.4] BANDERA
CAFE/BLANCO	46.0/50.0 [1168/1270]	.25 [6.4] BANDERA
BLANCO	46.0/50.0 [1168/1270]	.25 [6.4] BANDERA
NEGRO	46.0/50.0 [1168/1270]	.25 [6.4] BANDERA
COLOR	LONGITUD	TERMINAL O LONGITUD DE DESFORRE

CARCASA - LOC	ENCERRADO
TAPA - LOC	ENCERRADO
CARCASA - LC	ENCERRADO
TAPA - LC	ENCERRADO

CLIENTE	DISTRIBUTION SERVICE

**CARACTERISTICAS DE GEOMETRIA Y SIMBOLOS**  
 □ PLANICIDAD  
 — RECTITUD  
 < ANGULARIDAD  
 ⊥ PERPENDICULARIDAD (A ESCUADRA)  
 // PARALELISMO  
 ○ REDONDEZ (CIRCULARIDAD)  
 ∅ CILINDRICIDAD  
 △ PERFIL DE CUALQUIER SUPERFICIE  
 ∩ PERFIL DE CUALQUIER LINEA  
 ↗ VARIACION  
 ⊕ POSICION REAL  
 ⊙ CONCENTRICIDAD  
 = SIMETRIA

REGAL-BELOIT CORPORATION (RBC) PROVEE ASISTENCIA TECNICA A NUESTROS CLIENTES EN VARIAS AREAS. DESDE QUE RBC NO RECIBE TODOS LOS DATOS EN RELACION AL USO Y A LA APLICACION DEL MOTOR, LA APLICACION ADECUADA DEL MOTOR DEBE SER DETERMINADA POR EL CLIENTE.  
 DIMENSIONES SIN TOLERANCIA SON DE REFERENCIA SOLAMENTE

DIBUJADO POR: jrupert 05-11-2011  
 APROBADO POR: jrupert 05-11-2011  
 TERCER ANGULO DE PROYECCION  
 FECHA EDS: 11-11-2011  
 REV. FORMATO: G  
 CONFIDENCIAL: ESTE DIBUJO Y SU INFORMACION SON PROPIEDAD DE USO EXCLUSIVO Y CONFIDENCIAL DE REGAL-BELOIT CORPORATION. Y NO DEBERAN SER REVELADOS, DUPLICADOS, DISTRIBUIDOS O USARSE DE OTRA MANERA SIN EL CONSENTIMIENTO ESCRITO DE REGAL-BELOIT CORPORATION. -TODOS LOS DERECHOS RESERVADOS.

**REGAL-BELOIT CORPORATION**  
 DESCRIPCION: **OUTLINE MODEL-RFHP-48FR**  
 TAMAÑO: C NUMERO DE DIBUJO: 5FE1054S  
 ESCALA: NONE HOJA: 1

4

3

2

1

4

3

2

1

总技术要求:

轴跳动: .001[.03]/1[25.4]外伸轴

轴承: 球轴承

安装位置: 全方位

电气数据:

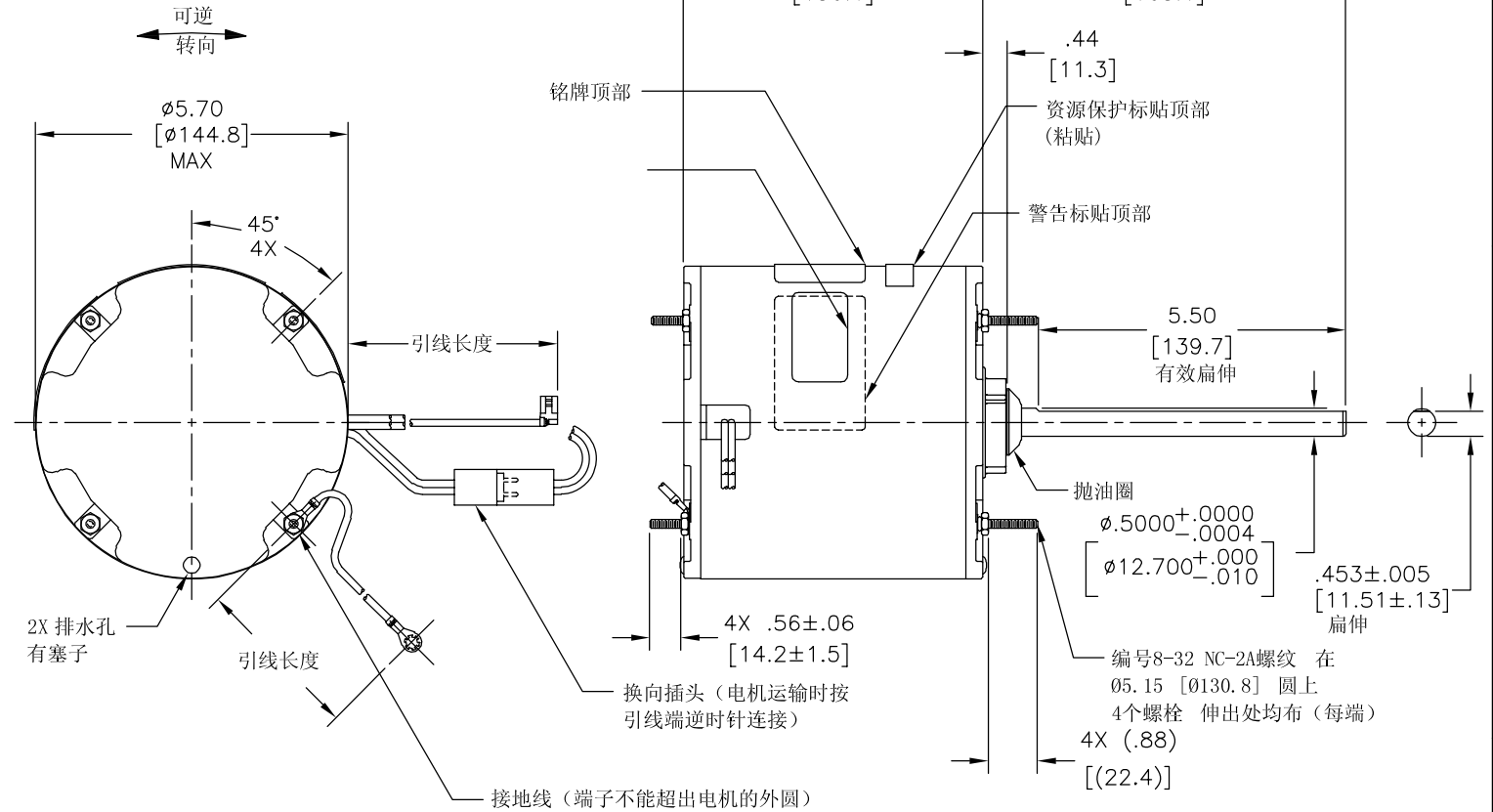
过载保护: 自动复位 (SENSATA 7AM 036)

引线: 18# (美制标准), 厚.06 [1.5] PVC 105° C 绝缘

换向线: 18# (美制标准), 厚.03 [0.8] XLP 125° C 绝缘

接地线: 18# (美制标准), 厚.03 [0.8] 绿色绝缘

版本	ECO	编制	日期	批准	日期
B	0025221	G. RODRIGUEZ	04-18-2012	DANIEL MUÑOZ	04-18-2012



绿 (接地线)	12.0/13.0 [305/330]	#10金属圈
黑/白	3.0/5.0 [76/127]	翻边插头
棕	46.0/50.0 [1168/1270]	.25 [6.4] 旗形插
棕/白	46.0/50.0 [1168/1270]	.25 [6.4] 旗形插
白	46.0/50.0 [1168/1270]	.25 [6.4] 旗形插
黑	46.0/50.0 [1168/1270]	.25 [6.4] 旗形插
颜色	长度	端子或剥线长度

无引线端机壳	密封
无引线端端盖	密封
有引线端机壳	密封
有引线端端盖	密封
密封性	

用户	DISTRIBUTION SERVICE
----	----------------------

铭牌数据	外部数据线
MODEL NO.: F48H85A01 CUST. P/N: 5FE1054S HP: 1/2 ROT.: REVERSIBLE RPM: 1625 TYPE: UF FRAME: 48Y VOLTS: 575 PH: 1 AMPS: 1.0 (1.4 MAX.) HZ: 60 INS.: B AMB.: 60° C DUTY: AIR OVER CAP.: 7.5 MFD/440 V ENCL: ENCLOSED UL LOGO CSA LOGO THERMALLY PROTECTED	SEP. CAP. BROWN BRN/WHT WHITE BLACK LINE ROTATION BLACK BLACK WHITE WHITE CCWLE BLACK WHITE WHITE BLACK CWLE

性能曲线编号	转矩在 1625 RPM @ 25° C	批准样品	UL部件	CSA
C31443	24.6 OZ. FT.	96AC422B	文件号 指南	文件号 指南
			E46412 PRGY2	LR43341 4211-01

- 形位公差
- 平面度
- 直线度
- ∠ 倾斜度
- ⊥ 垂直度
- // 平行度
- 圆度
- ⊘ 圆柱度
- ⊖ 面轮廓度
- ⊖ 线轮廓度
- ↗ 圆跳动
- ⊕ 位置度
- ⊙ 同轴度
- ≡ 对称度

ASME Y14.5M 1994

REGAL-BELOIT CORPORATION (RBC) 在个别领域为客户提供技术支持。鉴于RBC未收到任何涉及电机使用和应用环境的数据, 电机的适用性由客户自己决定。

未注公差尺寸仅供参考。

绘图:	jrupert	05-11-2011
批准:	jrupert	05-11-2011
第三角投影		图纸格式发布日期 11-11-2011 图纸格式版本 G
机密:	本图纸及相关信息所有权归REGAL-BELOIT CORPORATION 未经REGAL-BELOIT CORPORATION书面授权, 不得泄露、复制、传播或作其他用途。—版权所有	

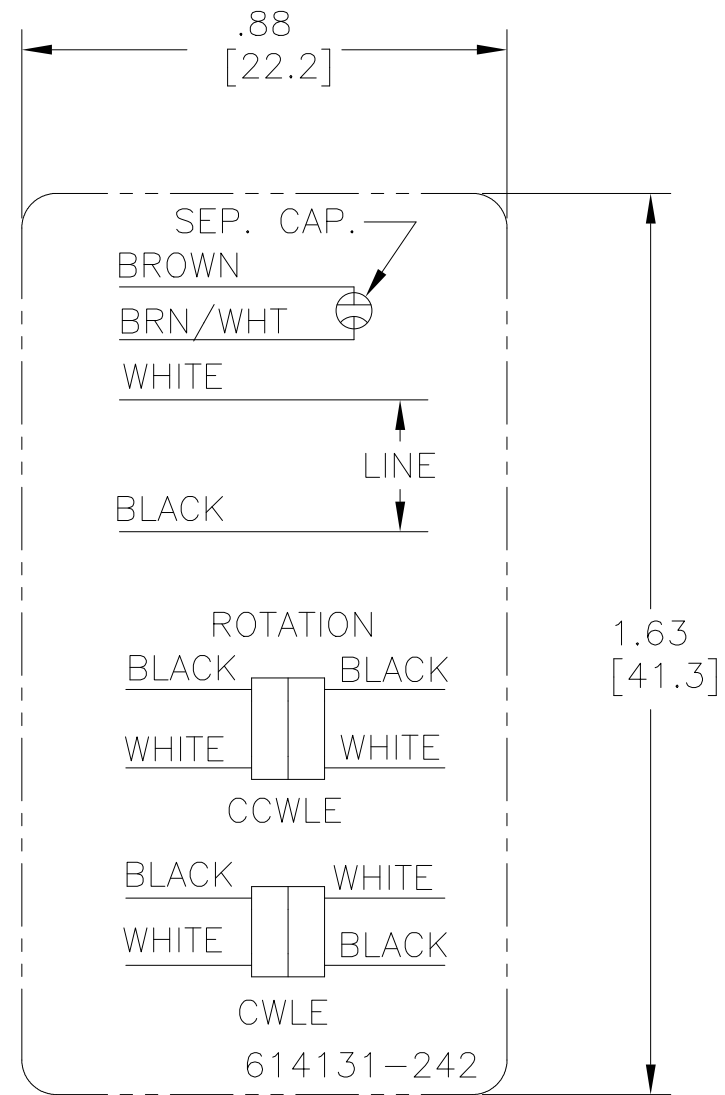
名称	OUTLINE MODEL-RFHP-48FR
图幅	C
图号	5FE1054S
比例	NONE
页号	1

4

3


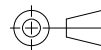
2

1



NOTES:

1. FOR USE WITH 614129 NAMEPLATE BLANK
2. — — — — — INDICATES DIMENSION LIMITS
3. DIE TO BE MADE FROM MASTER SUPPLIED BY REGAL REXNORD CORPORATION
4. DIE MUST PRODUCE A LEGIBLE IMPRESSION.

DRAWING REVISION H		REVISION BY J. RUPERT	DATE 03-16-2022	TOLERANCES UNLESS OTHERWISE SPECIFIED DEC. INCH mm ANGLE .X ±0.1 [±2.5] ±0.5° .XX ±0.02 [±0.51] .XXX ±0.005 [±0.127] .XXXX ±0.0005 [±0.0127] REMOVE BURRS & BREAK SHARP EDGES .003/.015 [0.076/.381] X 45° CORNER FILLETS R.02 [51] MACHINED SURFACES INCH <sup>125</sup> mm <sup>3.2</sup> mm SHOWN IN [BRACKETS]	DRAWN BY: YL	 <b>Regal Beloit America, Inc.</b>	
ECO NMR-0213140		APPROVED BY J. RUPERT	DATE 03-16-2022		DATE: 04-15-2011		
ECO DESCRIPTION REVISED FOR UP ISSUED				DESCRIPTION CONNECTION DIAGRAM EXTERNAL	APPROVED BY: HZ	MATERIAL .	PROCESS/FINISH .
COPYRIGHT REGAL BELOIT AMERICA, INC. ALL RIGHTS RESERVED. PROPRIETARY AND CONFIDENTIAL INFORMATION - THIS DOCUMENT IS THE PROPERTY OF REGAL BELOIT AMERICA, INC. ("OWNER") AND CONTAINS OWNER'S PROPRIETARY INFORMATION. ANY PERSON, CORPORATION OR OTHER FIRM RECEIVING IT IS DEEMED, BY RECEIVING IT, TO AGREE THAT IT, AND/OR ANY PART OF IT, SHALL NOT BE DISCLOSED TO ANY PERSON, CORPORATION OR OTHER ENTITY, DUPLICATED, AND/OR USED, EXCEPT AS EXPRESSLY APPROVED IN WRITING IN ADVANCE BY OWNER. THIS DOCUMENT SHALL BE RETURNED TO OWNER UPON REQUEST. IT MAY BE SUBJECT TO CERTAIN RESTRICTIONS UNDER APPLICABLE EXPORT CONTROL LAWS AND REGULATIONS.					DATE: 04-15-2011		
				REFERENCE .	THIRD ANGLE PROJECTION 	614131-242	