

# PRODUCT INFORMATION PACKET



Model No: 5K42HN4089X

Catalog No: K1408

Fan and Blower Motor, 1/2 HP, 3 Ph, 60 Hz, 208-230/460 V, 56 Frame, DP



Regal and LEESON are trademarks of Regal Rexnord Corporation or one of its affiliated companies.  
©2025 Regal Rexnord Corporation, All Rights Reserved. MC017097E





**Nameplate Specifications**

Phase	<b>3</b>	Output HP	<b>1/2 Hp</b>
Output KW	<b>0.37 kW</b>	Voltage	<b>208-230/460 V</b>
Speed	<b>1725 rpm</b>	Service Factor	<b>1.25</b>
Frame	<b>56</b>	Enclosure	<b>Drip Proof</b>
Thermal Protection	<b>Automatic</b>	Ambient Temperature	<b>40 °C</b>
Frequency	<b>60 Hz</b>	Current	<b>2.3-2.2/1.1 A</b>
Power Factor	<b>0</b>	Duty	<b>Continuous</b>
Insulation Class	<b>B</b>	Design Code	<b>B</b>
KVA Code	<b>K</b>	Drive End Bearing Size	<b>6203</b>
Opp Drive End Bearing Size	<b>6203</b>	UL	<b>Recognized</b>
CSA	<b>Y</b>	CE	<b>N</b>

**Technical Specifications**

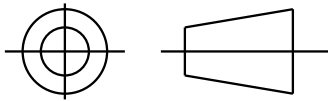
Electrical Type	<b>Capacitor Start Capacitor Run</b>	Starting Method	<b>Across The Line</b>
Poles	<b>4</b>	Rotation	<b>Counterclockwise/Clockwise</b>
Motor Orientation	<b>Any</b>	Drive End Bearing	<b>Ball</b>
Opp Drive End Bearing	<b>Ball</b>	Frame Material	<b>Rolled Steel</b>
Shaft Type	<b>NEMA 56</b>	Shaft Diameter	<b>0.625 in</b>
Connection Drawing	<b>113A423</b>	Outline Drawing	<b>52A109606P1</b>

This is an uncontrolled document once printed or downloaded and is subject to change without notice. Date Created:11/13/2025



SHEET  
REV  
4

THIRD ANGLE PROJECTION

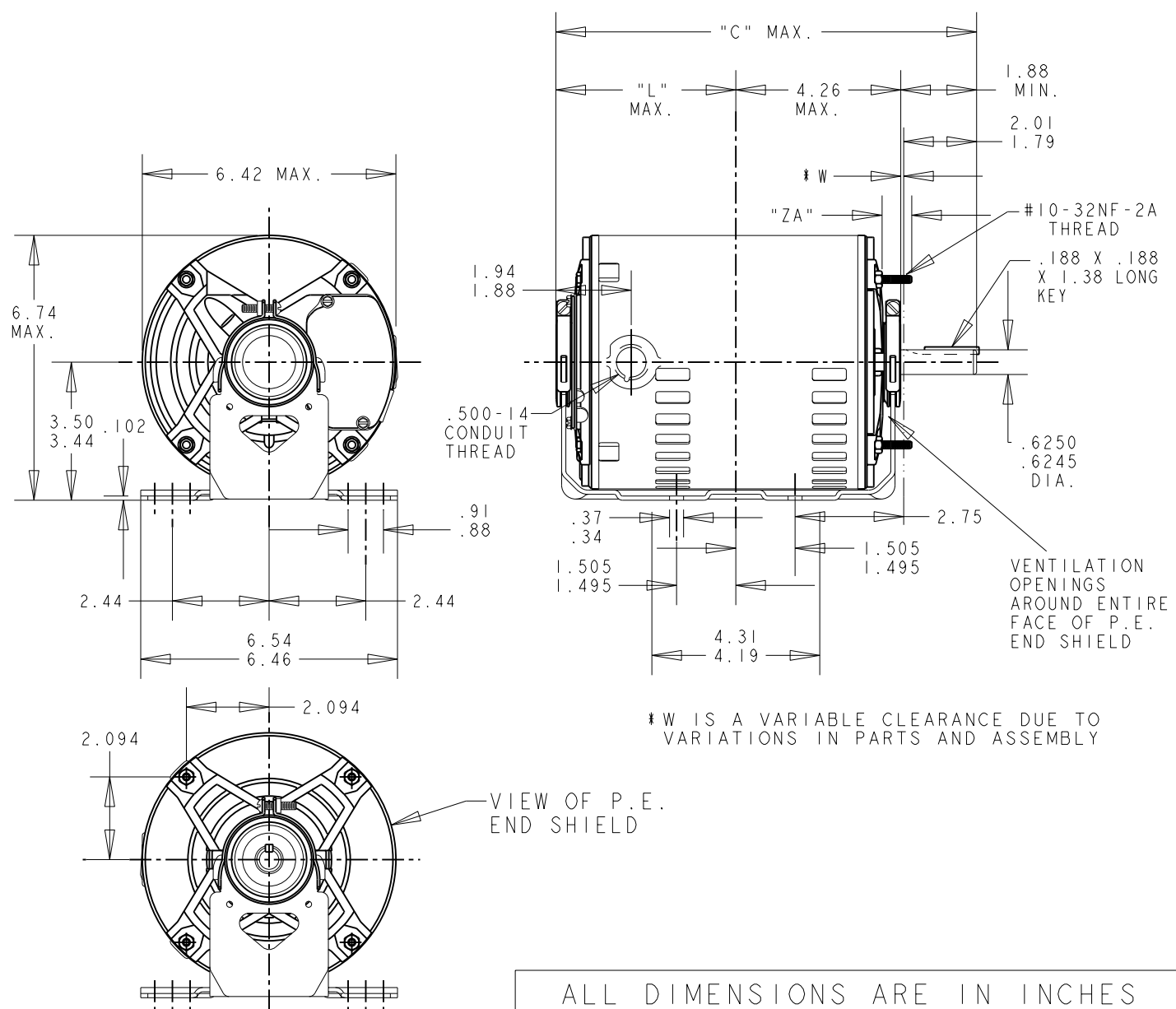


REVISIONS

REV.	DESCRIPTION	DATE	APPROVED
3	CHANGED GE SIZE FOR P3	05/07/04	ARUNK
4	CHG TO RBC FORMAT PER ISO5-1777	03/21/06	SUDHA

52A109606

SIZE DRAWING NO.  
A



ALL DIMENSIONS ARE IN INCHES

P	TYPE	GE SIZE	NEMA FR.	"C"	"L"	"ZA"	MIN. SHELL
3	K	46	56	10.88	4.62	.62	6.55
2	K	49	56	10.48	4.22	.62	6.15
1	K	42	56	10.05	3.79	.62	5.72

SIGNATURES		DATE
MODEL	M. D. PAPE	03/31/94
DETAIL	.	.
CHECKED	.	.
ENGRG	.	.
MFG	.	.
QUALITY	.	.
ISSUED	M. D. PAPE	03/31/94
SOLID MODEL: 52A109606		

**REGAL-BELOIT CORPORATION**

**REGAL-BELOIT**

TITLE: **OUTLINE**

**GENERAL PURPOSE MOTOR - DRIP PROOF - BALL BEARING - REISLIENT BASE EXTENDED CLAMP SCREWS FMF - 40 FRAME REDESIGN**

SIZE DRAWING: **A**

SCALE: 0.250 REF. No: . SHEET 1 of 1

**52A109606** REV **4**





SHEET 9  
REV 113A423  
SIZE DRAWING NO. A

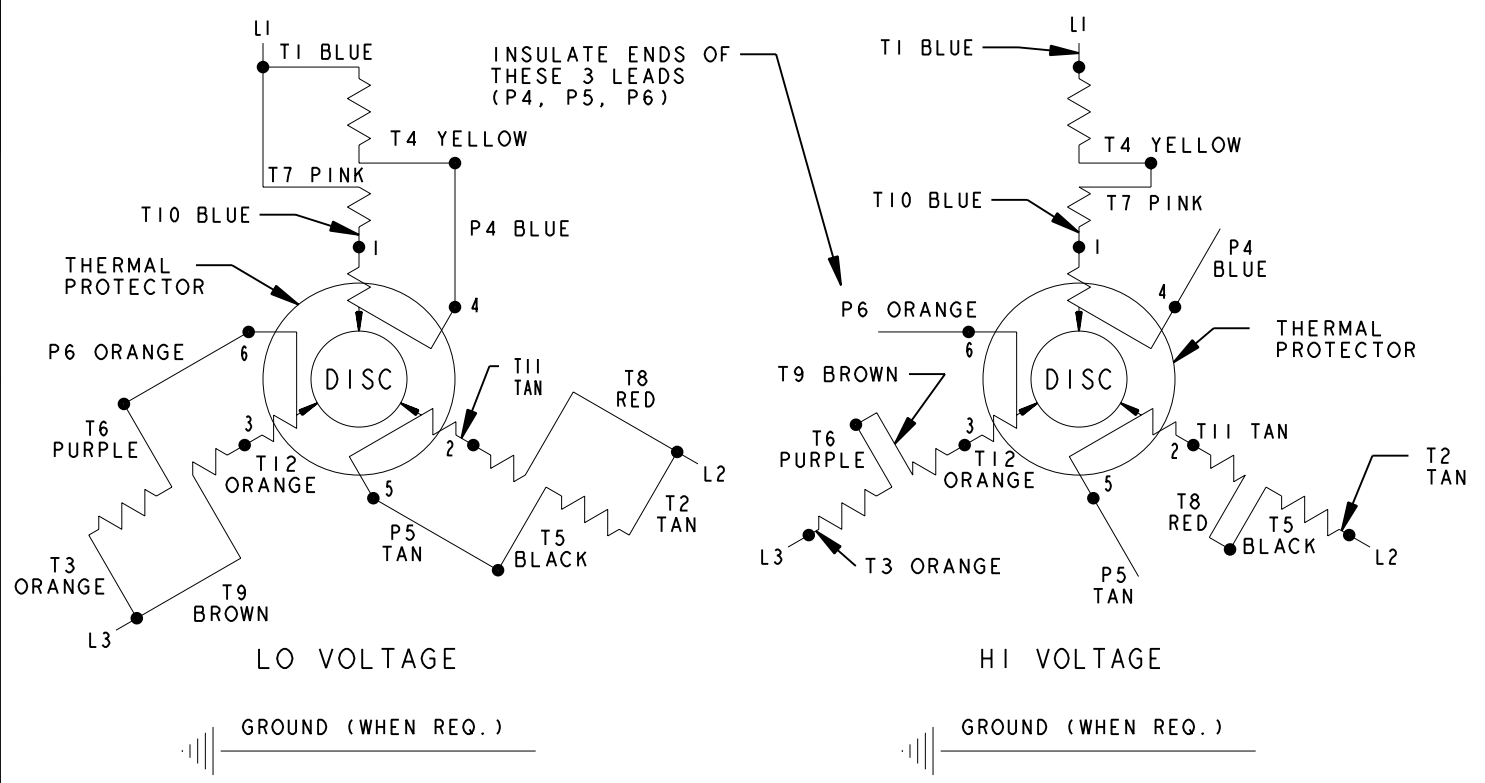
RBC PROPRIETARY AND CONFIDENTIAL INFORMATION

This document is the property of REGAL BELOIT CORPORATION ("RBC") including its subsidiaries and divisions and contains proprietary information of RBC. This document is loaned on the express condition that neither it nor the information contained therein shall be disclosed to others without the express written consent of RBC, and that the information shall be used by the recipient only as approved expressly by RBC. This document shall be returned to RBC upon its request. This document may be subject to certain restrictions under U.S. export control laws and regulations.

THIRD ANGLE PROJECTION

REVISIONS			
REV.	DESCRIPTION	DATE	APPROVED
7	LO VOLTAGE: "T8 RED" WAS "T3 RED"	09/25/92	BLJ
8	LABEL WAS 185178	04/04/95	M.A.M.
9	CHG TO RBC FORMAT PER ISO5-1777	06/13/06	SUDHA

TYPE K - DUAL VOLTAGE - THREE PHASE -  
12 LEAD WDG. - 12 LEADS OUT - THERMAL PROTECTION



NOTE #1 - TO REVERSE ROTATION, INTERCHANGE THE EXTERNAL CONNECTIONS TO ANY TWO LINE LEADS.

LABEL - NP185178AA

FOR ADDITIONAL INFO REFER TO:	SIGNATURES	DATE
APPLIED PRACTICES	MODEL G.A.HILSMIER	01/05/96
DIMENSIONS ARE IN INCHES	DETAIL	.
TOLERANCE ON:	CHECKED	.
1 PL DECIMALS ± 0.1	ENGRG	.
2 PL DECIMALS ± 0.02	MFG	.
3 PL DECIMALS ± 0.005	QUALITY	.
ANGLES ± 1.0	ISSUED	B.L.J. 05/12/92
FRACTIONS ±		
FINISH ✓		
MATERIAL	SOLID MODEL: 113A423	

**REGAL-BELOIT CORPORATION**

TITLE **DIAGRAM - CONNECTION**  
**TYPE K MOTORS**

SIZE	DRAWING	REV
A		113A423 9
SCALE: 1.000	REF. No: .	SHEET 1 of 1

