

PRODUCT INFORMATION PACKET



Model No: 5K49MN6126T

Catalog No: K1487

Fan and Blower Motor, 1/3 HP, 3 Ph, 60/50 Hz, 200-230/460 V, 56 Frame, TENV



Regal and LEESON are trademarks of Regal Rexnord Corporation or one of its affiliated companies.
©2025 Regal Rexnord Corporation, All Rights Reserved. MC017097E





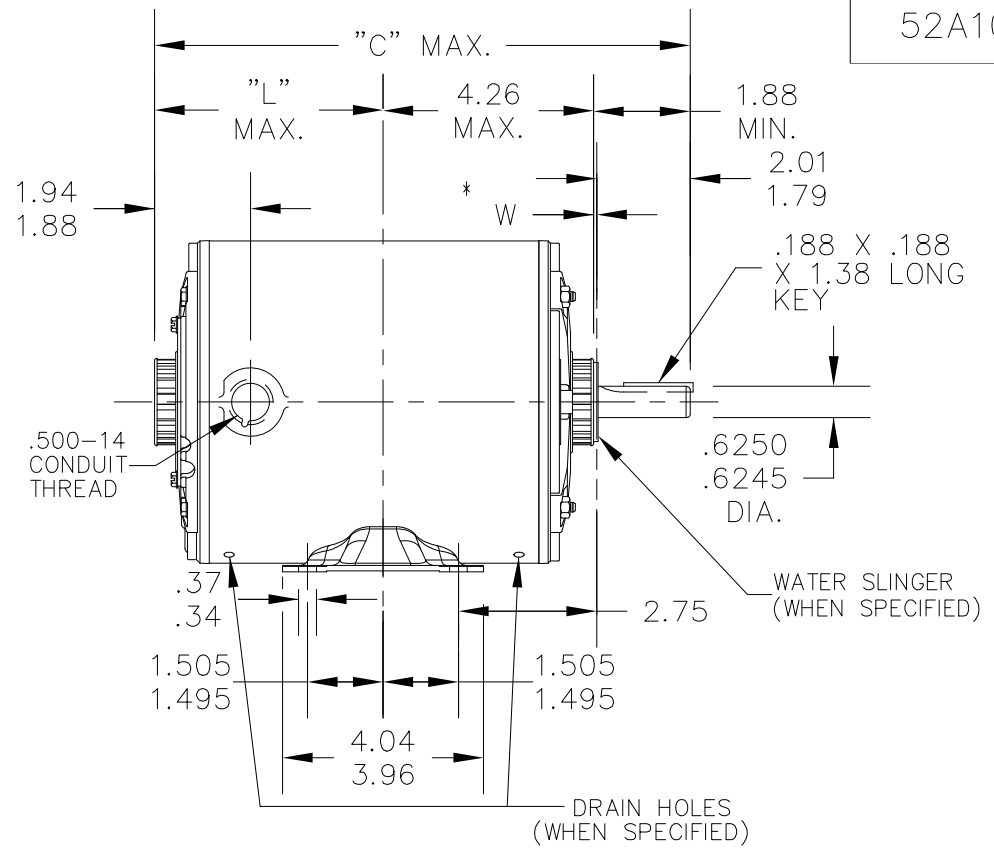
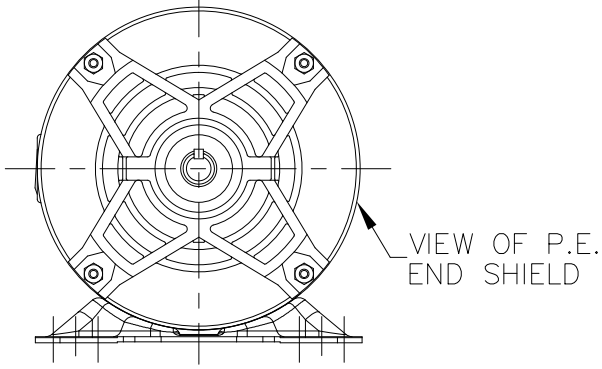
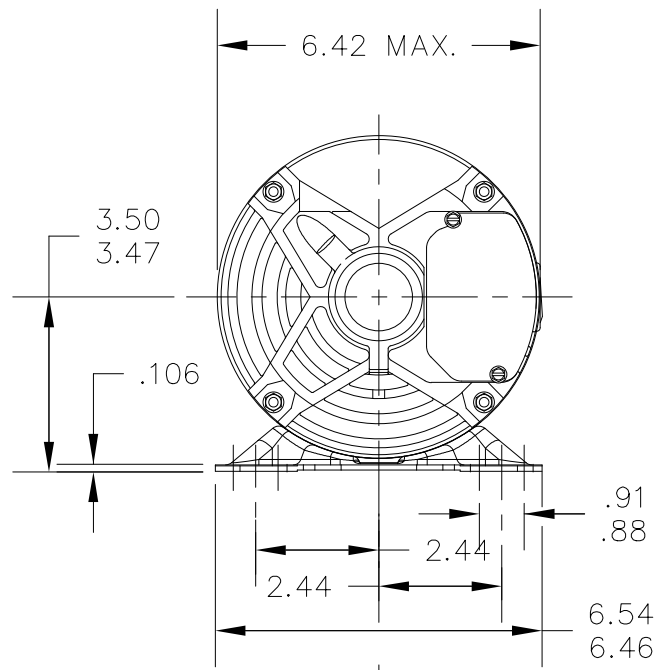
Nameplate Specifications

Phase	3	Output HP	1/3 Hp
Output KW	0.25 kW	Voltage	200-230/460 V
Speed	1140/950 rpm	Service Factor	1.50
Frame	56	Enclosure	Totally Enclosed Non Ventilated
Thermal Protection	Automatic	Ambient Temperature	65 °C
Frequency	60/50 Hz	Current	2.1-2.0/1.0 A
Power Factor	0	Duty	Continuous
Insulation Class	B	KVA Code	P
Drive End Bearing Size	6203	Opp Drive End Bearing Size	6203
UL	Recognized (Not Protector)	CSA	Y
CE	N		

Technical Specifications

Electrical Type	Capacitor Start Capacitor Run	Starting Method	Across The Line
Poles	6	Rotation	Counterclockwise/Clockwise
Motor Orientation	Any	Drive End Bearing	Ball
Opp Drive End Bearing	Ball	Frame Material	Rolled Steel
Shaft Type	NEMA 56	Shaft Diameter	0.625 in
Outline Drawing	52A109628P2	Connection Drawing	113A423

This is an uncontrolled document once printed or downloaded and is subject to change without notice. Date Created:11/13/2025



ALL DIMENSIONS ARE IN INCHES

7	K	49	56	9.57	3.41		5.34
6	K	48	56	12.66	6.50		8.43
5	K	49	56	11.91	5.75		7.68
4	K	49	56	11.38	5.22		7.15
3	K	46	56	10.78	4.62		6.55
2	K	49	56	10.38	4.22		6.15
1	K	42	56	9.95	3.79		5.72
P	TYPE	RBC SIZE	NEMA FR.	"C"	"L"		MIN. SHELL

* W IS A VARIABLE CLEARANCE DUE TO VARIATIONS IN PARTS AND ASSEMBLY

				TOLERANCES UNLESS SPECIFIED		Regal Beloit America, Inc.		DRAWN M.D.P 06/03/94		
				DEC.	INCHES			CHK		
6	UPDATED BASE AS PER ECR-0224925	MP 06/13/23	SN .X	±0.1		TITLE		APPD M.D.P 06/03/94		
5	REDRAWN IN DRAFT SIGHT	UD 10/08/12	PKG .XX	±0.02		OUTLINE		SCALE 1=1		
4	CHG TO RBC FORMAT PER IS05-1777	SD 03/21/06	.XXX	±0.005		TENV - BALL BEARING - WELDED BASE FMF - 40 FRAME REDESIGN(5K49SN4095)		REF		
3	ADDED DRAIN HOLES.	M.D.P 08/18/95	.XXXX	±0.0005		MAT'L.		FMF		
NO.	REVISION	BY & DATE	CHK ANG	±1.0		FINISH		PREV		
THIS DRAWING IN DESIGN AND DETAIL IS OUR PROPERTY AND MUST NOT BE USED EXCEPT IN CONNECTION WITH OUR WORK ALL RIGHTS OF DESIGN AND INVENTION ARE RESERVED THIS IS AN ELECTRONICALLY GENERATED DOCUMENT - DO NOT SCALE THIS PRINT				RFP	CAD FILE	52A109628		SIZE	DRAWING NO.	REV.
				DIST	3 of 4			A	52A109628	6



RBC PROPRIETARY AND CONFIDENTIAL INFORMATION

This document is the property of REGAL BELOIT CORPORATION ("RBC") including its subsidiaries and divisions and contains proprietary information of RBC. This document is loaned on the express condition that neither it nor the information contained therein shall be disclosed to others without the express written consent of RBC, and that the information shall be used by the recipient only as approved expressly by RBC. This document shall be returned to RBC upon its request. This document may be subject to certain restrictions under U.S. export control laws and regulations.

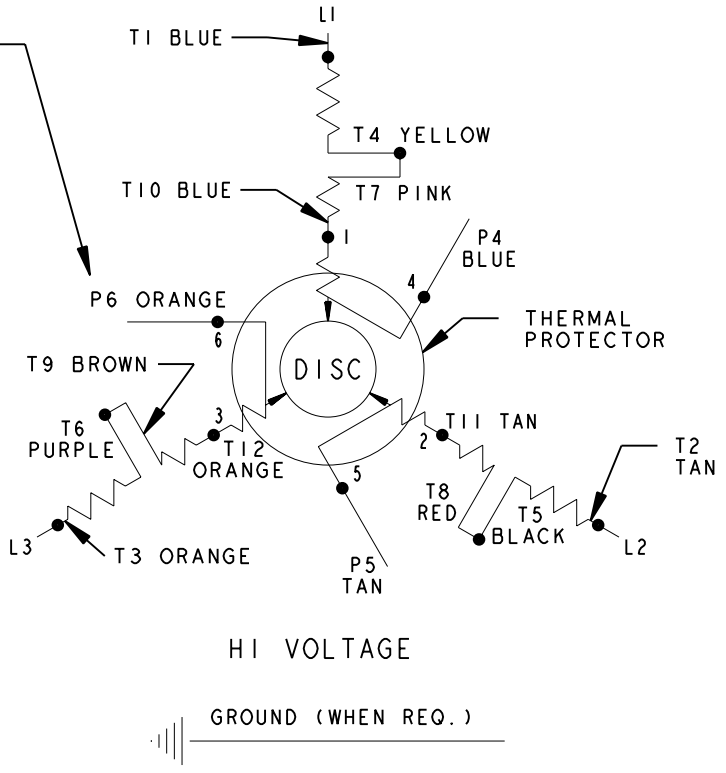
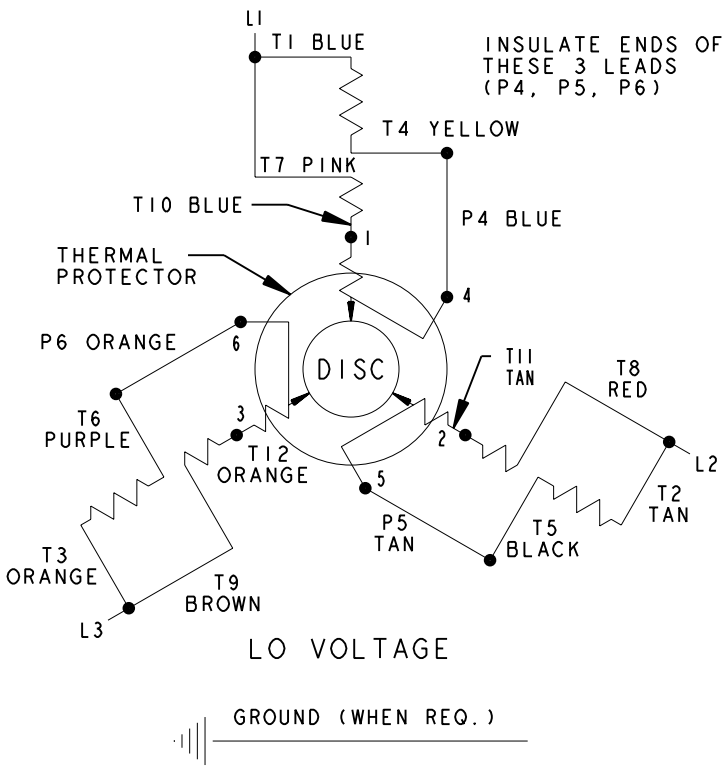
THIRD ANGLE PROJECTION

REVISIONS			
REV.	DESCRIPTION	DATE	APPROVED
7	LO VOLTAGE: "T8 RED" WAS "T3 RED"	09/25/92	BLJ
8	LABEL WAS 185178	04/04/95	M.A.M.
9	CHG TO RBC FORMAT PER ISO5-1777	06/13/06	SUDHA

113A423 9

SIZE DRAWING NO. A

TYPE K - DUAL VOLTAGE - THREE PHASE -
12 LEAD WDG. - 12 LEADS OUT - THERMAL PROTECTION



NOTE #1 - TO REVERSE ROTATION, INTERCHANGE THE EXTERNAL CONNECTIONS TO ANY TWO LINE LEADS.

LABEL - NP185178AA

FOR ADDITIONAL INFO REFER TO:	SIGNATURES	DATE
APPLIED PRACTICES	MODEL G.A.HILSMIER	01/05/96
DIMENSIONS ARE IN INCHES	DETAIL	.
TOLERANCE ON:	CHECKED	.
1 PL DECIMALS ± 0.1	ENGRG	.
2 PL DECIMALS ± 0.02	MFG	.
3 PL DECIMALS ± 0.005	QUALITY	.
ANGLES ± 1.0	ISSUED	B.L.J. 05/12/92
FRACTIONS ±		
FINISH ✓		
MATERIAL	SOLID MODEL: 113A423	



REGAL-BELOIT CORPORATION

TITLE **DIAGRAM - CONNECTION**
TYPE K MOTORS

SIZE	DRAWING	REV
A		9
SCALE: 1.000	REF. No:	SHEET 1 of 1

113A423 9

