

PRODUCT INFORMATION PACKET



Model No: 5KC35MN43
Catalog No: G1330
General Purpose Motor, 1/3 HP, 1 Ph, 60 Hz, 115/230 V, 56 Frame, TEFC



Regal and LEESON are trademarks of Regal Rexnord Corporation or one of its affiliated companies.
©2025 Regal Rexnord Corporation, All Rights Reserved. MC017097E





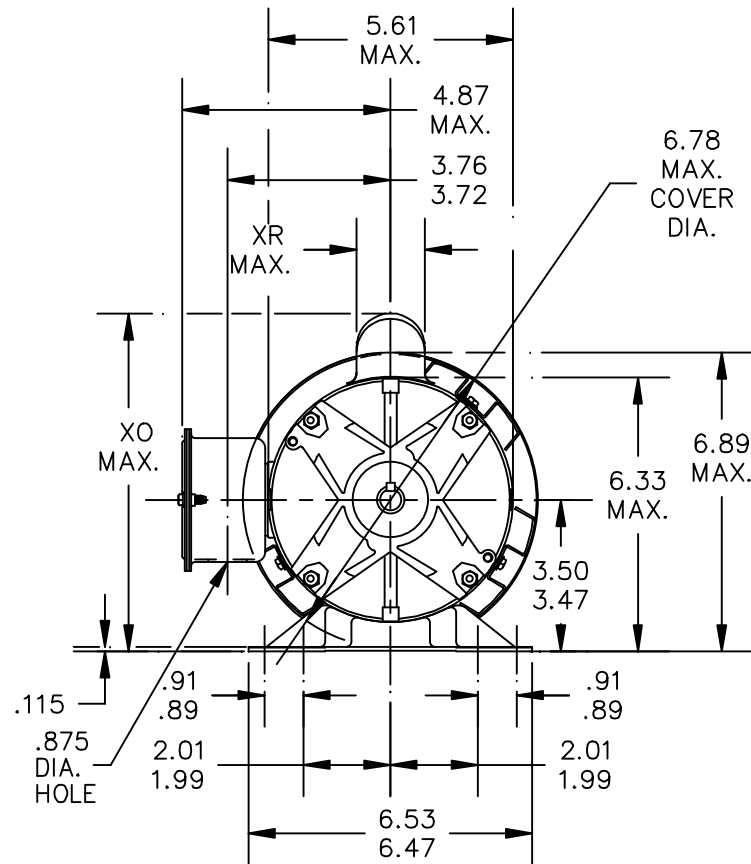
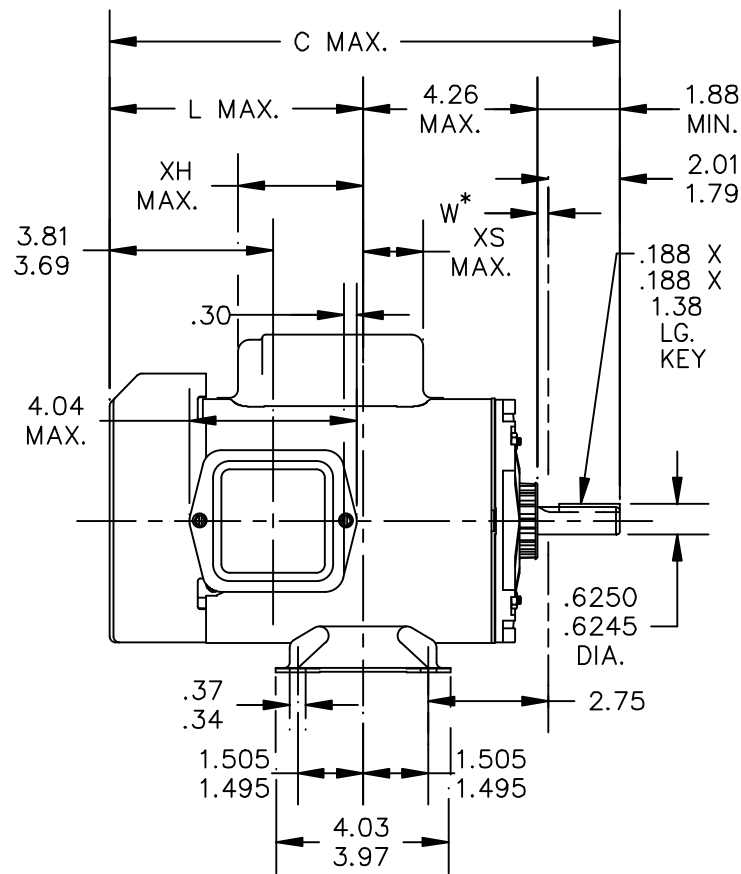
Nameplate Specifications

Phase	1	Output HP	1/3 Hp
Output KW	0.25 kW	Voltage	115/230 V
Speed	1725 rpm	Service Factor	1.15
Frame	56	Enclosure	Totally Enclosed Fan Cooled
Thermal Protection	No Protection	Ambient Temperature	40 °C
Frequency	60 Hz	Current	6.0/3.0 A
Power Factor	0	Duty	Continuous
Insulation Class	B	KVA Code	L
Drive End Bearing Size	6203	Opp Drive End Bearing Size	6203
UL	Recognized	CSA	Y
CE	N		

Technical Specifications

Electrical Type	Capacitor Start Induction Run	Starting Method	Across The Line
Poles	4	Rotation	Counterclockwise/Clockwise
Motor Orientation	Any	Drive End Bearing	Ball
Opp Drive End Bearing	Ball	Frame Material	Rolled Steel
Shaft Type	NEMA 56	Shaft Diameter	0.625 in
Connection Drawing	52A105381BA	Outline Drawing	52A101983P2

This is an uncontrolled document once printed or downloaded and is subject to change without notice. Date Created:11/13/2025



W* IS A CLEARANCE DUE TO VARIATION IN PARTS AND ASSEMBLY

5	KC	38	56	12.36	6.18	3.58	7.81	1.60	2.09		10	KC	32	56	10.38	4.24	1.89	7.81	1.60	2.52	
4	KC	37	56	11.76	5.58	2.98	7.81	1.60	2.69		9	KC	37	56	11.76	5.58	2.98	8.43	2.22	2.69	
3	KC	36	56	11.36	5.18	2.58	7.81	1.60	2.69		8	KC	35	56	10.93	4.75	2.15	8.43	2.22	2.31	
2	KC	35	56	10.93	4.75	2.15	7.81	1.60	2.31		7	KC	32	56	10.30	4.12	1.52	7.81	1.60	2.46	
1	KC	33	56	10.55	4.37	1.77	7.81	1.60	2.71		6	KC	39	56	12.89	6.71	4.11	8.43	2.22	1.56	7.75
P	TYPE	RBC SIZE	NEMA FR	C	L	XH	XO	XR	XS	SHELL LGTH.	P	TYPE	RBC SIZE	NEMA FR	C	L	XH	XO	XR	XS	SHELL LGTH.

TOLERANCES UNLESS SPECIFIED

DEC. INCHES

.X ±0.1

.XX ±0.02

PKG XXX ±0.005

.XXXX ±0.0005

ANG ±1.0



REGAL-BELOIT CORPORATION

TITLE OUTLINE
TOTALLY ENCLOSED OUTBOARD FAN - WELDED BASE

MAT'L.

FINISH

DRAWN D.E.K 07/22/76

CHK

APPD MDP 05/24/96

SCALE 1=1

REF

FMF

PREV

13 RE DRAWN IN DRAFTSIGHT -NO CHANGES

PVR 09/08/12

PKG XXX

12 PER IS05-2681

R.K 10/19/05

.XXXX

NO. REVISION

BY & DATE

CHK ANG

THIS DRAWING IN DESIGN AND DETAIL IS OUR PROPERTY AND MUST NOT BE USED EXCEPT IN CONNECTION WITH OUR WORK ALL RIGHTS OF DESIGN AND INVENTION ARE RESERVED THIS IS AN ELECTRONICALLY GENERATED DOCUMENT - DO NOT SCALE THIS PRINT

RFP

DIST

CAD FILE 52A101983

SIZE DRAWING NO.

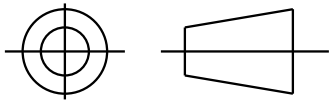
A 52A101983

REV.

13

SHEET 1
REV 3
SIZE DRAWING NO. 52A105381BA

THIRD ANGLE PROJECTION

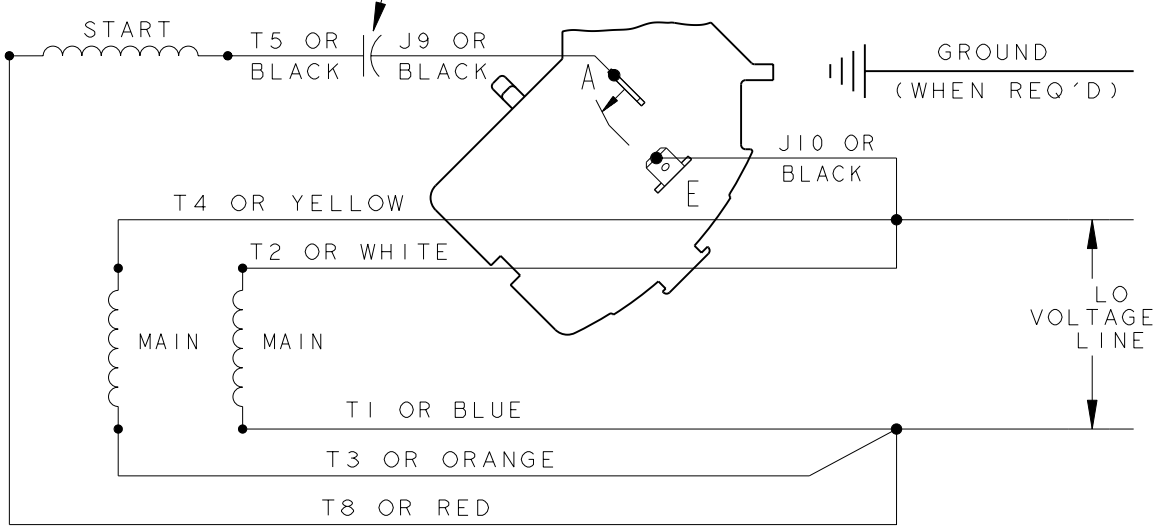


REVISIONS

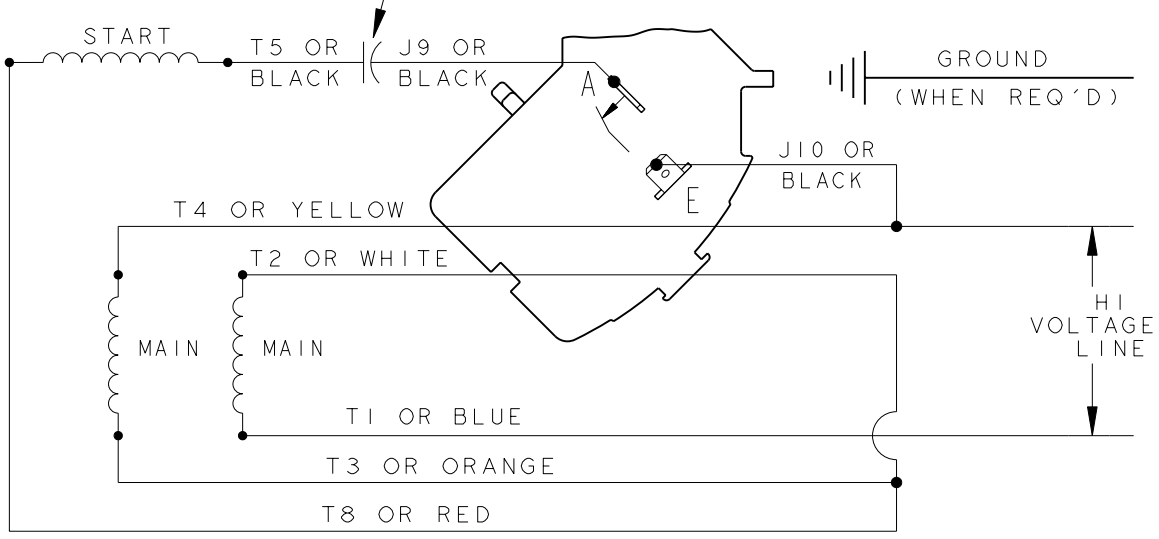
REV.	DESCRIPTION	DATE	APPROVED
3	UPDATED FORMAT	01/04/06	MAM

CCW/CW ROTATION - DUAL VOLTAGE
TYPE KC OR KH

CAPACITOR AS SHOWN FOR KC MOTORS ONLY. LEAD T5 BLACK CONNECTED DIRECTLY TO TERMINAL BOARD FOR KH MOTORS.



CAPACITOR AS SHOWN FOR KC MOTORS ONLY. LEAD T5 BLACK CONNECTED DIRECTLY TO TERMINAL BOARD FOR KH MOTORS.




NOTE#1 - TO REVERSE ROTATION, INTERCHANGE T8 RED AND J10 BLACK LEADS.
NOTE#2 - WHEN MORE THAN ONE CAPACITOR IS USED, CONNECT IN PARALLEL.

SWITCH (H) - 115D958AA

REF. DIAG. - 113A326

CONNECTION LABEL - 52X332917

SIGNATURES		DATE
MODEL	M. D. PAPE	06/29/87
DETAIL	.	.
CHECKED	.	.
ENGRG	.	.
MFG	.	.
FOR ADDITIONAL INFO REFER TO:	QUALITY	.
APPLIED PRACTICES	ISSUED	M. D. P. 06/29/87
DIMENSIONS ARE IN INCHES ✓	SOLID MODEL: 52A105381BA	



REGAL-BELOIT CORPORATION

TITLE CONNECTION DIAGRAM

FMF: 30 FRAME SWITCH REDESIGN

SIZE DRAWING: A

SCALE: 1.000 REF. No: .

52A105381BA

SHEET 1 of 1