

PRODUCT INFORMATION PACKET



Model No: 5KC36LN1X
Catalog No: C216
General Purpose Motor, 1/3 HP, 1 Ph, 60/50 Hz, 115/208-230 V, 56 Frame, DP



Regal and LEESON are trademarks of Regal Rexnord Corporation or one of its affiliated companies.
©2025 Regal Rexnord Corporation, All Rights Reserved. MC017097E





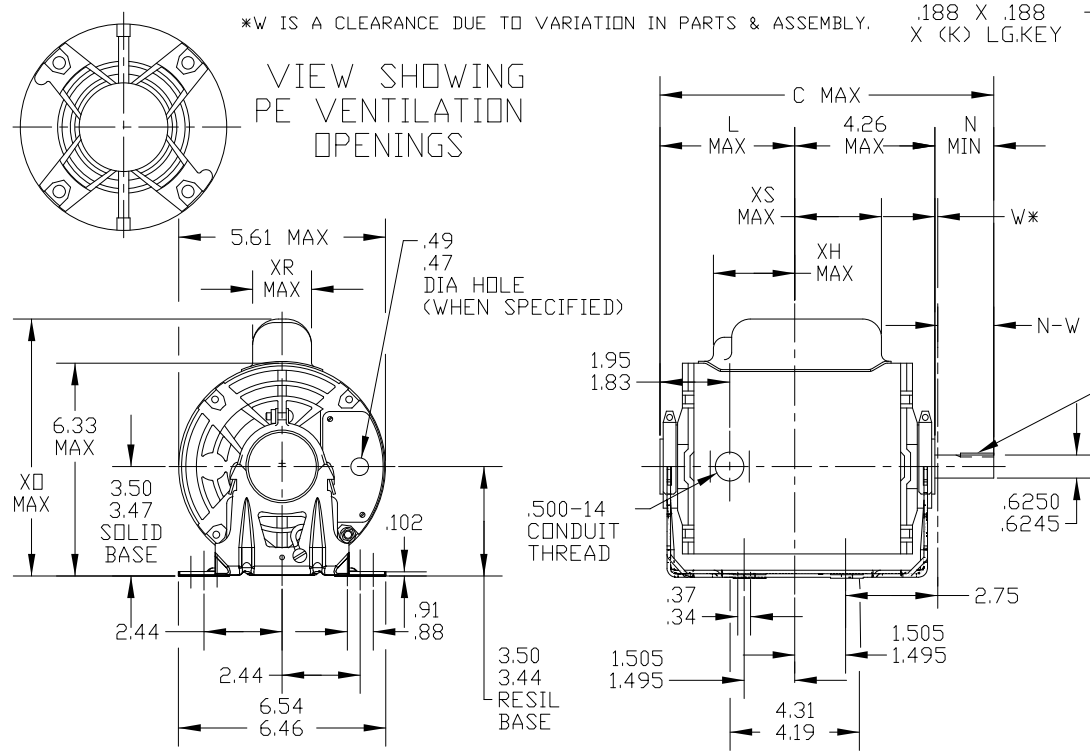
Nameplate Specifications

Phase	1	Output HP	1/3 Hp
Output KW	0.25 kW	Voltage	115/208-230 V
Speed	1725/1425 rpm	Service Factor	1.35
Frame	56	Enclosure	Drip Proof
Thermal Protection	Automatic	Ambient Temperature	40 °C
Frequency	60/50 Hz	Current	6.0/3.2-3.0 A
Power Factor	0	Duty	Continuous
Insulation Class	B	KVA Code	M
Drive End Bearing Size	6203	Opp Drive End Bearing Size	6203
UL	Recognized	CSA	Y
CE	N		

Technical Specifications

Electrical Type	Capacitor Start Induction Run	Starting Method	Across The Line
Poles	4	Rotation	Selective Counterclockwise
Motor Orientation	Any	Drive End Bearing	Ball
Opp Drive End Bearing	Ball	Frame Material	Rolled Steel
Shaft Type	NEMA 56	Shaft Diameter	0.625 in
Outline Drawing	52A101468P2	Connection Drawing	52A105383AA

This is an uncontrolled document once printed or downloaded and is subject to change without notice. Date Created:11/13/2025

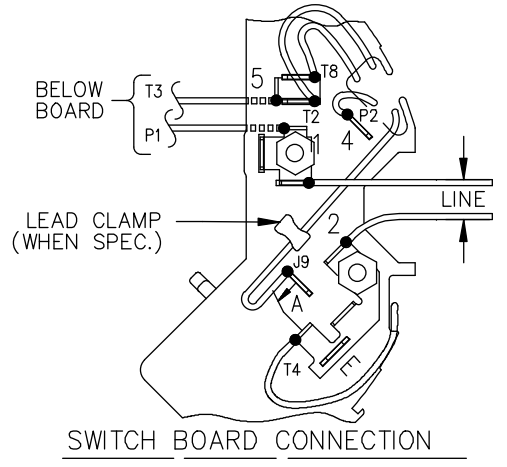
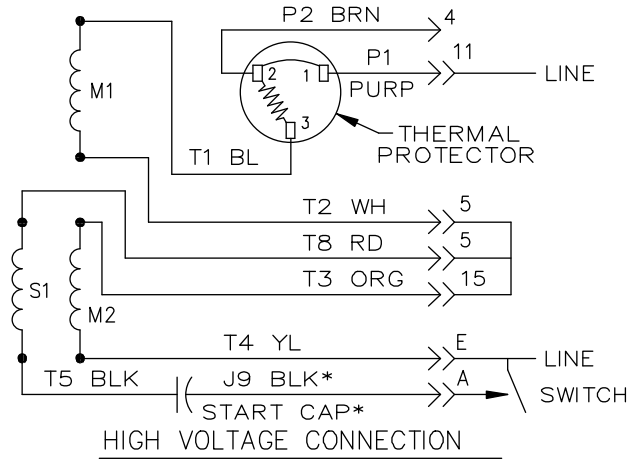
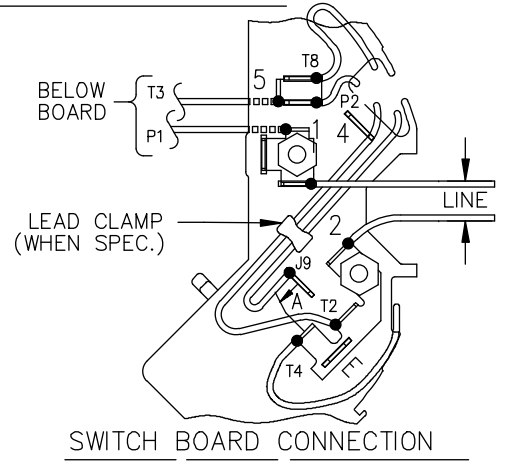
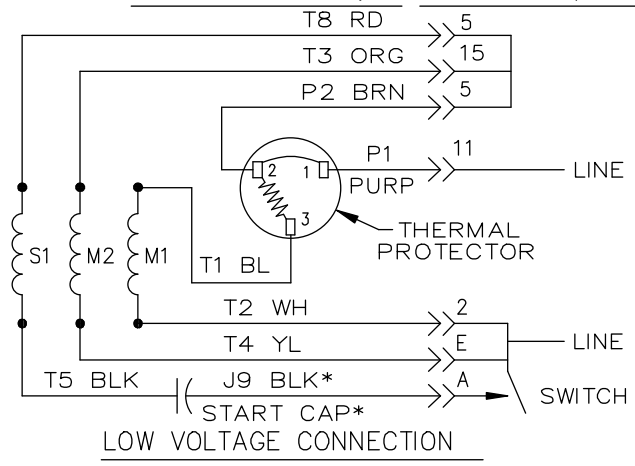


8	KC	38	56	11.32	5.23	2.90	8.43	2.22	2.87	1.88	2.01/1.79	1.38	
7	KC	38	56	11.32	5.23	3.65	8.43	2.22	2.12	1.88	2.01/1.79	1.38	
6	KC	39	56	11.85	5.76	3.45	8.43	2.22	2.32	1.88	2.01/1.79	1.38	7.75
5	KC	37	56	10.72	4.63	3.05	7.81	1.60	2.72	1.88	2.01/1.79	1.38	
4	KC	38	56	11.32	5.23	3.65	7.81	1.60	2.12	1.88	2.01/1.79	1.38	
3	KC	37	56	10.72	4.63	3.05	8.43	2.22	2.72	1.88	2.01/1.79	1.38	
2	KC	36	56	10.32	4.23	2.65	7.81	1.60	2.72	1.88	2.01/1.79	1.38	
1	KC	35	56	9.89	3.80	2.22	7.81	1.60	2.34	1.88	2.01/1.79	1.38	
PT	TYPE	GE SIZE	NEMA FR	C	L	XH	XD	XR	XS	N	N-W	K	SHELL LGTH.

				TOLERANCES UNLESS SPECIFIED								DRAWN MDP 07/10/96			
				DEC.	INCHES							CHK MDP 07/10/96			
				.X	±.1							APPD MDP 07/10/96			
				.XX	±.03					TITLE OUTLINE		SCALE 1			
15 UPDATED BASE AS PER ECR-0224925				PS	09/29/2023	SN	.XXX	±.005	FORM N - GENERAL PURPOSE MOTOR - DRIP PROOF SOLID OR RESIL BASE - BALL OR SLEEVE BEARING				REF		
14 ADDED GND.LD PER IS12-0707					02/24/12	KARTHIK	.XXXX	±.0005	MAT'L.				FMF		
NO.	REVISION			BY	DATE	CHK	ANG	± 7'30"	FINISH				PREV		
THIS DRAWING IN DESIGN AND DETAIL IS OUR PROPERTY AND MUST NOT BE USED EXCEPT IN CONNECTION WITH OUR WORK ALL RIGHTS OF DESIGN AND INVENTION ARE RESERVED THIS IS AN ELECTRONICALLY GENERATED DOCUMENT - DO NOT SCALE THIS PRINT						RFP	CAD FILE 52A101468				SIZE	DRAWING NO.	PAGE	OF	REV.
						DIST					A	52A101468		15	

Regal Rexnord Regal Beloit America, Inc.

EITHER ROTATION, DUAL VOLTAGE, TYPE KC OR KH, WITH THERMAL PROTECTION



NOTE #1 - START CAP & J9 WHEN SPECIFIED (*). IF NO CAPACITOR (KH), CONNECT T5 DIRECTLY TO SWITCH (A). WHEN MORE THAN ONE CAPACITOR IS USED, CONNECT IN PARALLEL.

NOTE #2 - TO REVERSE ROTATION, INTER CHANGE RD(T8) AND BLK(J9-KC OR T5-KH) LEADS.

SWITCH REF. - 115D958AB	CONNECTION LABEL	CCW ROTATION: NP52X332051AA
		CW ROTATION: NP52X332051AC

NO.	REVISION	BY & DATE	CHK	TOLERANCES UNLESS SPECIFIED		FINISH	DRAWN M.D.P 06/29/87	
				DEC.	INCHES			
				.X	±0.1	REGAL-BELOIT CORPORATION	CHK	
				.XX	±0.02		TITLE	APPD M.D.P 03/26/96
5	ADDED CONNECTION LABEL PER ECO-0030779	UD 02/06/13	PKG	.XXX	±0.005	CONNECTION DIAGRAM 30 FRAME SWITCH REDESIGN	SCALE 1=1	
4	UPDATED PER ISO7-0150	MD 01/23/07		.XXXX	±0.0005		MAT'L.	REF
				ANG	±1.0		FMF	
				RFP		CAD FILE 52A105383AA	PREV	
THIS DRAWING IN DESIGN AND DETAIL IS OUR PROPERTY AND MUST NOT BE USED EXCEPT IN CONNECTION WITH OUR WORK. ALL RIGHTS OF DESIGN AND INVENTION ARE RESERVED. THIS IS AN ELECTRONICALLY GENERATED DOCUMENT - DO NOT SCALE THIS PRINT				DIST		SIZE A	DRAWING NO. 52A105383AA	REV. 5