

PRODUCT INFORMATION PACKET



Model No: 5KC36LN26
Catalog No: C209
General Purpose Motor, 1/3 HP, 1 Ph, 60/50 Hz, 115/208-230 V, 48 Frame, DP



Regal and LEESON are trademarks of Regal Rexnord Corporation or one of its affiliated companies.
©2025 Regal Rexnord Corporation, All Rights Reserved. MC017097E





Nameplate Specifications

| | | | |
|------------------------|---------------|----------------------------|---------------|
| Phase | 1 | Output HP | 1/3 Hp |
| Output KW | 0.25 kW | Voltage | 115/208-230 V |
| Speed | 1725/1425 rpm | Service Factor | 1.35 |
| Frame | 48 | Enclosure | Drip Proof |
| Thermal Protection | No Protection | Ambient Temperature | 40 °C |
| Frequency | 60/50 Hz | Current | 6.0/3.2-3.0 A |
| Power Factor | 0 | Duty | Continuous |
| Insulation Class | B | KVA Code | M |
| Drive End Bearing Size | 6203 | Opp Drive End Bearing Size | 6203 |
| UL | Recognized | CSA | Y |
| CE | N | | |

Technical Specifications

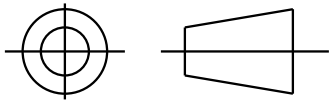
| | | | |
|-----------------------|-------------------------------|-------------------|----------------------------|
| Electrical Type | Capacitor Start Induction Run | Starting Method | Across The Line |
| Poles | 4 | Rotation | Selective Counterclockwise |
| Motor Orientation | Any | Drive End Bearing | Ball |
| Opp Drive End Bearing | Ball | Frame Material | Rolled Steel |
| Shaft Type | NEMA 48 | Shaft Diameter | 0.500 in |
| Connection Drawing | 52A105381AA | Outline Drawing | 52A101469P3 |

This is an uncontrolled document once printed or downloaded and is subject to change without notice. Date Created:11/13/2025



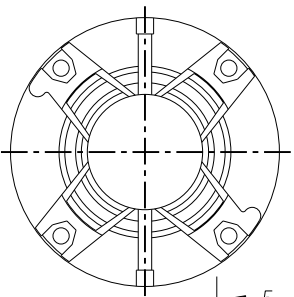
SHEET
REV
52A101469 10

THIRD ANGLE PROJECTION

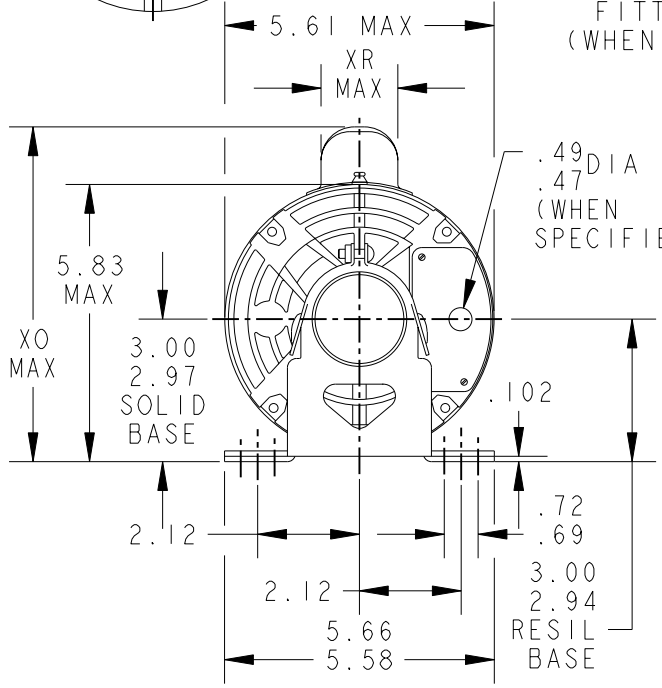


REVISIONS

| REV. | DESCRIPTION | DATE | APPROVED |
|------|----------------------------------|----------|----------|
| 9 | REDRAWN NO CHANGE T196-22390 | 07/10/96 | MDP |
| 10 | CHG TO RBC FORMAT PER IS 05-1777 | 12/15/05 | GOVARDAN |



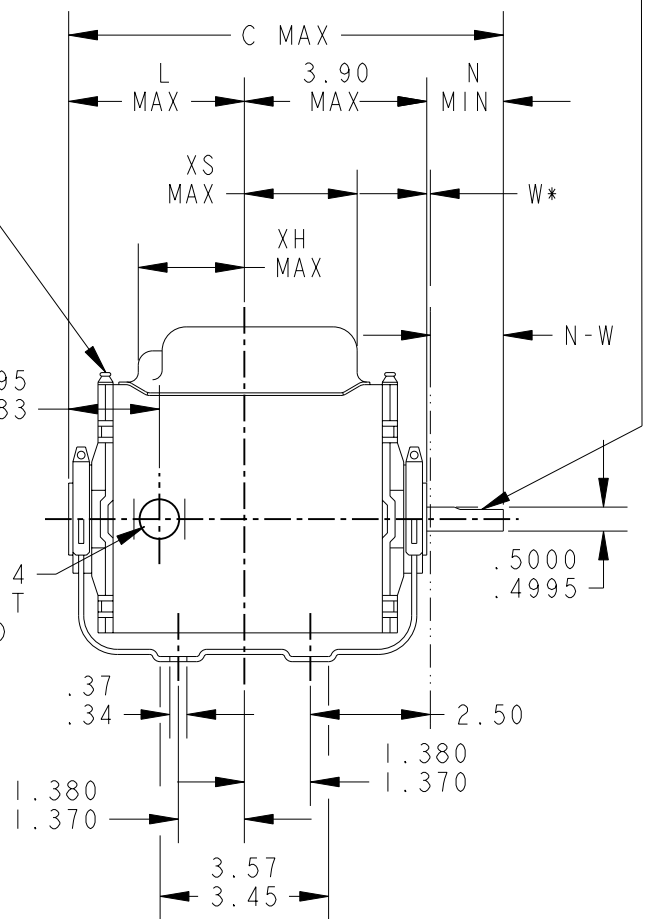
VIEW SHOWING
PE VENTILATION
OPENINGS



GREASE
FITTINGS
(WHEN SPEC)

.500-14
CONDUIT
THREAD

.05 X (K) LG.
FULL FLAT



*W IS A CLEARANCE DUE TO VARIATION IN PARTS & ASSEMBLY.

| | | | | | | | | | | | | |
|---|----|----|-----|-------|------|------|------|------|------|------|-----------|------|
| 7 | KC | 38 | 48 | 11.00 | 5.65 | 4.02 | 7.31 | 1.60 | 1.75 | 1.50 | 1.63/1.41 | 1.16 |
| 6 | KC | 35 | 48Z | 10.32 | 4.22 | 2.59 | 7.93 | 2.22 | 1.97 | 2.25 | 2.38/2.16 | 1.91 |
| 5 | KC | 36 | 48 | 10.00 | 4.65 | 3.02 | 7.93 | 2.22 | 1.22 | 1.50 | 1.63/1.41 | 1.16 |
| 4 | KC | 37 | 48 | 10.40 | 5.05 | 3.42 | 7.31 | 1.60 | 2.35 | 1.50 | 1.63/1.41 | 1.16 |
| 3 | KC | 36 | 48 | 10.00 | 4.65 | 3.02 | 7.31 | 1.60 | 2.35 | 1.50 | 1.63/1.41 | 1.16 |
| 2 | KC | 35 | 48 | 9.57 | 4.22 | 2.59 | 7.31 | 1.60 | 1.97 | 1.50 | 1.63/1.41 | 1.16 |
| 1 | KC | 33 | 48 | 9.19 | 3.84 | 2.21 | 7.31 | 1.60 | 2.35 | 1.50 | 1.63/1.41 | 1.16 |

| PT | TYPE | GE SIZE | NEMA FR | C | L | XH | XO | XR | XS | N | N-W | K |
|----|------|---------|---------|---|---|----|----|----|----|---|-----|---|
|----|------|---------|---------|---|---|----|----|----|----|---|-----|---|

| SIGNATURES | DATE |
|------------|----------|
| MODEL GLB | 02/18/75 |
| DETAIL | . |
| CHECKED | . |
| ENGRG | . |
| MFG | . |



REGAL-BELOIT CORPORATION

TITLE
OUTLINE
FORM N - GENERAL PURPOSE MOTOR - DRIP PROOF -
SOLID OR RESIL BASE - BALL OR SLEEVE BEARING

FOR ADDITIONAL INFO REFER TO:
APPLIED PRACTICES
DIMENSIONS ARE IN INCHES ✓
MATERIAL

| | |
|------------------------|--------------|
| QUALITY | . |
| ISSUED | MDP 07/10/96 |
| SOLID MODEL: 52A101469 | |

| | | | | |
|--------------|---|-----------|--|--------------|
| SIZE DRAWING | A | REF. No: | | SHEET 1 of 1 |
| SCALE: 1.000 | | 52A101469 | | REV 10 |

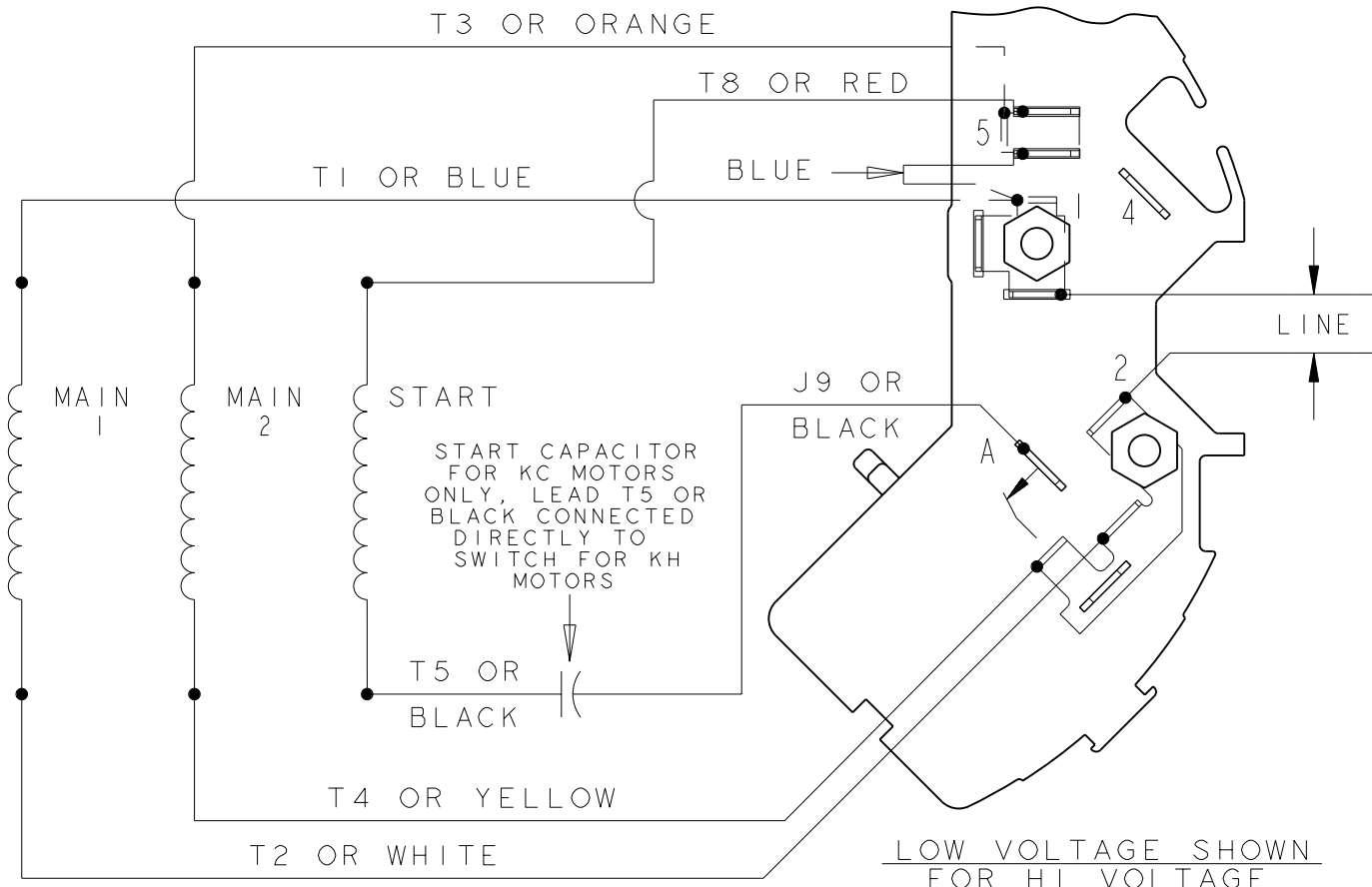




| | | | | |
|------------|------------------------|-----------|-------------------------------|------------------|
| SHEET 1 | THIRD ANGLE PROJECTION | REVISIONS | | |
| | | REV. 2 | DESCRIPTION UPDATED FORMAT | DATE 01/04/06 |

SIZE DRAWING NO. 52A105381AA

EITHER ROTATION - DUAL VOLTAGE
TYPE KC OR KH



- NOTE #1 - FOR HI VOLTAGE REMOVE BLUE FROM TERMINAL #5 AND PLACE ON TERMINAL #4, REMOVE WHITE (T2) FROM TERMINAL #2 AND PLACE ON TERMINAL #5.
- NOTE #2 - TO REVERSE ROTATION INTERCHANGE RED (T8) AND BLACK (J9-KC OR T5-KH) LEADS.
- NOTE #3 - WHEN MORE THAN ONE CAPACITOR IS USED CONNECT IN PARALLEL.

| | |
|----------------------|------------------------------|
| REF. DIAG. - 121A852 | SWITCH (C) - 115D958AB |
| | CONNECTION LABEL - 52X332050 |

| | | | |
|--|-----------------|----------|---|
| FOR ADDITIONAL INFO REFER TO: APPLIED PRACTICES DIMENSIONS ARE IN INCHES ✓ MATERIAL | SIGNATURES | DATE | <p>REGAL-BELOIT CORPORATION</p> <p>TITLE CONNECTION DIAGRAM</p> <p>FMF: 30 FRAME SWITCH REDESIGN</p> <p>SIZE DRAWING A</p> <p>SCALE: 1.000 REF. No: .</p> |
| | MODEL M.D. PAPE | 06/29/87 | |
| | DETAIL | . | |
| | CHECKED | . | |
| | ENGRG | . | |
| MFG | . | | |
| QUALITY | . | | |
| ISSUED M.D.P. | 06/29/87 | | |
| SOLID MODEL: 52A105381AA | | | |

