

PRODUCT INFORMATION PACKET



Model No: 5KC42GN0014X

Catalog No: C262

General Purpose Motor, 1/2 HP, 1 Ph, 60 Hz, 115/230 V, 56 Frame, TEFC



Regal and LEESON are trademarks of Regal Rexnord Corporation or one of its affiliated companies.
©2025 Regal Rexnord Corporation, All Rights Reserved. MC017097E





Nameplate Specifications

Phase	1	Output HP	1/2 Hp
Output KW	0.37 kW	Voltage	115/230 V
Speed	1725 rpm	Service Factor	1.15
Frame	56	Enclosure	Totally Enclosed Fan Cooled
Thermal Protection	Automatic	Ambient Temperature	40 °C
Frequency	60 Hz	Current	8.6/4.3 A
Power Factor	0	Duty	Continuous
Insulation Class	B	KVA Code	M
Drive End Bearing Size	6203	Opp Drive End Bearing Size	6203
UL	Recognized	CSA	Y
CE	N		

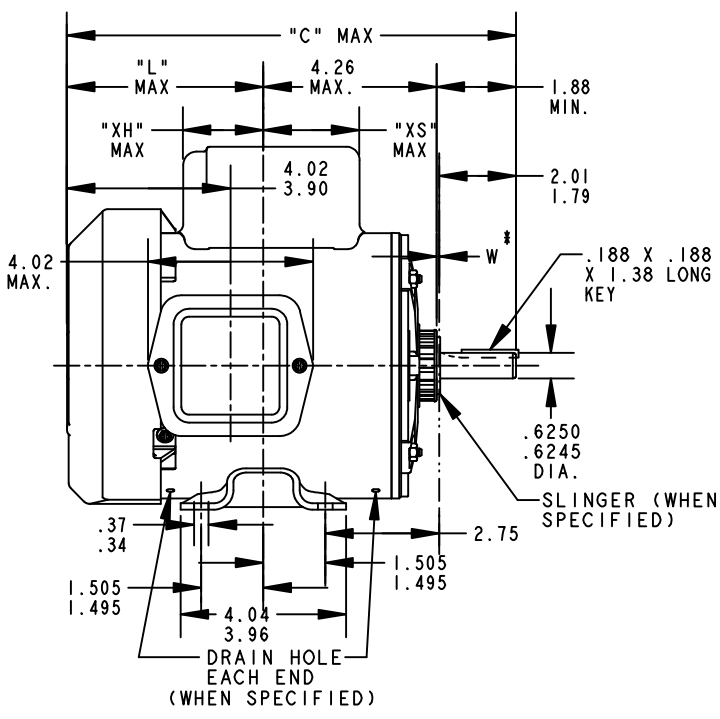
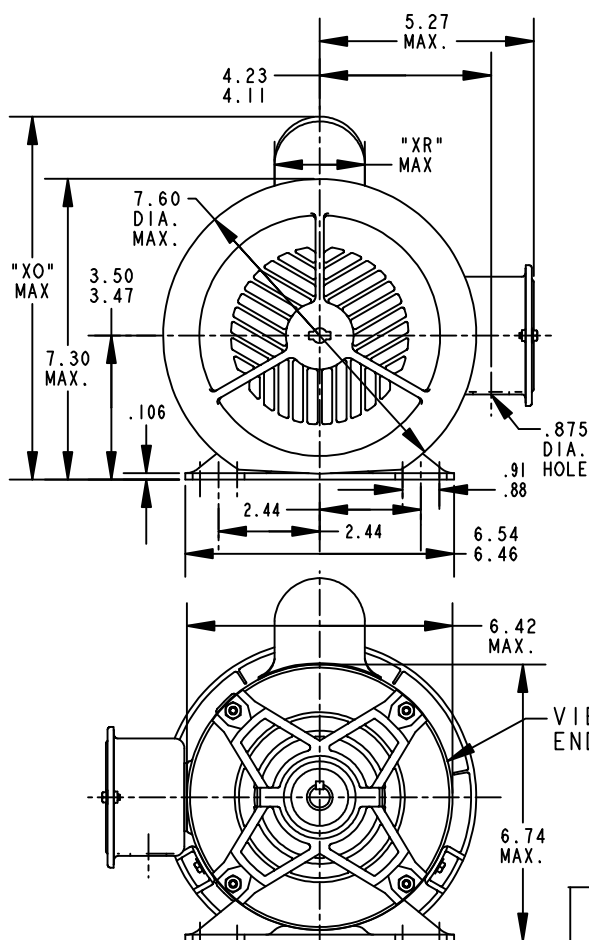
Technical Specifications

Electrical Type	Capacitor Start Induction Run	Starting Method	Across The Line
Poles	4	Rotation	Counterclockwise/Clockwise
Motor Orientation	Any	Drive End Bearing	Ball
Opp Drive End Bearing	Ball	Frame Material	Rolled Steel
Shaft Type	NEMA 56	Shaft Diameter	0.625 in
Outline Drawing	52A107631P1	Connection Drawing	52A105383BA

This is an uncontrolled document once printed or downloaded and is subject to change without notice. Date Created:11/13/2025

SHEET 1	THIRD ANGLE PROJECTION	REVISIONS			
		REV.	DESCRIPTION	DATE	APPROVED
REV 15		16	AADED PT# 9 PER DS10-0516	05/07/10	PRAVEEN.K

SIZE DRAWING NO.
A




*W IS A VARIABLE CLEARANCE DUE TO VARIATIONS IN PARTS AND ASSEMBLY

ALL DIMENSIONS ARE IN INCHES

9	KC	49	56	12.96	6.81	3.58	8.24	1.60	2.17	7.68
8	KC	48	56	13.71	6.05	4.33	8.26	2.40	2.92	8.43
7	KC	49	56	11.43	5.28	2.00	8.26	1.60	2.48	6.15
6	KC	49	56	12.43	6.28	3.51	8.22	1.60	2.24	7.15
5	KC	49	56	12.43	6.28	3.51	8.94	2.40	2.24	7.15
4	KC	49	56	12.96	6.81	3.58	8.94	2.40	2.17	7.68
3	KC	46	56	11.83	5.68	2.91	8.94	2.40	2.84	6.55
2	KC	46	56	11.83	5.68	2.91	8.84	2.22	1.63	6.55
1	KC	42	56	11.00	4.85	2.08	8.84	2.22	2.46	5.72
P	TYPE	GE SIZE	NEMA FR.	"C"	"L"	"XH"	"XO"	"XR"	"XS"	MIN. SHELL

FOR ADDITIONAL INFO REFER TO: APPLIED PRACTICES DIMENSIONS ARE IN INCHES	SIGNATURES		DATE
	MODEL	M.D.PAPE	10/23/90
	DETAIL	.	.
	CHECKED	.	.
	ENGRG	.	.
	MFG	.	.
	QUALITY	.	.
	ISSUED	M.D.PAPE	04/27/94
MATERIAL	SOLID MODEL: 52A107631		



REGAL-BELOIT CORPORATION

TITLE

OUTLINE

GENERAL PURPOSE MOTOR TEFC - BALL BEARING - WELDED BASE FMF - 40 FRAME REDESIGN

SIZE DRAWING

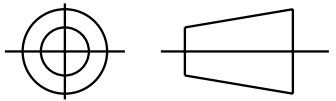
52A107631 REV **15**

SCALE: 0.250 REF. No: . SHEET 1 of 1



SHEET 1
REV 7
52A105383BA
SIZE DRAWING NO.

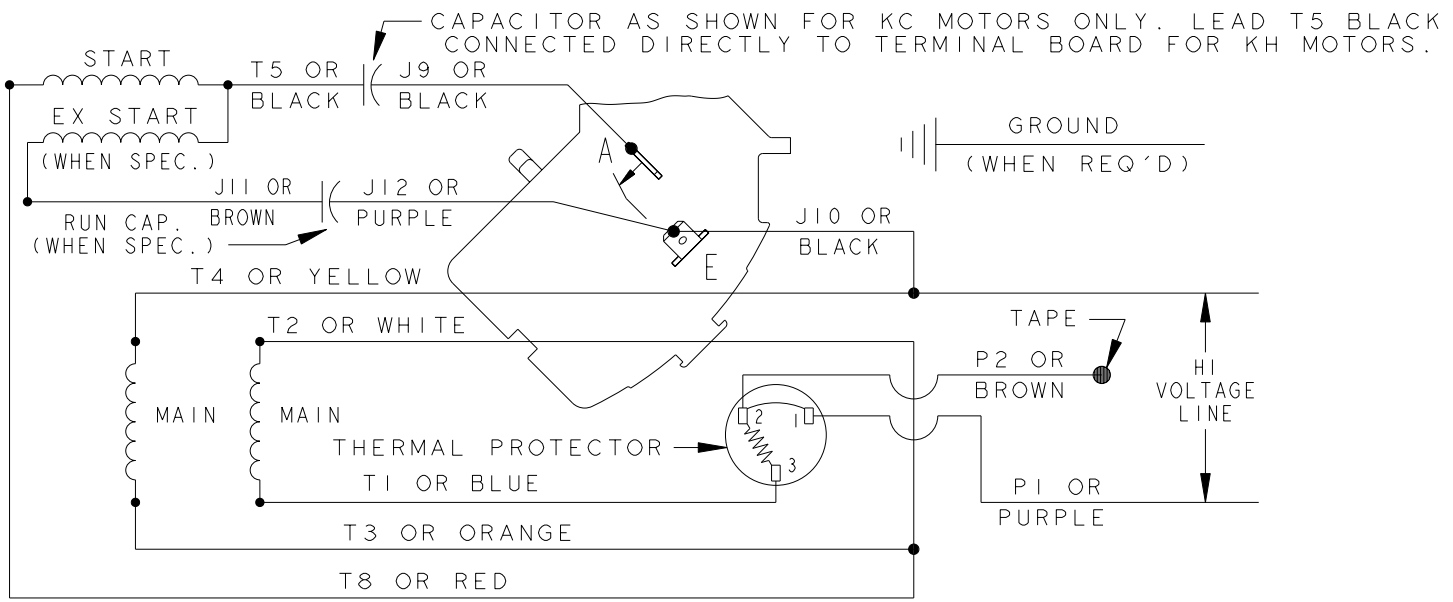
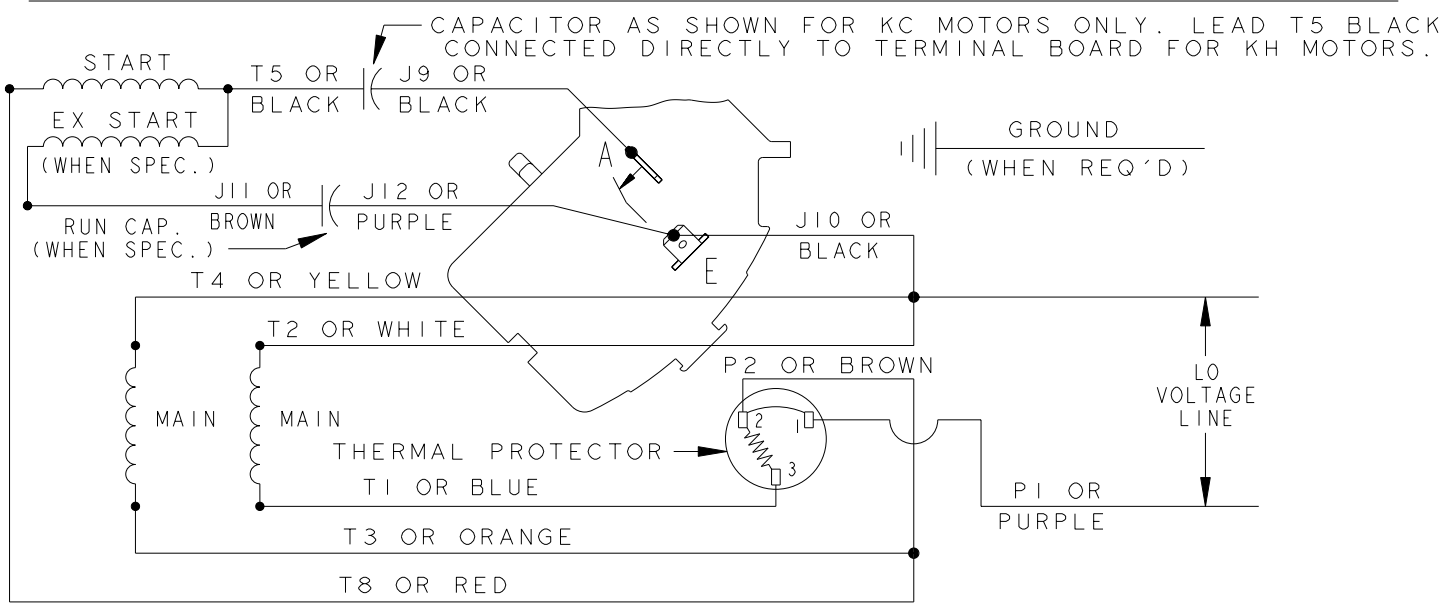
THIRD ANGLE PROJECTION



REVISIONS

REV.	DESCRIPTION	DATE	APPROVED
7	UPDATED FORMAT	01/05/06	MAM

CCW/CW ROTATION - DUAL VOLTAGE
TYPE KC , KH OR KCR - WITH THERMAL PROTECTOR



NOTE#1 - TO REVERSE ROTATION, INTERCHANGE T8 RED AND J10 BLACK LEADS.
NOTE#2 - WHEN MORE THAN ONE CAPACITOR IS USED, CONNECT IN PARALLEL.
NOTE#3 - 115D958ABP5 - HIGH CURRENT CONTACTS.

SWITCH (C) - 115D958ABP5, SWITCH (H) - 115D958AA (USE 115D958DA FOR EP)

REF. DIAG. - 113A327, 119A9352 & 52A102102 CONNECTION LABEL - 52X332912

FOR ADDITIONAL INFO REFER TO: APPLIED PRACTICES DIMENSIONS ARE IN INCHES ✓ MATERIAL	SIGNATURES	DATE	<p>REGAL-BELOIT CORPORATION</p> <p>TITLE CONNECTION DIAGRAM</p> <p>FMF: 30 FRAME SWITCH REDESIGN</p> <p>SIZE DRAWING 52A105383BA REV 7</p> <p>SCALE: 1.000 REF. No: . SHEET 1 of 1</p>
	MODEL M.D.P.	06/29/87	
	DETAIL	.	
	CHECKED	.	
	ENGRG	.	
MFG	.	.	
QUALITY	.	.	
ISSUED	M.D.P.	12/11/97	
SOLID MODEL: 52A105383BA			



REGAL REXNORD CORPORATION

TYPICAL PERFORMANCE CURVE for AC MOTOR

Customer

Curve at

230

Volts

HP 0.5

PHASE 1

Model No 5KC42GN0014X

60

HZ

VOLTS 115/230

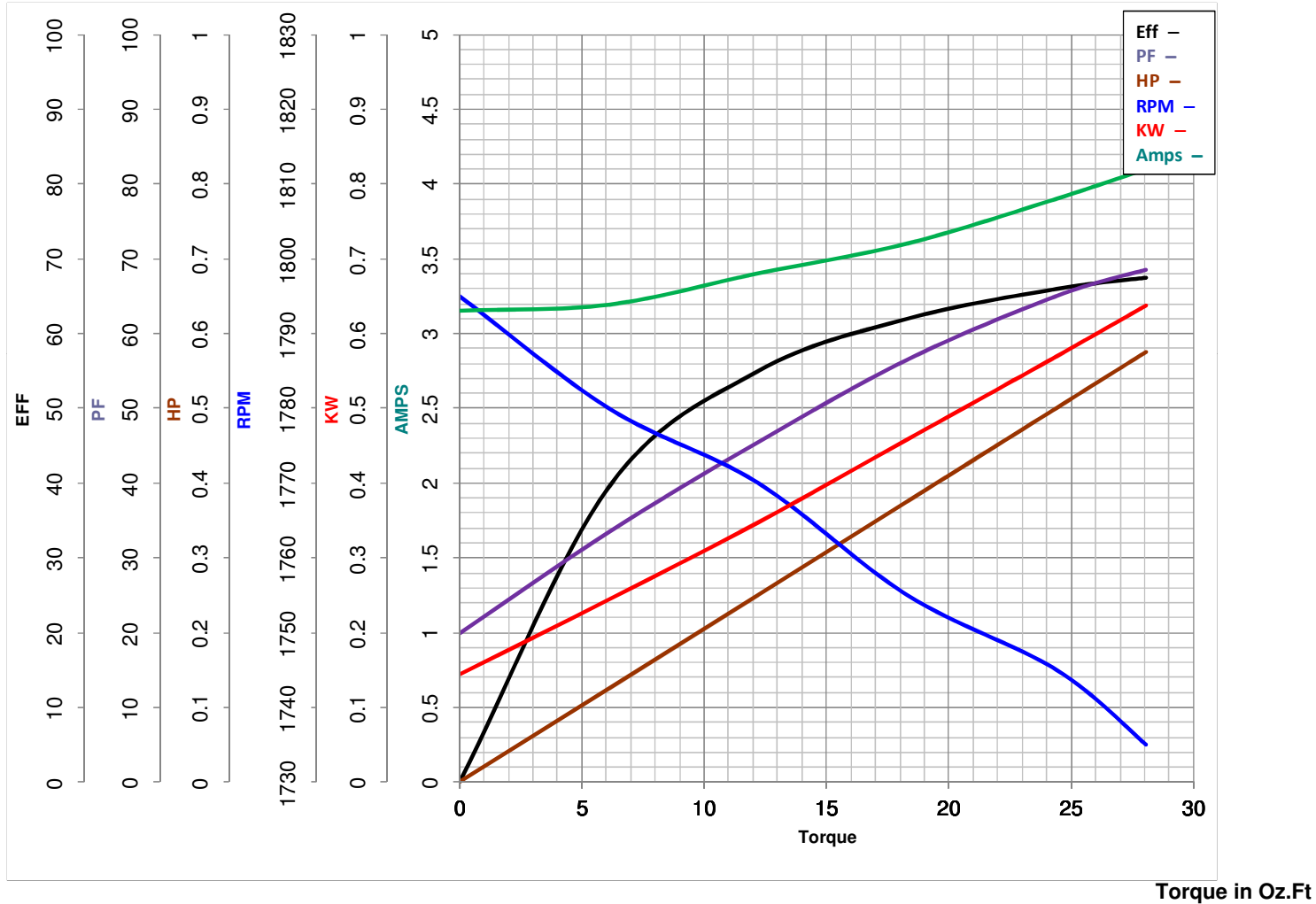
0.5

HP

Catalog No 0

HZ 60

RPM 1725



Torque in Oz.Ft

FL TORQUE 24.4 Oz.Ft

BD TORQUE 119.9 Oz.Ft

LR TORQUE 76.4 Oz.Ft

FL AMPS 8.6/4.3

PU TORQUE 68.8 Oz.Ft

LR AMPS 21.2

WINDING 52X330451P1 Prepared By BHARGAVI

Date 2/27/2018