

PRODUCT INFORMATION PACKET



Model No: 5KC42GN0066

Catalog No: C375

General Purpose Motor, 1/2 HP, 1 Ph, 60 Hz, 115/230 V, 56C Frame, TEFC



Regal and LEESON are trademarks of Regal Rexnord Corporation or one of its affiliated companies.

©2025 Regal Rexnord Corporation, All Rights Reserved. MC017097E





Nameplate Specifications

Phase	1	Output HP	1/2 Hp
Output KW	0.37 kW	Voltage	115/230 V
Speed	1725 rpm	Service Factor	1.15
Frame	56C	Enclosure	Totally Enclosed Fan Cooled
Thermal Protection	No Protection	Ambient Temperature	40 °C
Frequency	60 Hz	Current	8.6/4.3 A
Power Factor	0	Duty	Continuous
Insulation Class	B	KVA Code	M
Drive End Bearing Size	6203	Opp Drive End Bearing Size	6203
UL	Recognized	CSA	Y
CE	N	IP Code	43

Technical Specifications

Electrical Type	Capacitor Start Induction Run	Starting Method	Across The Line
Poles	4	Rotation	Counterclockwise/Clockwise
Motor Orientation	Any	Drive End Bearing	Locked
Opp Drive End Bearing	Ball	Frame Material	Rolled Steel
Shaft Type	NEMA 56C	Shaft Diameter	0.625 in
Connection Drawing	52A105381BA	Outline Drawing	52A107662P1

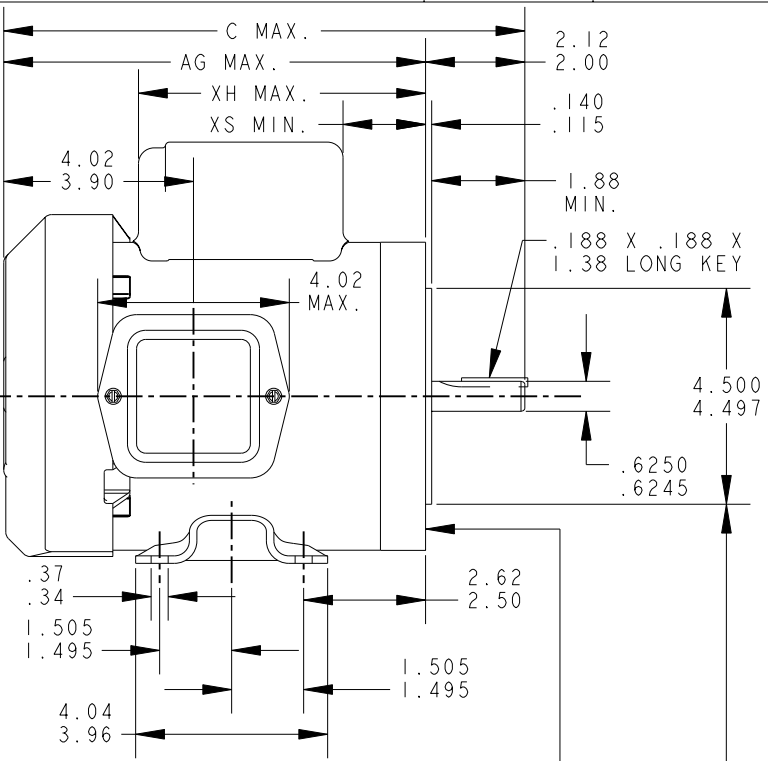
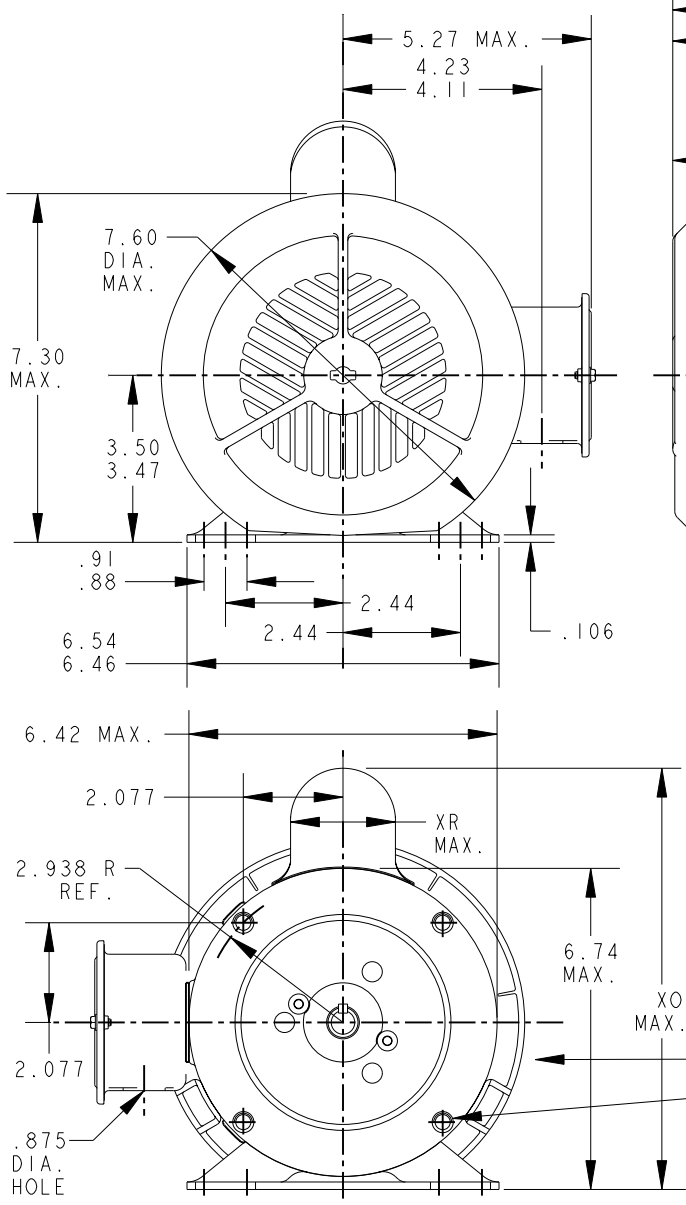
This is an uncontrolled document once printed or downloaded and is subject to change without notice. Date Created:11/13/2025



SHEET —	THIRD ANGLE PROJECTION	REVISIONS			
		REV.	DESCRIPTION	DATE	APPROVED
REV 11		11	CHG TO RBC FORMAT PER ISO5-1777	03/01/06	ARCHANA

SIZE DRAWING NO.
A

52A107662 11



FACE RUNOUT (WITH INDICATOR MOUNTED STATIONARY RELATIVE TO SHAFT) MUST NOT EXCEED .004 T.I.R.

ECCENTRICITY OF THIS SURFACE (WITH INDICATOR MOUNTED STATIONARY RELATIVE TO SHAFT) MUST NOT EXCEED .004 T.I.R.

VIEW OF P.E. END SHIELD

.375-16 UNC-2B (4 HOLES) .70 MIN. FULL THREAD. THESE HOLES FIT A GAGE HAVING A RABBET 4.5005 DIA. AND 4 PINS .2917 DIA. LOCATED ON THE BASIC HOLE POSITIONS.

6	KC	49	56CY	12.97	10.85	7.61	8.69	2.15	1.86	7.68
5	KC	49	56CY	12.40	10.28	7.50	8.95	2.22	2.07	7.15
4	KC	49	56CY	12.44	10.32	7.54	8.22	1.60	1.79	7.15
3	KC	49	56CY	12.97	10.85	7.61	8.94	2.40	1.86	7.68
2	KC	46	56CY	11.84	9.72	6.48	8.84	2.22	1.94	6.55
1	KC	42	56CY	11.01	8.89	6.12	8.84	2.22	1.58	5.72
P	TYPE	GE SIZE	NEMA FR	C	AG	XH	XO	XR	XS	MIN. SHELL

FOR ADDITIONAL INFO REFER TO:	SIGNATURES	DATE	
	MODEL	M.D. PAPE	04/18/91
	DETAIL	.	.
	CHECKED	.	.
	ENGRG	.	.
MFG	.	.	
APPLIED PRACTICES	QUALITY	.	
DIMENSIONS ARE IN INCHES ✓	ISSUED	M.D. PAPE 10/22/02	
MATERIAL	SOLID MODEL: 52A107662		

REGAL-BELOIT CORPORATION

TITLE
OUTLINE

40 FRAME REDESIGN - GENERAL PURPOSE MOTOR - TEFC
BALL BEARING - WELDED BASE - R2 END MOUNTED

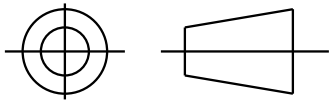
SIZE DRAWING
A

SCALE: 0.003 REF. No: . SHEET 1 of 1



SHEET 1
REV 3
SIZE DRAWING NO. 52A105381BA

THIRD ANGLE PROJECTION

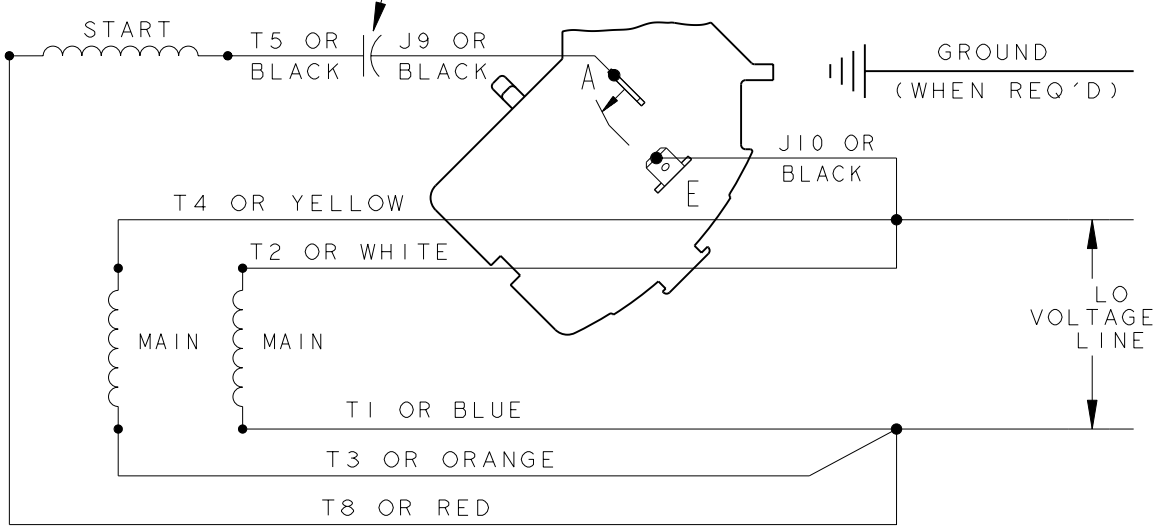


REVISIONS

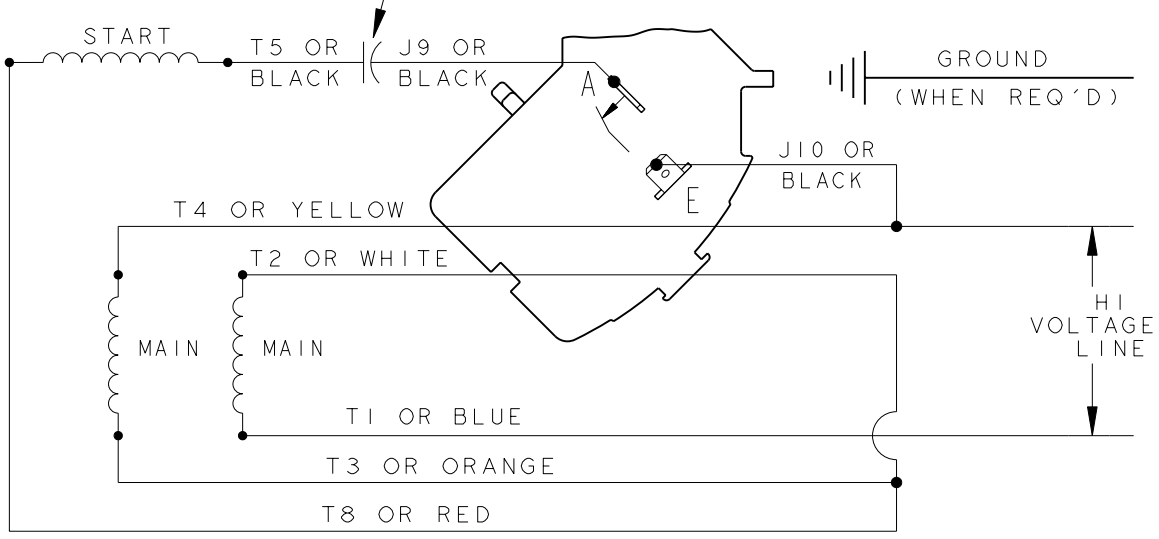
REV.	DESCRIPTION	DATE	APPROVED
3	UPDATED FORMAT	01/04/06	MAM

CCW/CW ROTATION - DUAL VOLTAGE
TYPE KC OR KH

CAPACITOR AS SHOWN FOR KC MOTORS ONLY. LEAD T5 BLACK CONNECTED DIRECTLY TO TERMINAL BOARD FOR KH MOTORS.



CAPACITOR AS SHOWN FOR KC MOTORS ONLY. LEAD T5 BLACK CONNECTED DIRECTLY TO TERMINAL BOARD FOR KH MOTORS.




NOTE#1 - TO REVERSE ROTATION, INTERCHANGE T8 RED AND J10 BLACK LEADS.
NOTE#2 - WHEN MORE THAN ONE CAPACITOR IS USED, CONNECT IN PARALLEL.

SWITCH (H) - 115D958AA

REF. DIAG. - 113A326

CONNECTION LABEL - 52X332917

SIGNATURES		DATE
MODEL	M. D. PAPE	06/29/87
DETAIL	.	.
CHECKED	.	.
ENGRG	.	.
MFG	.	.
FOR ADDITIONAL INFO REFER TO:	QUALITY	.
APPLIED PRACTICES	ISSUED	M. D. P. 06/29/87
DIMENSIONS ARE IN INCHES ✓	SOLID MODEL: 52A105381BA	



REGAL-BELOIT CORPORATION

TITLE CONNECTION DIAGRAM

FMF: 30 FRAME SWITCH REDESIGN

SIZE DRAWING: **A**

SCALE: 1.000 REF. No: .

52A105381BA

REV **3**

SHEET 1 of 1