

PRODUCT INFORMATION PACKET



Model No: 5KC46GN0251
Catalog No: C1458
Instant Reversing Motor, 1/2 HP, 1 Ph, 60 Hz, 115/230 V, 56 Frame, DP



Regal and LEESON are trademarks of Regal Rexnord Corporation or one of its affiliated companies.
©2025 Regal Rexnord Corporation, All Rights Reserved. MC017097E





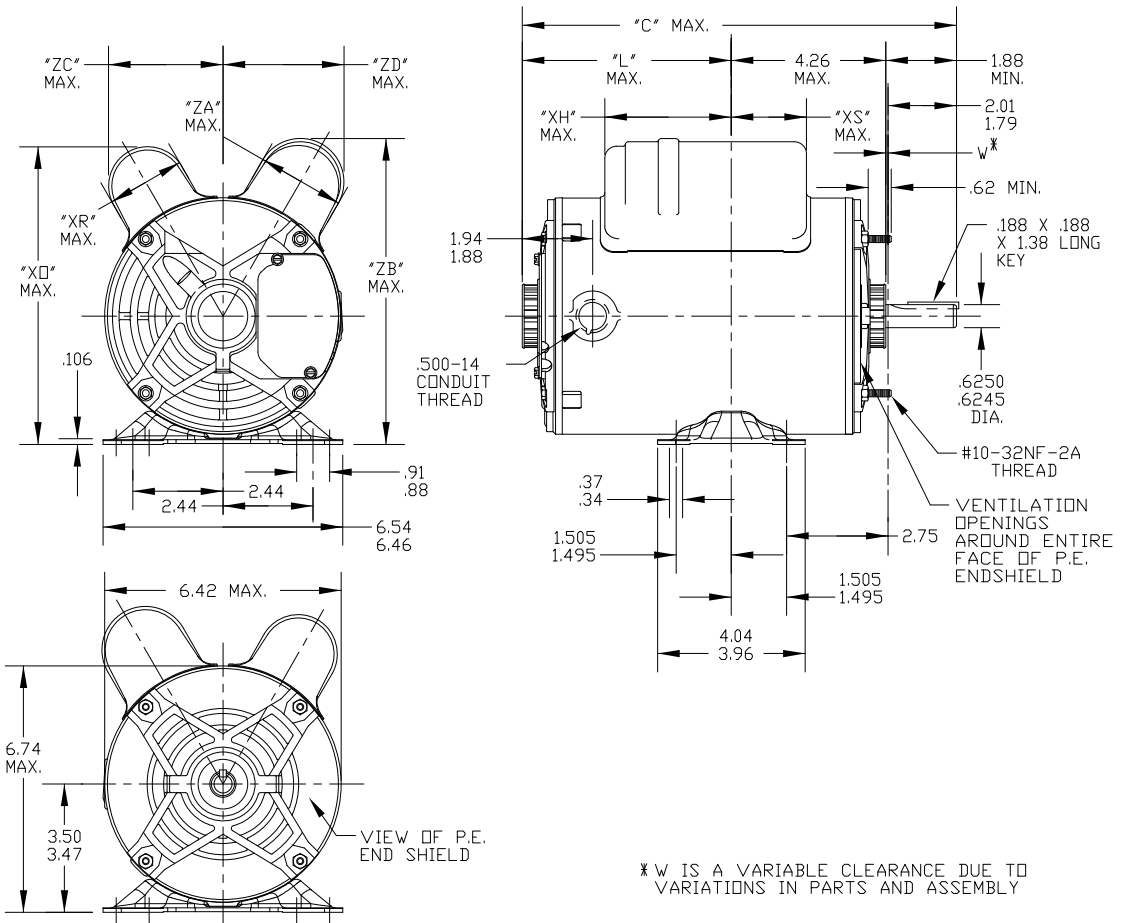
Nameplate Specifications

Phase	1	Output HP	1/2 Hp
Output KW	0.37 kW	Voltage	115/230 V
Speed	1725 rpm	Service Factor	1.25
Frame	56	Enclosure	Drip Proof
Thermal Protection	No Protection	Ambient Temperature	40 °C
Frequency	60 Hz	Current	8.8/4.4 A
Power Factor	0	Duty	Continuous
Insulation Class	B	KVA Code	N
Drive End Bearing Size	6203	Opp Drive End Bearing Size	6203
UL	Recognized	CSA	Y
CE	N		

Technical Specifications

Electrical Type	Capacitor Start Induction Run	Starting Method	Across The Line
Poles	4	Rotation	Instant Reversible
Motor Orientation	Any	Drive End Bearing	Ball
Opp Drive End Bearing	Ball	Frame Material	Rolled Steel
Shaft Type	NEMA 56	Shaft Diameter	0.625 in
Connection Drawing	52A106888	Outline Drawing	52A107886P1

This is an uncontrolled document once printed or downloaded and is subject to change without notice. Date Created:11/13/2025



2	KC	49	56	11.38	5.22	3.16	8.18	2.15	2.41	2.40	8.40	3.20	3.38	7.15	
1	KC	46	56	10.78	4.62	2.81	8.18	2.15	2.81	2.40	8.40	3.20	3.38	6.55	
P	TYPE	GE SIZE	NEMA FR	"C"	"L"	"XH"	"XD"	"XR"	"XS"	"ZA"	"ZB"	"ZC"	"ZD"	MIN. SHELL	

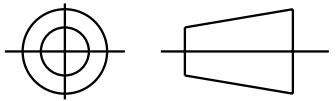
				TOLERANCES UNLESS SPECIFIED								DRAWN MA MARKS 1/21/94	
				DEC. INCHES								CHK	
				.X ±.1								APPD MA MARKS 1/21/94	
				.XX ±.03						TITLE OUTLINE		SCALE 1	
3 UPDATED BASE AS PER ECR-0224925				PS 08/31/2023		SN .XXX ±.005				GENERAL PURPOSE MOTOR DRIP PROOF - BALL BEARING - WELD BASE FMF - 40 FRAME REDESIGN (5KC46Q0251Y)		REF	
2 CHG TO RBC FORMAT PER IS05-1777				03/16/2012		SUDHA .XXXX ±.0005				MAT'L.		FMF	
NO. REVISION				BY & DATE		CHK ANG ± 7'30"				FINISH		PREV	
THIS DRAWING IN DESIGN AND DETAIL IS OUR PROPERTY AND MUST NOT BE USED EXCEPT IN CONNECTION WITH OUR WORK ALL RIGHTS OF DESIGN AND INVENTION ARE RESERVED THIS IS AN ELECTRONICALLY GENERATED DOCUMENT - DO NOT SCALE THIS PRINT				RFP		CAD FILE 52A107886		SIZE A		DRAWING NO. 52A107886		PAGE OF 3	
				DIST								REV. 3	

Regal Rexnord Regal Beloit America, Inc.



SHEET 1
REV 2
52A106888
SIZE DRAWING NO. A

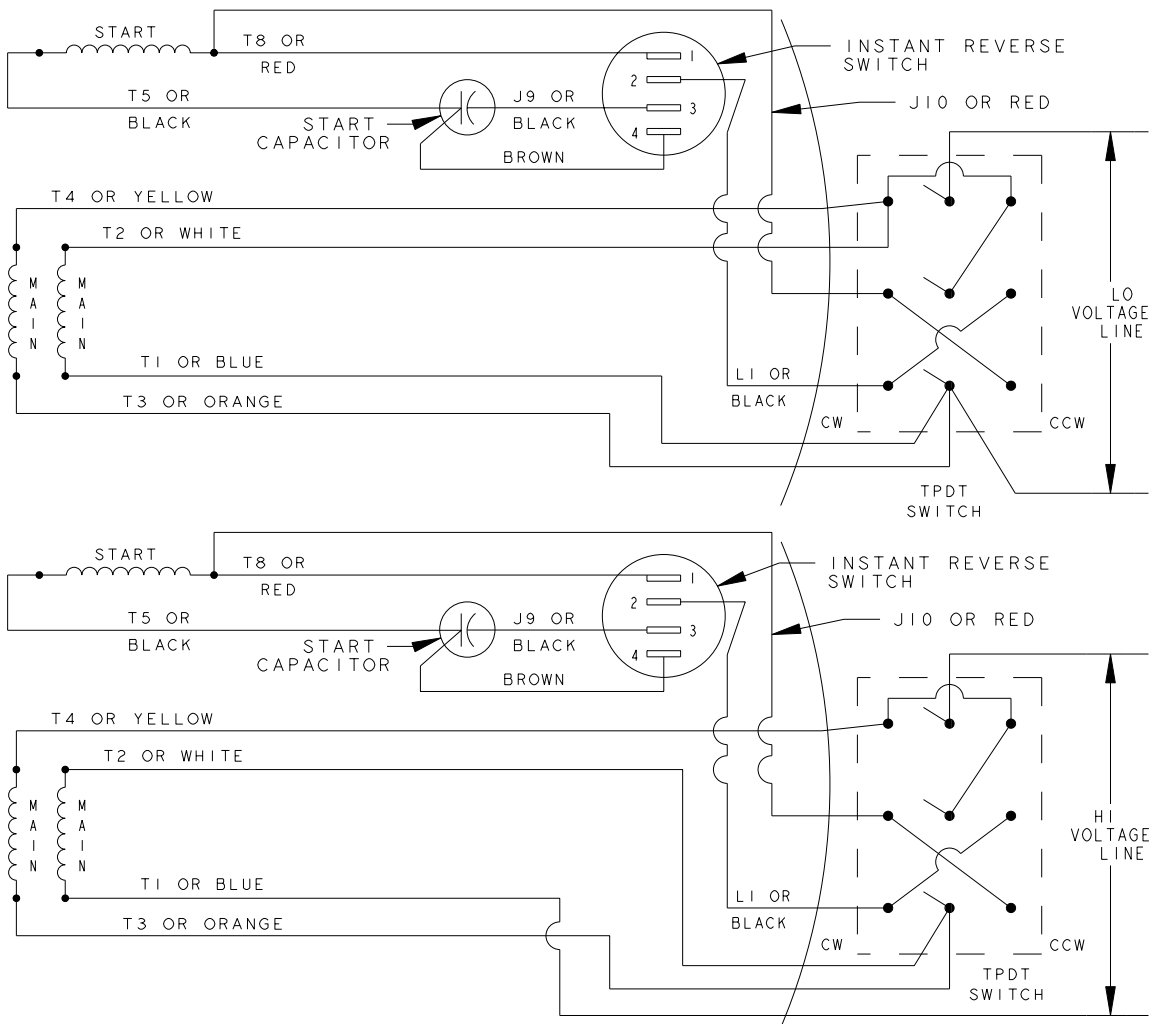
THIRD ANGLE PROJECTION



REVISIONS

REV.	DESCRIPTION	DATE	APPROVED
2	UPDATED TO RBC FORMAT	01/11/06	MAM

INSTANTLY REVERSIBLE STERNS IR SWITCH
DUAL VOLTAGE - TYPE KC




- NOTE#1 - WHEN MORE THAN ONE CAPACITOR IS USED, CONNECT IN PARALLEL.
 NOTE#2 - DO NOT APPLY HI-POT VOLTAGE FROM LEAD TO LEAD.
 TIE ALL LEADS TOGETHER AND HI-POT TO GROUND.
 IF HI-POT LEAD TO LEAD IS PERFORMED, DISCONNECT SWITCH PRIOR TO HI-POT OPERATION. FAILURE TO DO THIS COULD RESULT IN ELECTRONIC COMPONENT IN S.S. SWITCH.

REF. DIAG. - NONE

CONNECTION LABEL - 52X333067

SIGNATURES		DATE
MODEL	M.D.P.	06/17/92
DETAIL	.	.
CHECKED	.	.
ENGRG	.	.
MFG	.	.
QUALITY	.	.
ISSUED	M.D.P.	06/17/92
SOLID MODEL: 52A106888		



REGAL-BELOIT CORPORATION

TITLE CONNECTION DIAGRAM

FMF: 5KC35HNA323

SIZE DRAWING: A

SCALE: 1.000 REF. No: . SHEET 1 of 1

