

PRODUCT INFORMATION PACKET



Model No: 5KC46JN0002X

Catalog No: C138

General Purpose Motor, 3/4 HP, 1 Ph, 60 Hz, 115/208-230 V, 56 Frame, DP



Regal and LEESON are trademarks of Regal Rexnord Corporation or one of its affiliated companies.
©2025 Regal Rexnord Corporation, All Rights Reserved. MC017097E





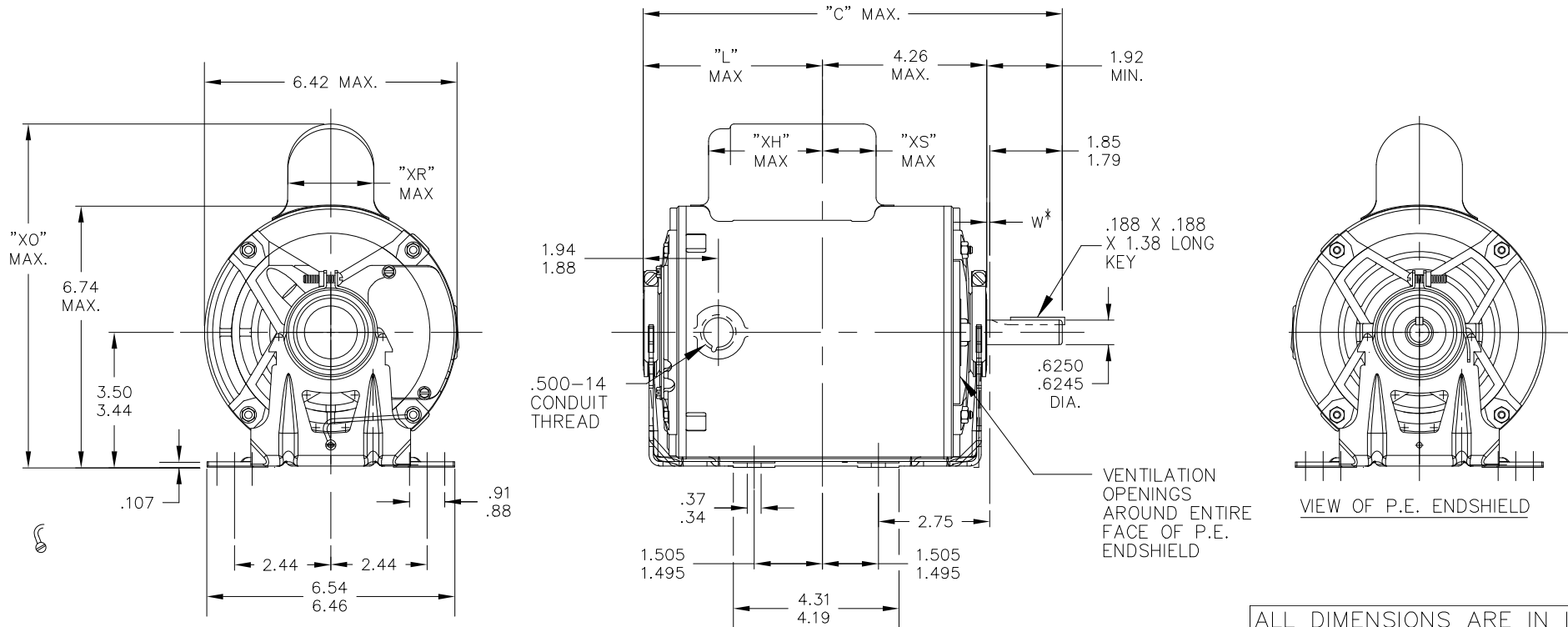
Nameplate Specifications

| | | | |
|------------------------|------------|----------------------------|----------------|
| Phase | 1 | Output HP | 3/4 Hp |
| Output KW | 0.56 kW | Voltage | 115/208-230 V |
| Speed | 1725 rpm | Service Factor | 1.25 |
| Frame | 56 | Enclosure | Drip Proof |
| Thermal Protection | Automatic | Ambient Temperature | 40 °C |
| Frequency | 60 Hz | Current | 11.4/5.6-5.7 A |
| Power Factor | 0 | Duty | Continuous |
| Insulation Class | B | KVA Code | K |
| Drive End Bearing Size | 6203 | Opp Drive End Bearing Size | 6203 |
| UL | Recognized | CSA | Y |
| CE | N | IP Code | 22 |

Technical Specifications

| | | | |
|-----------------------|-------------------------------|--------------------|----------------------------|
| Electrical Type | Capacitor Start Induction Run | Starting Method | Across The Line |
| Poles | 4 | Rotation | Selective Counterclockwise |
| Motor Orientation | Any | Drive End Bearing | Ball |
| Opp Drive End Bearing | Ball | Frame Material | Rolled Steel |
| Shaft Type | NEMA 56 | Shaft Diameter | 0.625 in |
| Outline Drawing | 52A107622P9 | Connection Drawing | 52A105383AA |

This is an uncontrolled document once printed or downloaded and is subject to change without notice. Date Created:11/13/2025




ALL DIMENSIONS ARE IN INCHES

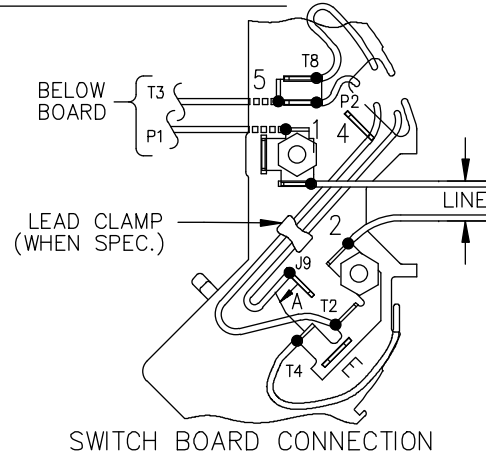
CONTINUED ON 52A107799

*W IS A VARIABLE CLEARANCE DUE TO VARIATIONS IN PARTS AND ASSEMBLY

| 9 | KC | 46 | 56 | 10.78 | 4.62 | 2.92 | 8.94 | 2.40 | 2.82 | | 6.55 |
|---|------|---------|----------|-------|------|------|------|------|------|--|------------|
| 8 | KC | 49 | 56 | 11.38 | 5.22 | 3.63 | 8.62 | 2.08 | 2.12 | | 7.15 |
| 7 | KC | 46 | 56 | 10.78 | 4.62 | 2.18 | 8.94 | 2.40 | 2.36 | | 6.55 |
| 6 | KC | 49 | 56 | 11.38 | 5.22 | 3.63 | 8.22 | 1.60 | 2.12 | | 7.15 |
| 5 | KC | 46 | 56 | 10.78 | 4.62 | 3.03 | 8.22 | 1.60 | 2.73 | | 6.55 |
| 4 | KC | 42 | 56 | 9.95 | 3.79 | 2.20 | 8.22 | 1.60 | 2.34 | | 5.72 |
| 3 | KC | 49 | 56 | 11.38 | 5.22 | 3.63 | 8.94 | 2.40 | 2.12 | | 7.15 |
| 2 | KC | 42 | 56 | 9.95 | 3.79 | 2.20 | 8.94 | 2.40 | 2.34 | | 5.72 |
| 1 | KC | 46 | 56 | 10.78 | 4.62 | 3.03 | 8.94 | 2.40 | 2.73 | | 6.55 |
| P | TYPE | FR SIZE | NEMA FR. | "C" | "L" | "XH" | "XO" | "XR" | "XS" | | MIN. SHELL |

| | | | | TOLERANCES UNLESS SPECIFIED | | REGAL-BELOIT CORPORATION | | | | DRAWN M.D.P 09/17/90 | |
|--|---------------------------------------|-----------|----------|-----------------------------|----------|---|------|-------------|-----------|----------------------|--|
| | | | | DEC. | INCHES | REGAL-BELOIT CORPORATION | | | | CHK M.D.P 09/17/90 | |
| 15 | ADDED GROUND SCREW AS PER ECR-0228170 | MP | 09/08/23 | .X | ±.1 |  REGAL-BELOIT CORPORATION TITLE: OUTLINE GENERAL PURPOSE MOTOR DRIP PROOF MAT'L. FINISH | | | | APPD | |
| 14 | CHANGED BASE PER ECR-0220283 | AP | 08/19/22 | SN | .XX | | | | | SCALE 3=8 | |
| 13 | ADDED PART # 8 PER SAMPLE DS13-2295 | UD | 06/21/13 | GRB | .XXX | | | | | REF | |
| 12 | CHG "XS" DIMENSION PER IS08-2395 | MD | 07/01/08 | | .XXXX | | | | | FMF | |
| NO. | REVISION | BY & DATE | CHK | ANG | ±1/2" | | | | | PREV | |
| THIS DRAWING IN DESIGN AND DETAIL IS OUR PROPERTY AND MUST NOT BE USED EXCEPT IN CONNECTION WITH OUR WORK ALL RIGHTS OF DESIGN AND INVENTION ARE RESERVED THIS IS AN ELECTRONICALLY GENERATED DOCUMENT - DO NOT SCALE THIS PRINT | | | | RFP | CAD FILE | 52A107622 | SIZE | DRAWING NO. | REV. | | |
| | | | | DIST | 3 of 4 | | | A | 52A107622 | 14 | |

EITHER ROTATION, DUAL VOLTAGE, TYPE KC OR KH, WITH THERMAL PROTECTION



NOTE #1 - START CAP & J9 WHEN SPECIFIED (*). IF NO CAPACITOR (KH), CONNECT T5 DIRECTLY TO SWITCH (A). WHEN MORE THAN ONE CAPACITOR IS USED, CONNECT IN PARALLEL.

NOTE #2 - TO REVERSE ROTATION, INTER CHANGE RD(T8) AND BLK(J9-KC OR T5-KH) LEADS.

| | | |
|-------------------------|------------------|-----------------------------|
| SWITCH REF. - 115D958AB | CONNECTION LABEL | CCW ROTATION: NP52X332051AA |
| | | CW ROTATION: NP52X332051AC |

| NO. | REVISION | BY & DATE | CHK | TOLERANCES UNLESS SPECIFIED | | FINISH | DRAWN M.D.P 06/29/87 | | |
|--|--|-------------|-----|-----------------------------|----------|---|----------------------|-------------------------|--------|
| | | | | DEC. | INCHES | | | | |
| | | | | .X | ±0.1 | REGAL-BELOIT CORPORATION TITLE CONNECTION DIAGRAM 30 FRAME SWITCH REDESIGN | CHK | | |
| | | | | .XX | ±0.02 | | APPD M.D.P 03/26/96 | | |
| 5 | ADDED CONNECTION LABEL PER ECO-0030779 | UD 02/06/13 | PKG | .XXX | ±0.005 | MAT'L. | SCALE 1=1 | | |
| 4 | UPDATED PER ISO7-0150 | MD 01/23/07 | | .XXXX | ±0.0005 | | REF | | |
| | | | | ANG | ±1.0 | PREV | | | |
| THIS DRAWING IN DESIGN AND DETAIL IS OUR PROPERTY AND MUST NOT BE USED EXCEPT IN CONNECTION WITH OUR WORK. ALL RIGHTS OF DESIGN AND INVENTION ARE RESERVED. THIS IS AN ELECTRONICALLY GENERATED DOCUMENT - DO NOT SCALE THIS PRINT | | | | RFP | CAD FILE | 52A105383AA | SIZE A | DRAWING NO. 52A105383AA | REV. 5 |
| | | | | DIST | | | | | |