

PRODUCT INFORMATION PACKET



Model No: 5KC46LN0149X
Catalog No: C1156
General Purpose Motor, 3/4 HP, 1 Ph, 60 Hz, 115/208-230 V, 56 Frame, DP



Regal and LEESON are trademarks of Regal Rexnord Corporation or one of its affiliated companies.
©2025 Regal Rexnord Corporation, All Rights Reserved. MC017097E





Nameplate Specifications

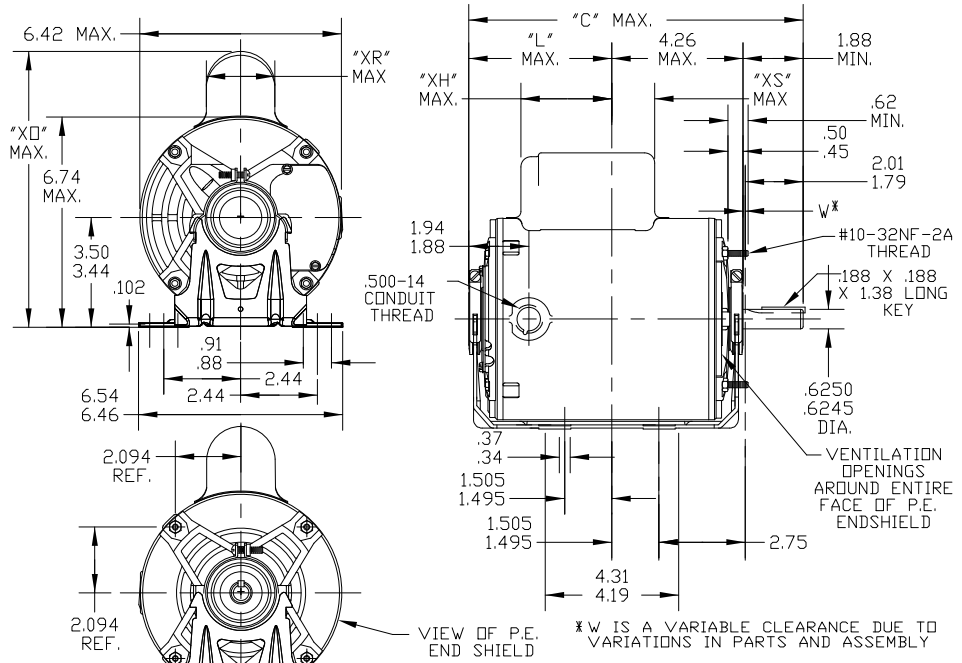
Phase	1	Output HP	3/4 Hp
Output KW	0.56 kW	Voltage	115/208-230 V
Speed	1725 rpm	Service Factor	1.25
Frame	56	Enclosure	Drip Proof
Thermal Protection	Automatic	Ambient Temperature	40 °C
Frequency	60 Hz	Current	13.3/6.5-6.6 A
Power Factor	0	Duty	Continuous
Insulation Class	B	KVA Code	L
Drive End Bearing Size	6203	Opp Drive End Bearing Size	6203
UL	Recognized	CSA	Y
CE	N		

Technical Specifications

Electrical Type	Capacitor Start Induction Run	Starting Method	Across The Line
Poles	4	Rotation	Selective Counterclockwise
Motor Orientation	Any	Drive End Bearing	Ball
Opp Drive End Bearing	Ball	Frame Material	Rolled Steel
Shaft Type	NEMA 56	Shaft Diameter	0.625 in
Connection Drawing	52A105383AA	Outline Drawing	52A107737P5

This is an uncontrolled document once printed or downloaded and is subject to change without notice. Date Created:11/13/2025

52A107737



ALL DIMENSIONS ARE IN INCHES

				"C"	"L"	"XH"	"XD"	"XR"	"XS"	
10	KC	49	56	10.38	4.22	2.72	8.84	2.22	2.72	6.15
9	KC	48	56	12.66	6.50	3.40	8.22	1.60	2.29	8.43
8	KC	46	56	10.78	4.62	2.44	8.84	2.22	2.10	6.55
7	KC	49	56	10.38	4.22	2.63	8.22	1.60	1.91	6.15
6	KC	49	56	11.38	5.22	3.63	8.22	1.60	2.12	7.15
5	KC	46	56	10.78	4.62	3.03	8.22	1.60	1.51	6.55
4	KC	42	56	9.95	3.79	2.20	8.22	1.60	2.34	5.72
3	KC	49	56	11.38	5.22	3.63	8.94	2.40	2.12	7.15
2	KC	42	56	9.95	3.79	2.20	8.84	2.22	2.34	5.72
1	KC	46	56	10.78	4.62	3.03	8.84	2.22	1.51	6.55
P	TYPE	GE SIZE	NEMA FR.	"C"	"L"	"XH"	"XD"	"XR"	"XS"	MIN. SHELL

		TOLERANCES UNLESS SPECIFIED		Regal Rexnord Regal Beloit America, Inc.		DRAWN M.D.P 10/10/91	
		DEC.	INCHES			CHK	
		X	±.1			APPD M.D.P 05/17/99	
		XX	±.03	TITLE OUTLINE		SCALE 1=4	
8		UPDATED BASE AS PER ECR-0224925		PS	09/29/2023	GENERAL PURPOSE MOTOR DRIP PROOF - BALL BEARING - RESILIENT BASE EXTENDED CLAMP SCREWS FMF - 40 FRAME REDESIGN (SKCAD000020)	
7		UPDATED PT# 10 PER ISAAC 06-0996			05/17/06	REF	
NO.	REVISION	BY	DATE	CHK	ANG	FINISH	PREV
				RFP		CAD FILE 52A107737	SIZE A
				DIST			DRAWING NO. 52A107737
							PAGE 8
							REV. 8

THIS DRAWING IN DESIGN AND DETAIL IS OUR PROPERTY AND MUST NOT BE USED EXCEPT IN CONNECTION WITH OUR WORK ALL RIGHTS OF DESIGN AND INVENTION ARE RESERVED THIS IS AN ELECTRONICALLY GENERATED DOCUMENT - DO NOT SCALE THIS PRINT

EITHER ROTATION, DUAL VOLTAGE, TYPE KC OR KH, WITH THERMAL PROTECTION



NOTE #1 - START CAP & J9 WHEN SPECIFIED (*). IF NO CAPACITOR (KH), CONNECT T5 DIRECTLY TO SWITCH (A). WHEN MORE THAN ONE CAPACITOR IS USED, CONNECT IN PARALLEL.

NOTE #2 - TO REVERSE ROTATION, INTER CHANGE RD(T8) AND BLK(J9-KC OR T5-KH) LEADS.

SWITCH REF. - 115D958AB	CONNECTION LABEL	CCW ROTATION: NP52X332051AA
		CW ROTATION: NP52X332051AC

NO.	REVISION	BY & DATE	CHK	TOLERANCES UNLESS SPECIFIED		FINISH	DRAWN M.D.P 06/29/87		
				DEC.	INCHES				
				.X	±0.1	REGAL-BELOIT CORPORATION TITLE CONNECTION DIAGRAM 30 FRAME SWITCH REDESIGN	CHK		
				.XX	±0.02		SCALE 1=1		
5	ADDED CONNECTION LABEL PER ECO-0030779	UD 02/06/13	PKG	.XXX	±0.005	MAT'L.	APPD M.D.P 03/26/96		
4	UPDATED PER ISO7-0150	MD 01/23/07		.XXXX	±0.0005		REF		
				ANG	±1.0	PREV			
THIS DRAWING IN DESIGN AND DETAIL IS OUR PROPERTY AND MUST NOT BE USED EXCEPT IN CONNECTION WITH OUR WORK. ALL RIGHTS OF DESIGN AND INVENTION ARE RESERVED. THIS IS AN ELECTRONICALLY GENERATED DOCUMENT - DO NOT SCALE THIS PRINT				RFP	CAD FILE	52A105383AA	SIZE A	DRAWING NO. 52A105383AA	REV. 5
				DIST					