

PRODUCT INFORMATION PACKET



Model No: 5KC48UN6052
Catalog No: C1264
General Purpose Motor, 1/2 HP, 1 Ph, 60 Hz, 115/230 V, 56 Frame, DP



Regal and LEESON are trademarks of Regal Rexnord Corporation or one of its affiliated companies.
©2025 Regal Rexnord Corporation, All Rights Reserved. MC017097E





Nameplate Specifications

Phase	1	Output HP	1/2 Hp
Output KW	0.37 kW	Voltage	115/230 V
Speed	1140 rpm	Service Factor	1.25
Frame	56	Enclosure	Drip Proof
Thermal Protection	No Protection	Ambient Temperature	40 °C
Frequency	60 Hz	Current	9.4/4.7 A
Power Factor	0	Duty	Continuous
Insulation Class	B	KVA Code	K
Drive End Bearing Size	6203	Opp Drive End Bearing Size	6203
UL	Recognized	CSA	Y
CE	N		

Technical Specifications

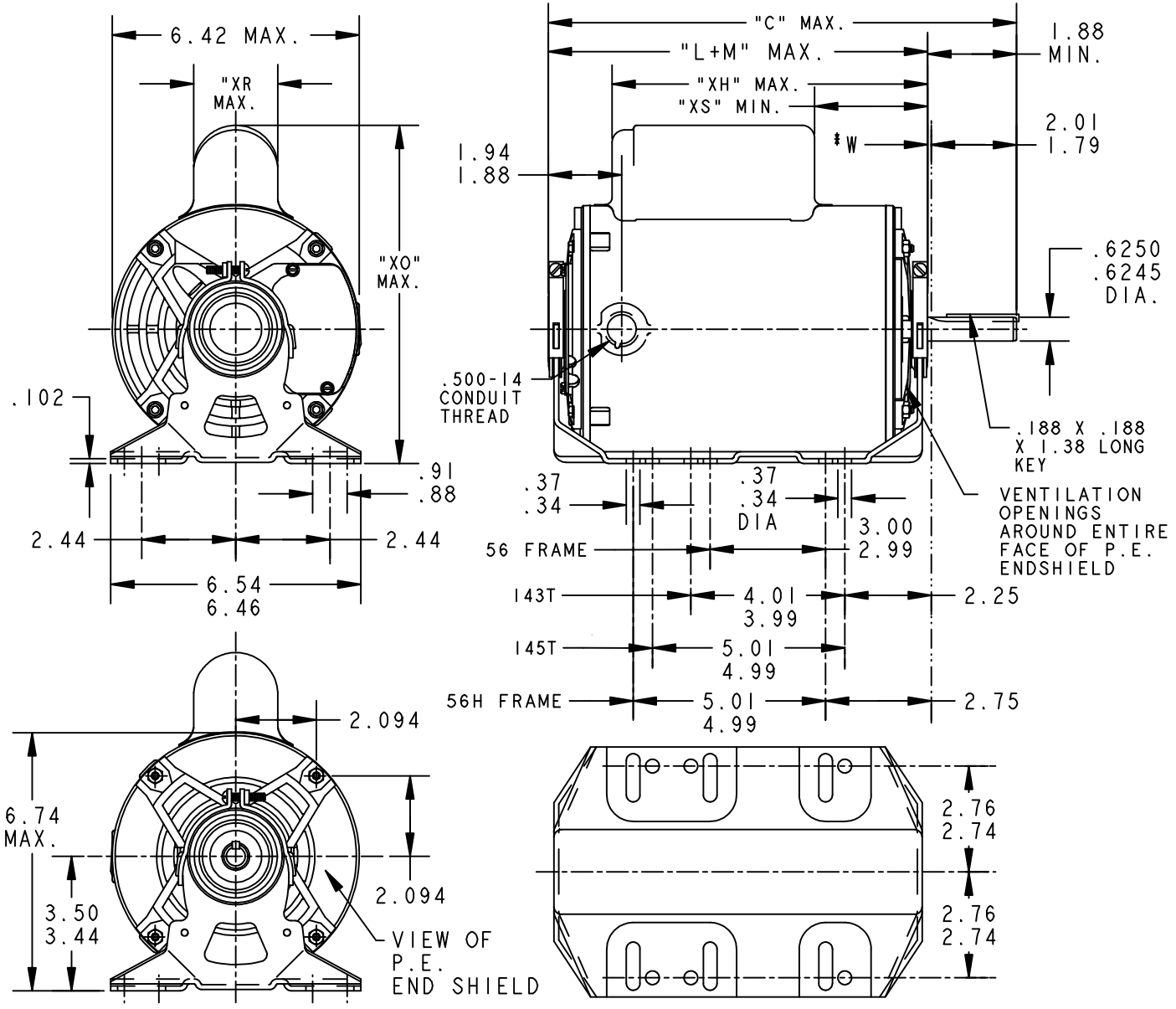
Electrical Type	Capacitor Start Induction Run	Starting Method	Across The Line
Poles	6	Rotation	Selective Counterclockwise
Motor Orientation	Any	Drive End Bearing	Ball
Opp Drive End Bearing	Ball	Frame Material	Rolled Steel
Shaft Type	NEMA 56	Shaft Diameter	0.625 in
Outline Drawing	52A111697P1	Connection Drawing	52A105381AA

This is an uncontrolled document once printed or downloaded and is subject to change without notice. Date Created:11/13/2025

SHEET —	THIRD ANGLE PROJECTION	REVISIONS			
		REV.	DESCRIPTION	DATE	APPROVED

REV
0
52A111697
SIZE DRAWING NO.
A

*W IS A VARIABLE CLEARANCE DUE TO VARIATIONS IN PARTS AND ASSEMBLY



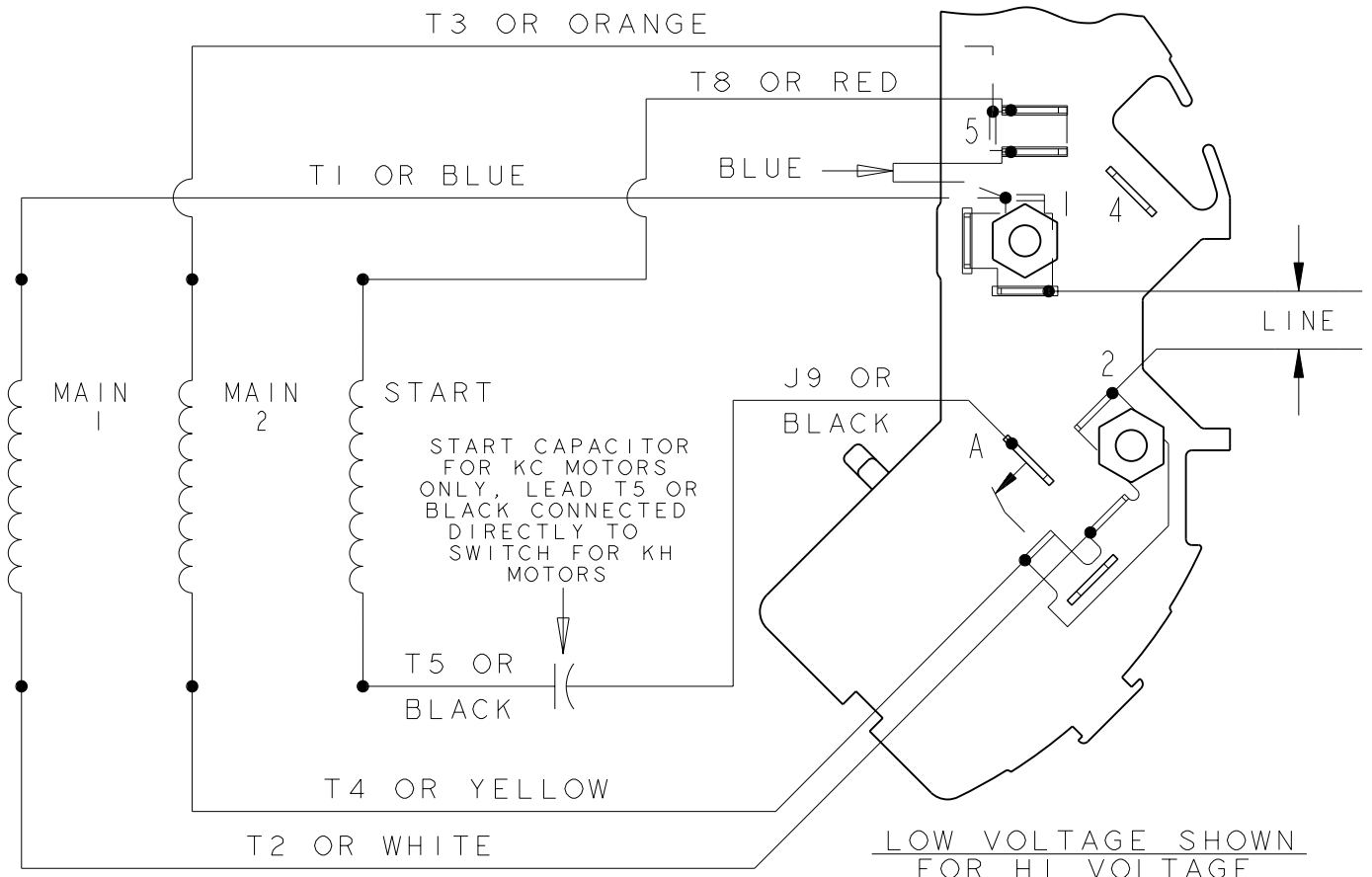
I	KC	48	56	12.76	10.76	7.98	8.94	2.40	0.77	8.43
P	TYPE	GE SIZE	NEMA FR	C	L+M	XH	XO	XR	XS	SHELL MIN.

FOR ADDITIONAL INFO REFER TO:	SIGNATURES	DATE		REGAL-BELOIT CORPORATION
APPLIED PRACTICES	MODEL	ARCHANA		
DIMENSIONS ARE IN INCHES	DETAIL	.	.	TITLE
TOLERANCE ON:	CHECKED	.	.	OUTLINE
1 PL DECIMALS ± 0.1	ENGRG	.	.	GENERAL PURPOSE MOTOR - DRIP PROOF - BALL BEARING
2 PL DECIMALS ± 0.02	MFG	.	.	RESILIENT BASE FMF - 40 FRAME REDESIGN (5KC49SN0151X)
3 PL DECIMALS ± 0.005	QUALITY	.	.	SIZE DRAWING
ANGLES ± 1.0	ISSUED	ARCHANA	06/29/06	52A111697
FRACTIONS ±	SOLID MODEL: 52A111697			REV 0
FINISH				SCALE: 0.250 REF. No: . SHEET 1 of 1



SHEET —	THIRD ANGLE PROJECTION	REVISIONS			
		REV.	DESCRIPTION	DATE	APPROVED
REV 2		2	UPDATED FORMAT	01/04/06	MAM

EITHER ROTATION - DUAL VOLTAGE
TYPE KC OR KH



- NOTE #1 - FOR HI VOLTAGE REMOVE BLUE FROM TERMINAL #5 AND PLACE ON TERMINAL #4, REMOVE WHITE (T2) FROM TERMINAL #2 AND PLACE ON TERMINAL #5.
- NOTE #2 - TO REVERSE ROTATION INTERCHANGE RED (T8) AND BLACK (J9-KC OR T5-KH) LEADS.
- NOTE #3 - WHEN MORE THAN ONE CAPACITOR IS USED CONNECT IN PARALLEL.

REF. DIAG. - 121A852	SWITCH (C) - 115D958AB
	CONNECTION LABEL - 52X332050

FOR ADDITIONAL INFO REFER TO: APPLIED PRACTICES DIMENSIONS ARE IN INCHES ✓ MATERIAL	SIGNATURES	DATE	<p>REGAL-BELOIT CORPORATION</p> <p>TITLE CONNECTION DIAGRAM</p> <p>FMF: 30 FRAME SWITCH REDESIGN</p> <p>SIZE DRAWING A</p> <p>SCALE: 1.000 REF. No: .</p>
	MODEL M.D. PAPE	06/29/87	
	DETAIL	.	
	CHECKED	.	
	ENGRG	.	
MFG	.		
QUALITY	.		
ISSUED	M.D.P.	06/29/87	
SOLID MODEL: 52A105381AA			