

PRODUCT INFORMATION PACKET



Model No: 5KC49NN2130X
Catalog No: C273
General Purpose Motor, 1 HP, 1 Ph, 60 Hz, 115/230 V, 56 Frame, TEFC



Regal and LEESON are trademarks of Regal Rexnord Corporation or one of its affiliated companies.
©2025 Regal Rexnord Corporation, All Rights Reserved. MC017097E





Nameplate Specifications

Phase	1	Output HP	1 Hp
Output KW	0.75 kW	Voltage	115/230 V
Speed	3450 rpm	Service Factor	1.15
Frame	56	Enclosure	Totally Enclosed Fan Cooled
Thermal Protection	Automatic	Ambient Temperature	40 °C
Frequency	60 Hz	Current	13.0/6.5 A
Power Factor	0	Duty	Continuous
Insulation Class	B	KVA Code	L
Drive End Bearing Size	6203	Opp Drive End Bearing Size	6203
UL	Recognized	CSA	Y
CE	N		

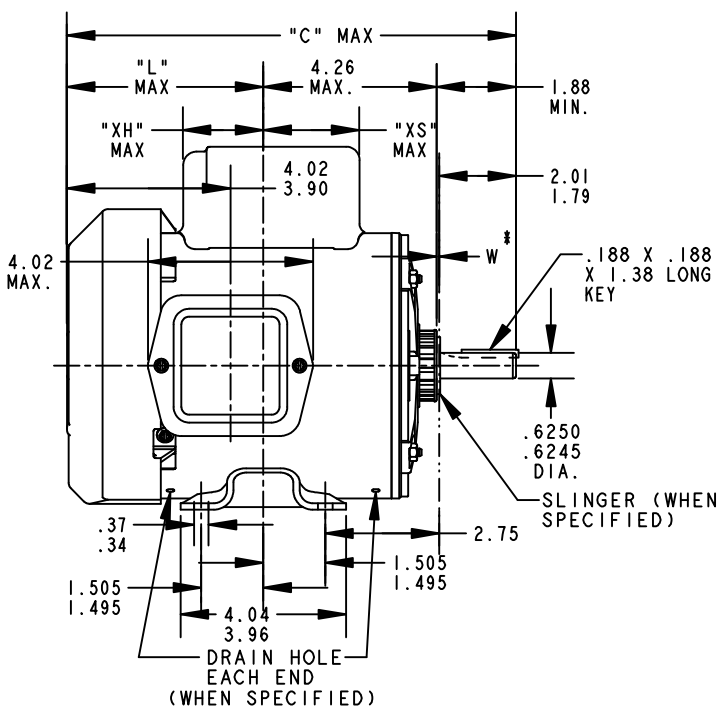
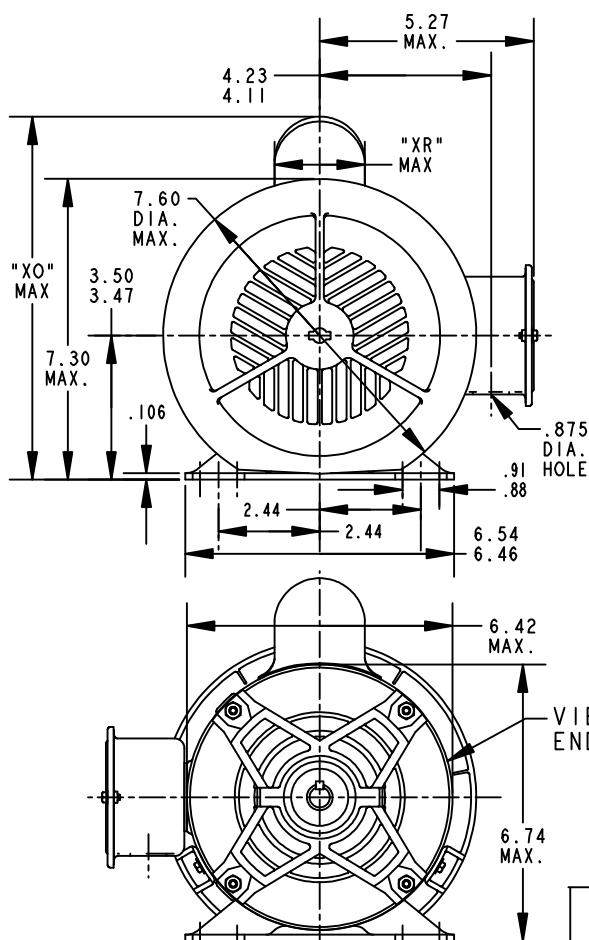
Technical Specifications

Electrical Type	Capacitor Start Induction Run	Starting Method	Across The Line
Poles	2	Rotation	Counterclockwise/Clockwise
Motor Orientation	Any	Drive End Bearing	Ball
Opp Drive End Bearing	Ball	Frame Material	Rolled Steel
Shaft Type	NEMA 56	Shaft Diameter	0.625 in
Connection Drawing	52A105383BA	Outline Drawing	52A107631P6

This is an uncontrolled document once printed or downloaded and is subject to change without notice. Date Created:11/13/2025

SHEET 1	THIRD ANGLE PROJECTION	REVISIONS			
		REV.	DESCRIPTION	DATE	APPROVED
REV 15		16	AADED PT# 9 PER DS10-0516	05/07/10	PRAVEEN.K

SIZE DRAWING NO.
A




*W IS A VARIABLE CLEARANCE DUE TO VARIATIONS IN PARTS AND ASSEMBLY

ALL DIMENSIONS ARE IN INCHES

9	KC	49	56	12.96	6.81	3.58	8.24	1.60	2.17		7.68
8	KC	48	56	13.71	6.05	4.33	8.26	2.40	2.92		8.43
7	KC	49	56	11.43	5.28	2.00	8.26	1.60	2.48		6.15
6	KC	49	56	12.43	6.28	3.51	8.22	1.60	2.24		7.15
5	KC	49	56	12.43	6.28	3.51	8.94	2.40	2.24		7.15
4	KC	49	56	12.96	6.81	3.58	8.94	2.40	2.17		7.68
3	KC	46	56	11.83	5.68	2.91	8.94	2.40	2.84		6.55
2	KC	46	56	11.83	5.68	2.91	8.84	2.22	1.63		6.55
1	KC	42	56	11.00	4.85	2.08	8.84	2.22	2.46		5.72
P	TYPE	GE SIZE	NEMA FR.	"C"	"L"	"XH"	"XO"	"XR"	"XS"		MIN. SHELL

FOR ADDITIONAL INFO REFER TO: APPLIED PRACTICES DIMENSIONS ARE IN INCHES	SIGNATURES	DATE
	MODEL M.D.PAPE	10/23/90
	DETAIL	.
	CHECKED	.
	ENGRG	.
	MFG	.
	QUALITY	.
	ISSUED M.D.PAPE	04/27/94
MATERIAL	SOLID MODEL: 52A107631	



REGAL-BELOIT CORPORATION

TITLE

OUTLINE

GENERAL PURPOSE MOTOR TEFC - BALL BEARING - WELDED BASE FMF - 40 FRAME REDESIGN

SIZE DRAWING

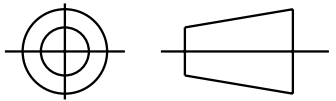
52A107631 REV **15**

SCALE: 0.250 REF. No: . SHEET 1 of 1



SHEET 1
REV 7
52A105383BA
SIZE DRAWING NO.

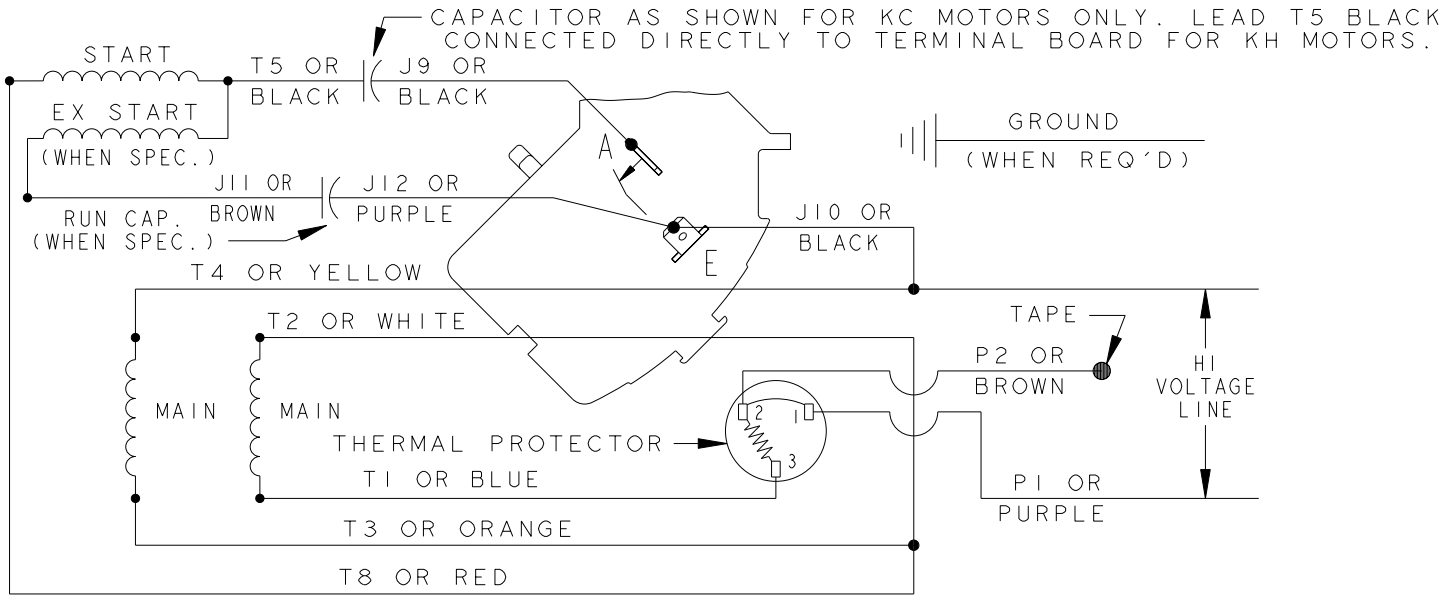
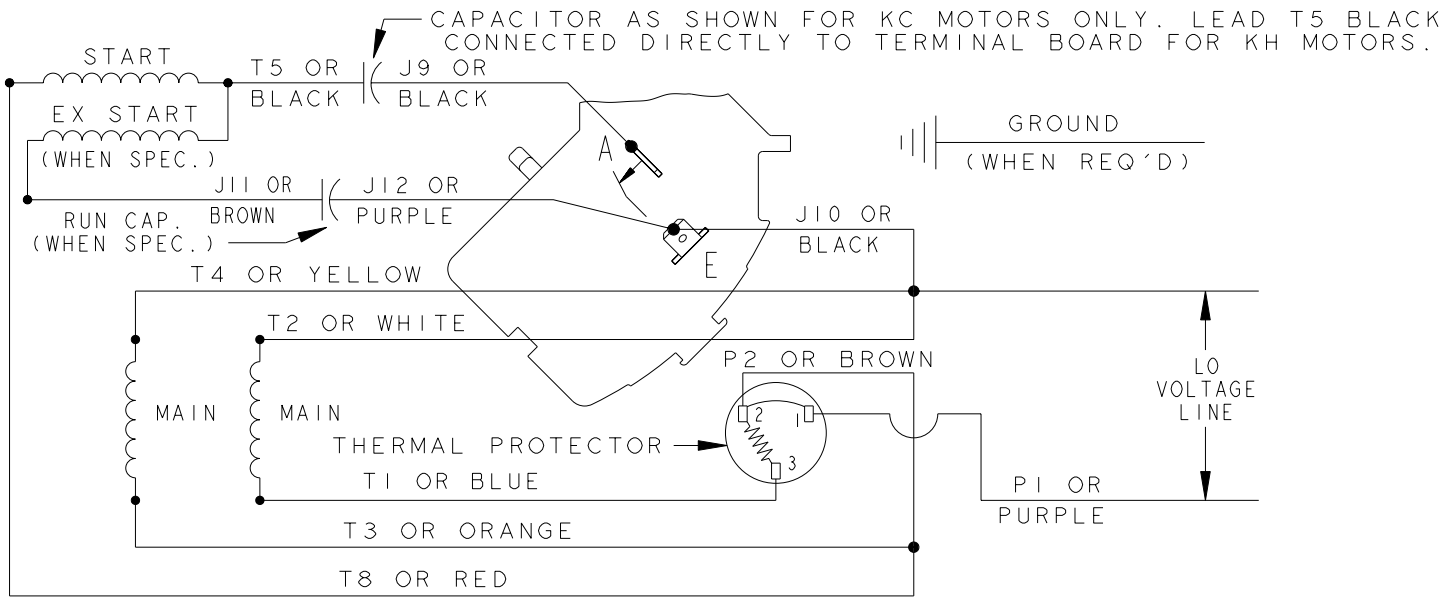
THIRD ANGLE PROJECTION



REVISIONS

REV.	DESCRIPTION	DATE	APPROVED
7	UPDATED FORMAT	01/05/06	MAM

CCW/CW ROTATION - DUAL VOLTAGE
TYPE KC , KH OR KCR - WITH THERMAL PROTECTOR



NOTE#1 - TO REVERSE ROTATION, INTERCHANGE T8 RED AND J10 BLACK LEADS.
NOTE#2 - WHEN MORE THAN ONE CAPACITOR IS USED, CONNECT IN PARALLEL.
NOTE#3 - 115D958ABP5 - HIGH CURRENT CONTACTS.

SWITCH (C) - 115D958ABP5, SWITCH (H) - 115D958AA (USE 115D958DA FOR EP)

REF. DIAG. - 113A327, 119A9352 & 52A102102 CONNECTION LABEL - 52X332912

FOR ADDITIONAL INFO REFER TO: APPLIED PRACTICES DIMENSIONS ARE IN INCHES ✓ MATERIAL	SIGNATURES	DATE	<p>REGAL-BELOIT CORPORATION</p> <p>CONNECTION DIAGRAM</p> <p>FMF: 30 FRAME SWITCH REDESIGN</p>	<p>SIZE DRAWING</p> <p>52A105383BA</p> <p>SCALE: 1.000 REF. No: .</p>	<p>REV</p> <p>7</p> <p>SHEET 1 of 1</p>	
	MODEL	M.D.P.				06/29/87
	DETAIL	.				.
	CHECKED	.				.
	ENGRG	.				.
ISSUED	M.D.P.	12/11/97	<p>4 of 4</p>			