

# PRODUCT INFORMATION PACKET



Model No: 5KCP33GNA471S

Catalog No: P239

General Purpose Farm Duty Motor, 1/3 HP, 1 Ph, 60 Hz, 115/230 V, 48Z Frame, TENV



Regal and LEESON are trademarks of Regal Rexnord Corporation or one of its affiliated companies.  
©2025 Regal Rexnord Corporation, All Rights Reserved. MC017097E





**Nameplate Specifications**

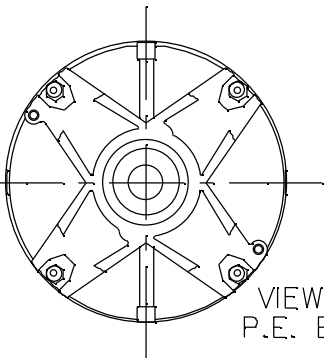
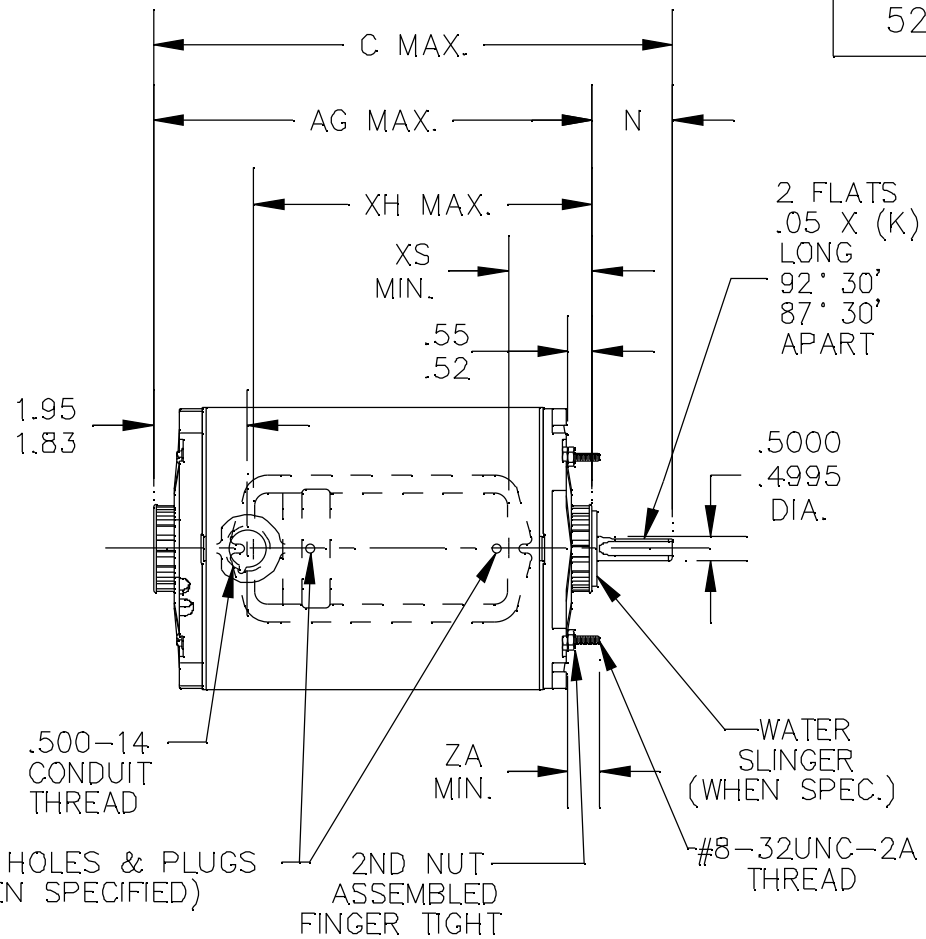
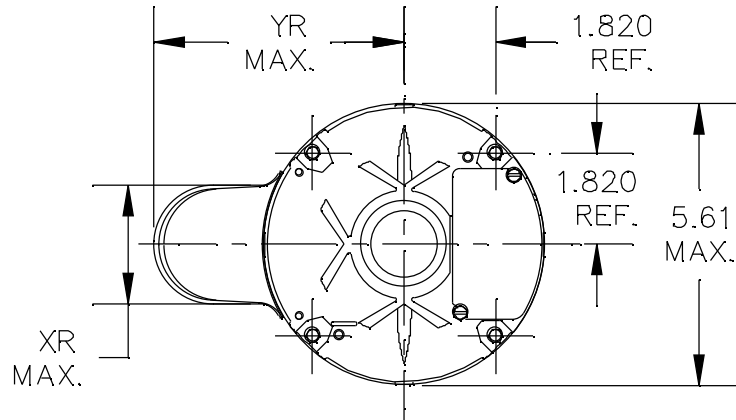
Phase	<b>1</b>	Output HP	<b>1/3 Hp</b>
Output KW	<b>0.25 kW</b>	Voltage	<b>115/230 V</b>
Speed	<b>1725 rpm</b>	Service Factor	<b>1.0</b>
Frame	<b>48Z</b>	Enclosure	<b>Totally Enclosed Non Ventilated</b>
Thermal Protection	<b>Automatic</b>	Ambient Temperature	<b>40 °C</b>
Frequency	<b>60 Hz</b>	Current	<b>4.0/2.0 A</b>
Power Factor	<b>0</b>	Duty	<b>Continuous</b>
Insulation Class	<b>B</b>	KVA Code	<b>F</b>
Drive End Bearing Size	<b>6203</b>	Opp Drive End Bearing Size	<b>6203</b>
UL	<b>Recognized</b>	CSA	<b>Y</b>
CE	<b>N</b>		

**Technical Specifications**

Electrical Type	<b>Permanent Split Capacitor</b>	Starting Method	<b>Across The Line</b>
Poles	<b>4</b>	Rotation	<b>Counterclockwise</b>
Motor Orientation	<b>Any</b>	Drive End Bearing	<b>Ball</b>
Opp Drive End Bearing	<b>Ball</b>	Frame Material	<b>Rolled Steel</b>
Shaft Type	<b>Special Extension</b>	Shaft Diameter	<b>0.500 in</b>
Connection Drawing	<b>52A105384CM</b>	Outline Drawing	<b>52A109371P1</b>

This is an uncontrolled document once printed or downloaded and is subject to change without notice. Date Created:11/13/2025

52A109371



VIEW SHOWING P.E. END SHIELD

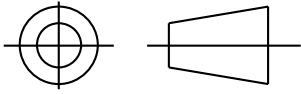
1	KCP	33	48Z	10.18	7.56	2.16	2.63 2.50	5.03	6.58	0.96	2.40	.75
P	TYPE	RBC SIZE	NEMA FR	C	AG	K	N	YR	XH	XS	XR	ZA

				TOLERANCES UNLESS SPECIFIED		<b>REGAL-BELOIT CORPORATION</b>		DRAWN M.D.P 04/13/94			
				DEC.	INCHES			CHK			
				.X	±0.1	TITLE OUTLINE TENV		APPD M.D.P 04/13/94			
3	REDRAWN IN DRAFT SIGHT NO CHANGES	PVR 10/16/12	PKG	.XX	±0.02			SCALE 1=1			
2	CHG TO RBC FORMAT PER IS05-1777	SUD 03/13/06		.XXX	±0.005			REF			
1	UPDATED CAP CVR.TI96-22479.	M.D.P 04/10/96		.XXXX	±0.0005	MAT'L.		FMF			
NO.	REVISION	BY & DATE	CHK	ANG	±1.0	FINISH	PREV				
THIS DRAWING IN DESIGN AND DETAIL IS OUR PROPERTY AND MUST NOT BE USED EXCEPT IN CONNECTION WITH OUR WORK ALL RIGHTS OF DESIGN AND INVENTION ARE RESERVED THIS IS AN ELECTRONICALLY GENERATED DOCUMENT - DO NOT SCALE THIS PRINT				RFP	CAD FILE 52A109371			SIZE	DRAWING NO.		REV.
				DIST				A	52A109371		3

SHEET 1  
REV  
52A105384CM  
SIZE DRAWING NO. A



THIRD ANGLE PROJECTION

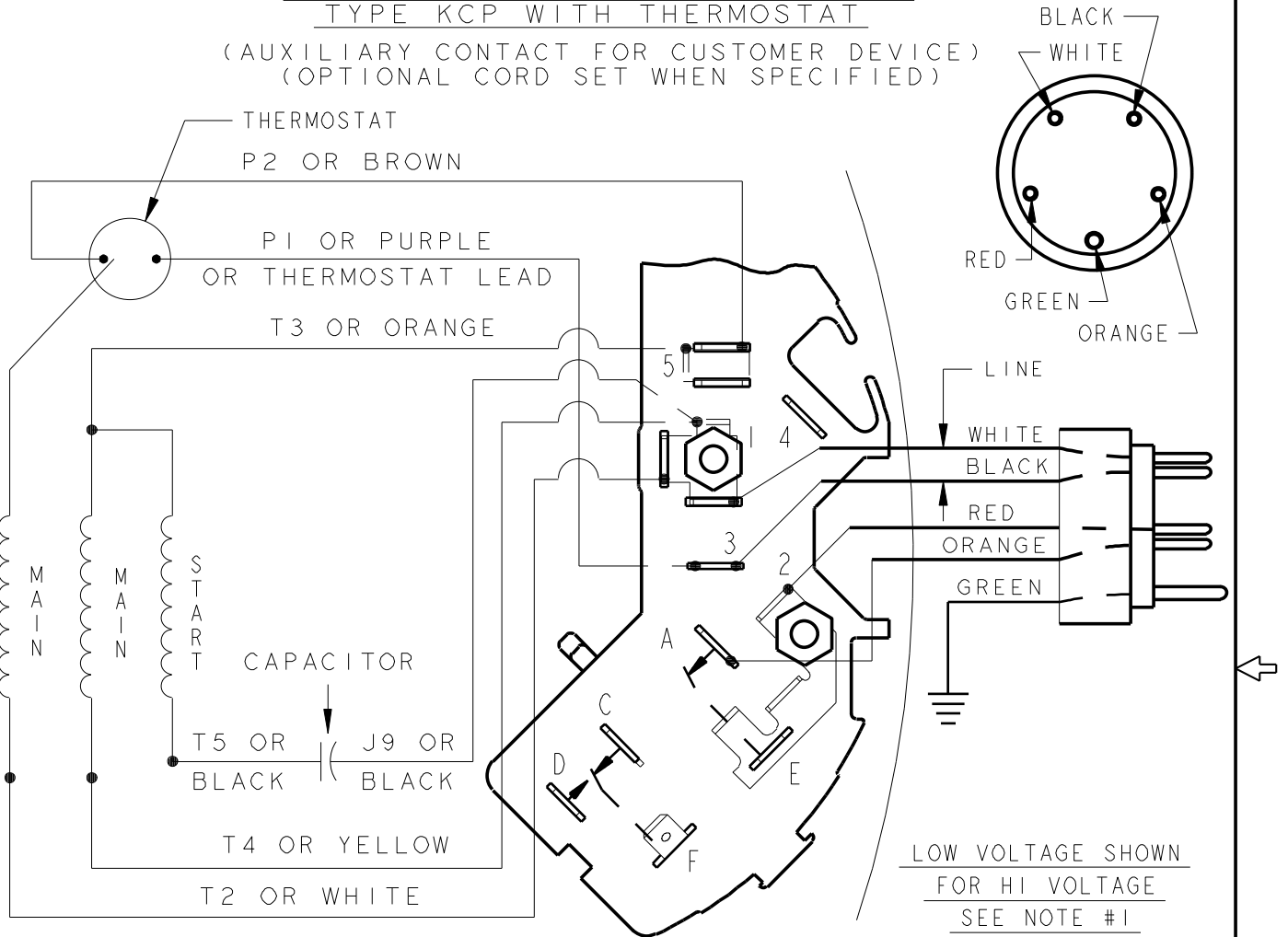


REVISIONS

REV.	DESCRIPTION	DATE	APPROVED
1	UPDATED FORMAT	12/16/05	MAM

SET ROTATION - DUAL VOLTAGE  
TYPE KCP WITH THERMOSTAT

(AUXILIARY CONTACT FOR CUSTOMER DEVICE)  
(OPTIONAL CORD SET WHEN SPECIFIED)



NOTE #1 - FOR HI VOLTAGE REMOVE BROWN (P2) FROM TERMINAL #5 AND PLACE ON TERMINAL #4, REMOVE WHITE (T2) FROM TERMINAL #1 AND PLACE ON TERMINAL #5.

NOTE #2 - WHEN MORE THAN ONE CAPACITOR IS USED CONNECT IN PARALLEL.

SWITCH - 115D958CC
REF. DIAG. - NONE
CONNECTION LABEL - 52X333090

SIGNATURES		DATE
MODEL	M. D. PAPE	02/25/94
DETAIL	.	.
CHECKED	.	.
ENGRG	.	.
MFG	.	.
QUALITY	.	.
ISSUED	M. D. P.	02/25/94
MATERIAL	SOLID MODEL: 52A105384CM	



REGAL-BELOIT CORPORATION

TITLE **CONNECTION DIAGRAM**

FMF: **5KCP35GNA47IS**

SIZE DRAWING **52A105384CM** REV **1**

SCALE: 1.000 REF. No. SHEET 1 of 1

