

PRODUCT INFORMATION PACKET



Model No: 5KCP49UN9837S

Catalog No: F780

General Purpose Farm Duty Motor, 1/2 HP, 1 Ph, 60 Hz, 208-230 V, 56Y Frame, TENV



Regal and LEESON are trademarks of Regal Rexnord Corporation or one of its affiliated companies.
©2025 Regal Rexnord Corporation, All Rights Reserved. MC017097E





Nameplate Specifications

Phase	1	Output HP	1/2 Hp
Output KW	0.37 kW	Voltage	208-230 V
Speed	850 rpm	Service Factor	1.0
Frame	56Y	Enclosure	Totally Enclosed Non Ventilated
Thermal Protection	Automatic	Ambient Temperature	40 °C
Frequency	60 Hz	Current	3.7-3.6 A
Power Factor	0	Duty	Continuous
Insulation Class	B	KVA Code	C
Drive End Bearing Size	6203	Opp Drive End Bearing Size	6203
UL	Recognized	CSA	Y
CE	N		

Technical Specifications

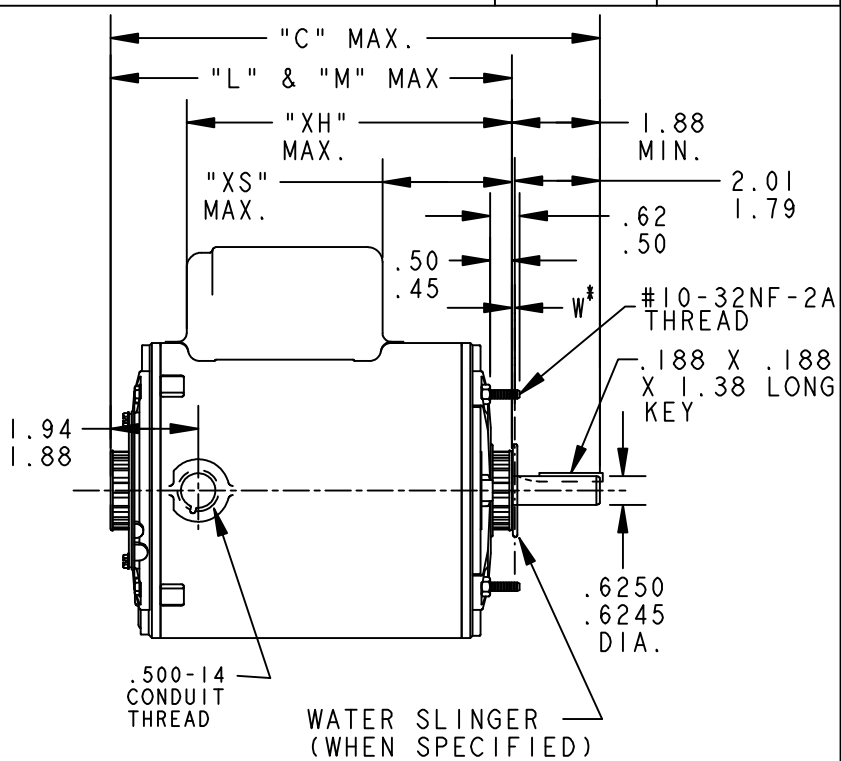
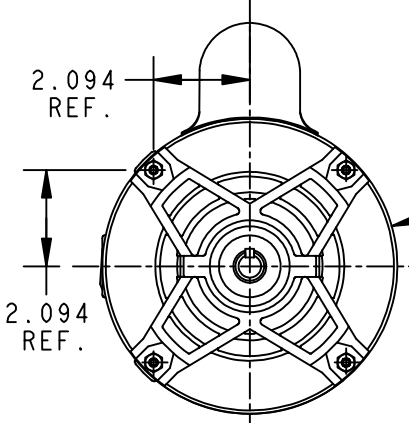
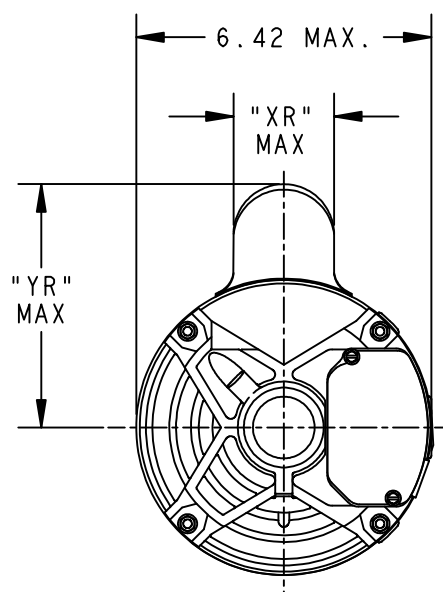
Electrical Type	Permanent Split Capacitor	Starting Method	Across The Line
Poles	8	Rotation	Counterclockwise
Motor Orientation	Any	Drive End Bearing	Ball
Opp Drive End Bearing	Ball	Frame Material	Rolled Steel
Shaft Type	Special Extension	Shaft Diameter	0.625 in
Outline Drawing	52A107893P1	Connection Drawing	113A377

This is an uncontrolled document once printed or downloaded and is subject to change without notice. Date Created:11/13/2025

SHEET 1	THIRD ANGLE PROJECTION	REVISIONS			
		REV.	DESCRIPTION	DATE	APPROVED
REV 2		2	CLAMP SCREW EXT. CHANGED PER IS10-4432.	11/08/10	KARTHIK

SIZE DRAWING NO.
A

52A107893



*W IS A VARIABLE CLEARANCE DUE TO VARIATIONS IN PARTS AND ASSEMBLY

VIEW OF P.E. END SHIELD

ALL DIMENSIONS ARE IN INCHES

I	KCP	49	56	11.91	10.01	8.27	4.68	2.15	2.57	7.68
P	TYPE	GE SIZE	NEMA FR.	"C"	L&M	"XH"	"YR"	"XR"	"XS"	MIN. SHELL

SIGNATURES		DATE		REGAL-BELOIT CORPORATION	
MODEL	M.M.E.	02/24/94		TITLE	
DETAIL	.	.	OUTLINE		
CHECKED	.	.	GENERAL PURPOSE MOTOR TENV - BALL BEARING		
ENGRG	.	.	EXTENDED CLAMP SCREWS FMF - 40 FRAME REDESIGN 5KCP49UN98065		
MFG	.	.	SIZE DRAWING		
FOR ADDITIONAL INFO REFER TO:	QUALITY	.	52A107893		
APPLIED PRACTICES	ISSUED	M.M.E.	2		REV
DIMENSIONS ARE IN INCHES	SOLID MODEL: 52A107893	02/24/94	A		2
MATERIAL			SCALE: 0.250	REF. No: .	SHEET 1 of 1



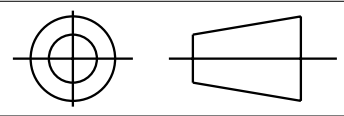
RBC PROPRIETARY AND CONFIDENTIAL INFORMATION

This document is the property of REGAL BELOIT CORPORATION ("RBC") including its subsidiaries and divisions and contains proprietary information of RBC. This document is loaned on the express condition that neither it nor the information contained therein shall be disclosed to others without the express written consent of RBC, and that the information shall be used by the recipient only as approved expressly by RBC. This document shall be returned to RBC upon its request. This document may be subject to certain restrictions under U.S. export control laws and regulations.

REVISIONS

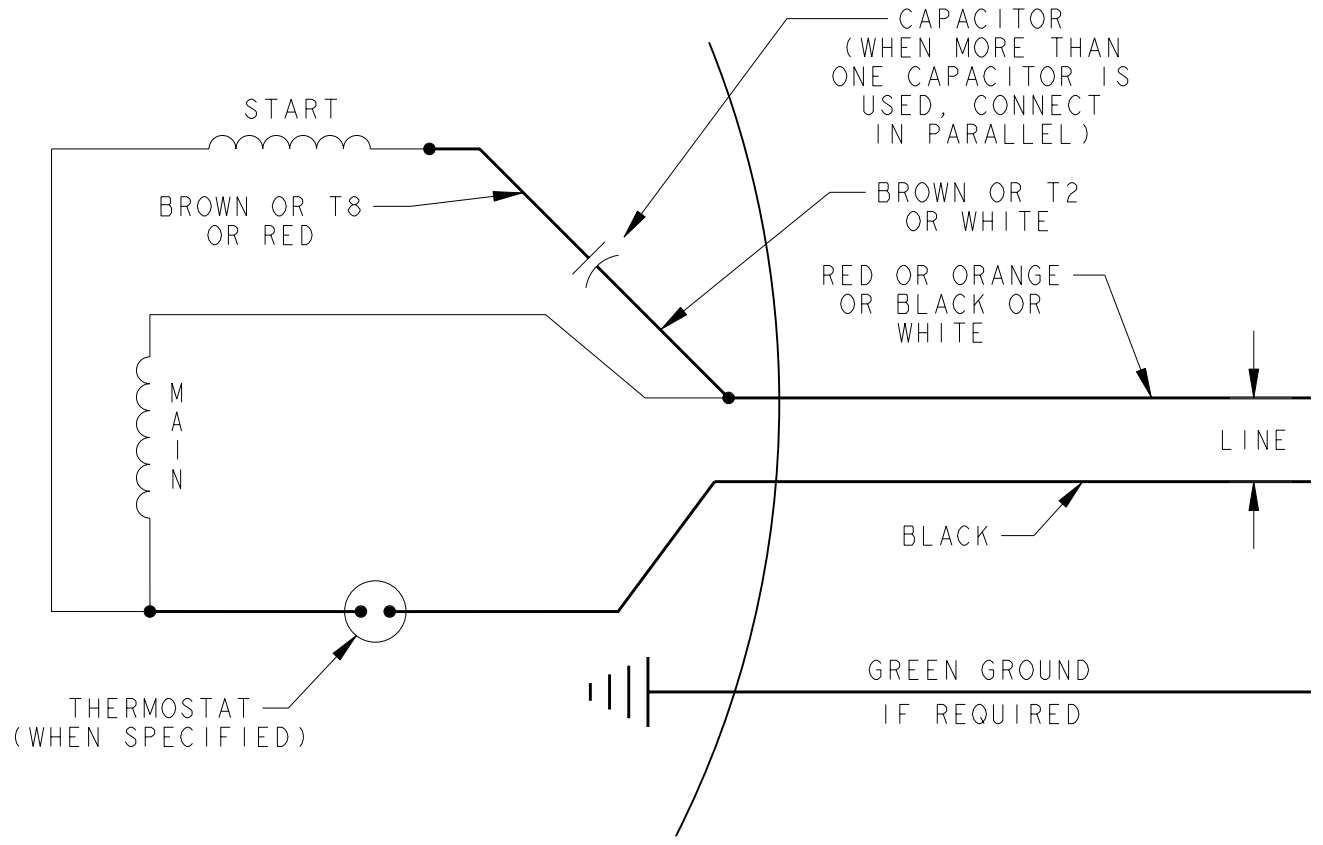
REV.	DESCRIPTION	DATE	APPROVED
11	RETRACED ON CAD, NO CHGS.	11/20/98	M.D.PAPE
12	CHG TO RBC FORMAT PER ISO5-1777	06/13/06	SUDHA

THIRD ANGLE PROJECTION



SHEET 12
REV 113A377

SET ROTATION - SINGLE VOLTAGE - TYPE KCP



FOR ADDITIONAL INFO REFER TO:	SIGNATURES	DATE
APPLIED PRACTICES	MODEL D.E. MORRIS	02/21/55
DIMENSIONS ARE IN INCHES	DETAIL	.
TOLERANCE ON:	CHECKED	.
1 PL DECIMALS ± 0.1	ENGRG	.
2 PL DECIMALS ± 0.02	MFG	.
3 PL DECIMALS ± 0.005	QUALITY	.
ANGLES ± 1.0	ISSUED	M.D. PAPE 11/20/98
FRACTIONS ±		
FINISH ✓		
MATERIAL	SOLID MODEL: 113A377	

REGAL-BELOIT CORPORATION	
TITLE CONNECTION DIAGRAM	
SIZE A	DRAWING
SCALE: 1.000	REF. No: .

		REGAL-BELOIT CORPORATION	
TITLE CONNECTION DIAGRAM			
SIZE A	DRAWING	113A377	REV 12
SCALE: 1.000		REF. No: .	SHEET 1 of 1

