

PRODUCT INFORMATION PACKET



Model No: 5KCP49UN9838S

Catalog No: F781

General Purpose Farm Duty Motor, 1/2 HP, 1 Ph, 60 Hz, 208-230 V, 56Y Frame, TENV



Regal and LEESON are trademarks of Regal Rexnord Corporation or one of its affiliated companies.
©2025 Regal Rexnord Corporation, All Rights Reserved. MC017097E





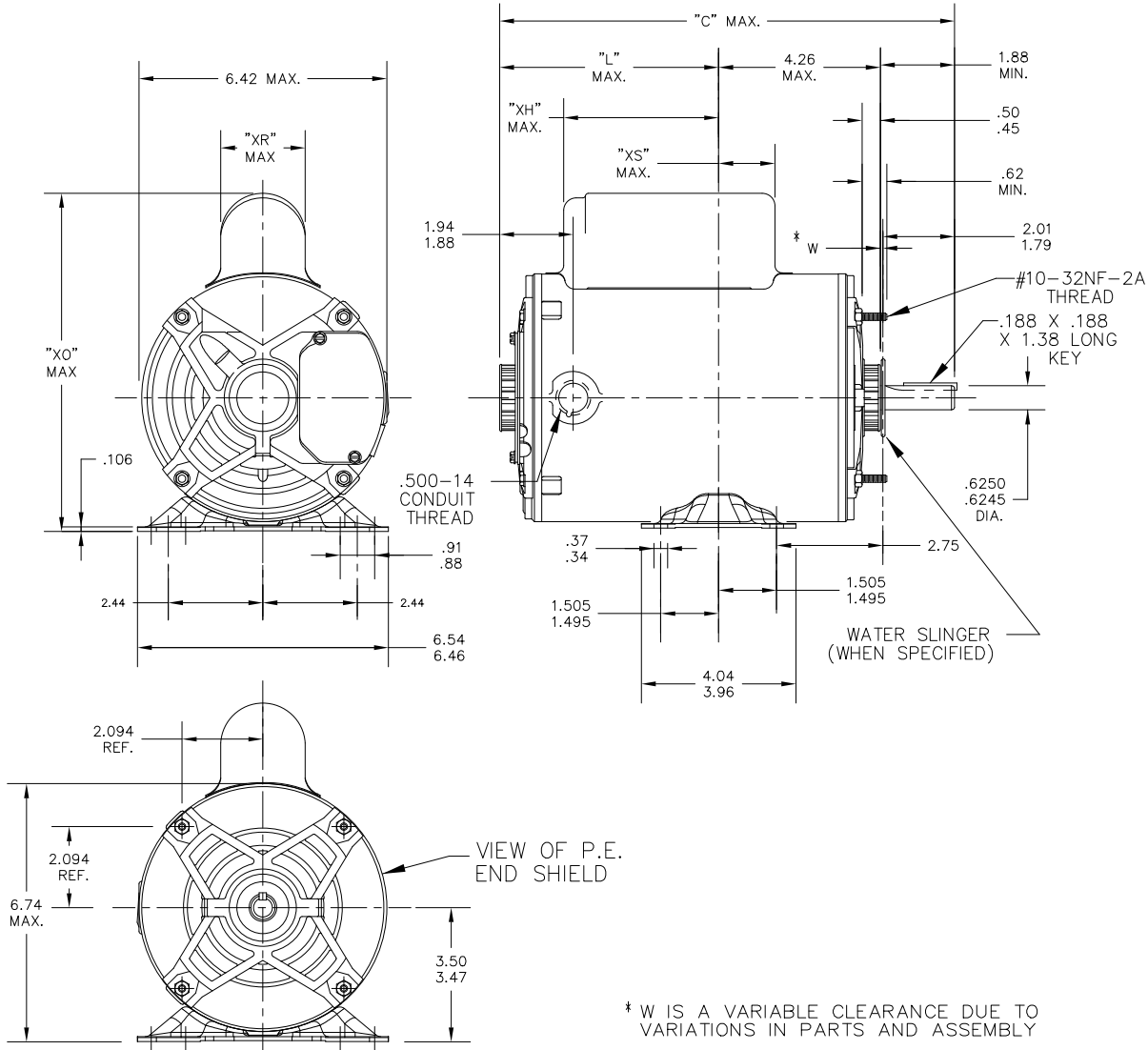
Nameplate Specifications

Phase	1	Output HP	1/2 Hp
Output KW	0.37 kW	Voltage	208-230 V
Speed	850 rpm	Service Factor	1.0
Frame	56Y	Enclosure	Totally Enclosed Non Ventilated
Thermal Protection	Automatic	Ambient Temperature	40 °C
Frequency	60 Hz	Current	3.7-3.6 A
Power Factor	0	Duty	Continuous
Insulation Class	B	KVA Code	C
Drive End Bearing Size	6203	Opp Drive End Bearing Size	6203
UL	Recognized	CSA	Y
CE	N		

Technical Specifications

Electrical Type	Permanent Split Capacitor	Starting Method	Across The Line
Poles	8	Rotation	Counterclockwise
Motor Orientation	Any	Drive End Bearing	Ball
Opp Drive End Bearing	Ball	Frame Material	Rolled Steel
Shaft Type	Special Extension	Shaft Diameter	0.625 in
Connection Drawing	113A377	Outline Drawing	52A110642P1

This is an uncontrolled document once printed or downloaded and is subject to change without notice. Date Created:11/13/2025



* W IS A VARIABLE CLEARANCE DUE TO VARIATIONS IN PARTS AND ASSEMBLY

ALL DIMENSIONS ARE IN INCHES

I	KCP	49	56	11.91	5.75	4.15	8.18	2.15	1.60		7.68
P	TYPE	RBC SIZE	NEMA FR.	"C"	"L"	"XH"	"XO"	"XR"	"XS"		MIN. SHELL

TOLERANCES UNLESS SPECIFIED

DEC.	INCHES
.X	±0.1
.XX	±0.02
.XXX	±0.005
.XXXX	±0.0005
ANG	±1.0



Regal Beloit America, Inc.

DRAWN M.D.PAPE04/06/01

CHK

APPD DS 09/4/2014

SCALE 1=1

REF

FMF

PREV

C	BASE CHANGED AS PER ECR-0224925	MP 06/14/23
B	REPLACED GE WITH RBC PER ECO-0059212	JAH 09/4/2014
A	CHG TO RBC FORMAT PER IS05-1777	SUD 04/24/06
NO.	REVISION	BY & DATE

TITLE	OUTLINE
	GENERAL PURPOSE MOTOR TENV - BALL
MAT'L.	
FINISH	

THIS DRAWING IN DESIGN AND DETAIL IS OUR PROPERTY AND MUST NOT BE USED EXCEPT IN CONNECTION WITH OUR WORK ALL RIGHTS OF DESIGN AND INVENTION ARE RESERVED THIS IS AN ELECTRONICALLY GENERATED DOCUMENT - DO NOT SCALE THIS PRINT

RFP	CAD FILE	52A110642
DIST		

SIZE	DRAWING NO.
A	52A110642

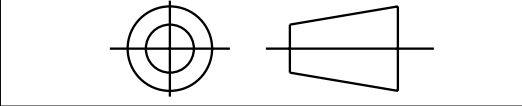
REV.	B
------	---



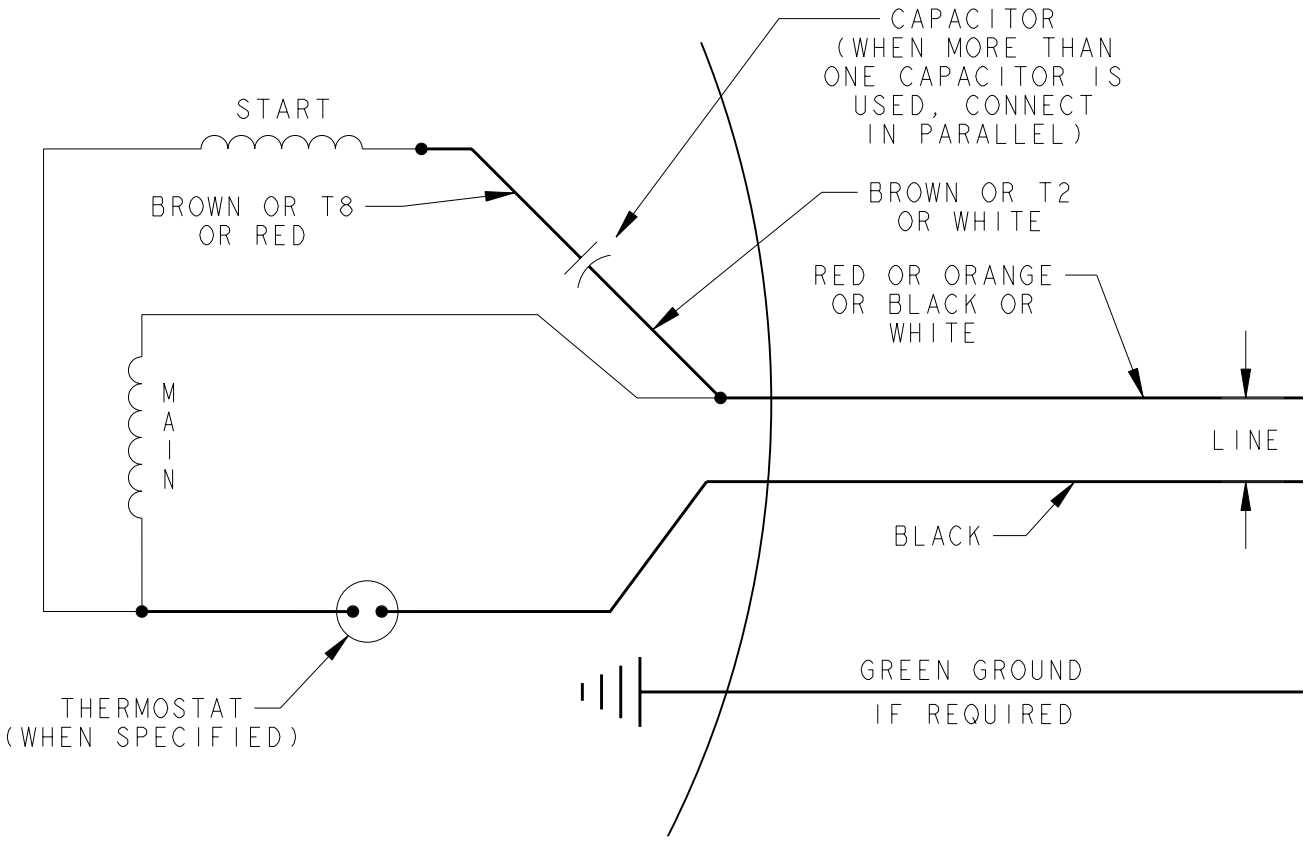
SHEET
REV
113A377 12

RBC PROPRIETARY AND CONFIDENTIAL INFORMATION
 This document is the property of REGAL BELOIT CORPORATION ("RBC") including its subsidiaries and divisions and contains proprietary information of RBC. This document is loaned on the express condition that neither it nor the information contained therein shall be disclosed to others without the express written consent of RBC, and that the information shall be used by the recipient only as approved expressly by RBC. This document shall be returned to RBC upon its request. This document may be subject to certain restrictions under U.S. export control laws and regulations.

REVISIONS			
REV.	DESCRIPTION	DATE	APPROVED
11	RETRACED ON CAD, NO CHGS.	11/20/98	M.D.PAPE
12	CHG TO RBC FORMAT PER ISO5-1777	06/13/06	SUDHA



SET ROTATION - SINGLE VOLTAGE - TYPE KCP



FOR ADDITIONAL INFO REFER TO:	SIGNATURES	DATE
APPLIED PRACTICES	MODEL D.E. MORRIS	02/21/55
DIMENSIONS ARE IN INCHES	DETAIL	.
TOLERANCE ON:	CHECKED	.
1 PL DECIMALS ± 0.1	ENGRG	.
2 PL DECIMALS ± 0.02	MFG	.
3 PL DECIMALS ± 0.005	QUALITY	.
ANGLES ± 1.0	ISSUED	M.D. PAPE 11/20/98
FRACTIONS ±		
FINISH ✓	SOLID MODEL: 113A377	

REGAL-BELOIT CORPORATION

CONNECTION DIAGRAM

SIZE	DRAWING	REV
A		12
SCALE: 1.000	REF. No: .	SHEET 1 of 1

