

PRODUCT INFORMATION PACKET



Model No: 5KCR48WN0292

Catalog No: C297

General Purpose Motor, 1.5 HP, 1 Ph, 60 Hz, 115/208-230 V, 145T Frame, TEFC



Regal and LEESON are trademarks of Regal Rexnord Corporation or one of its affiliated companies.
©2025 Regal Rexnord Corporation, All Rights Reserved. MC017097E





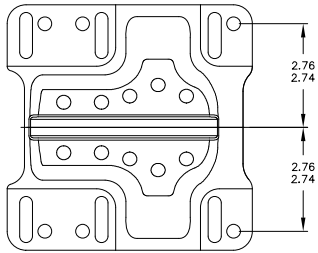
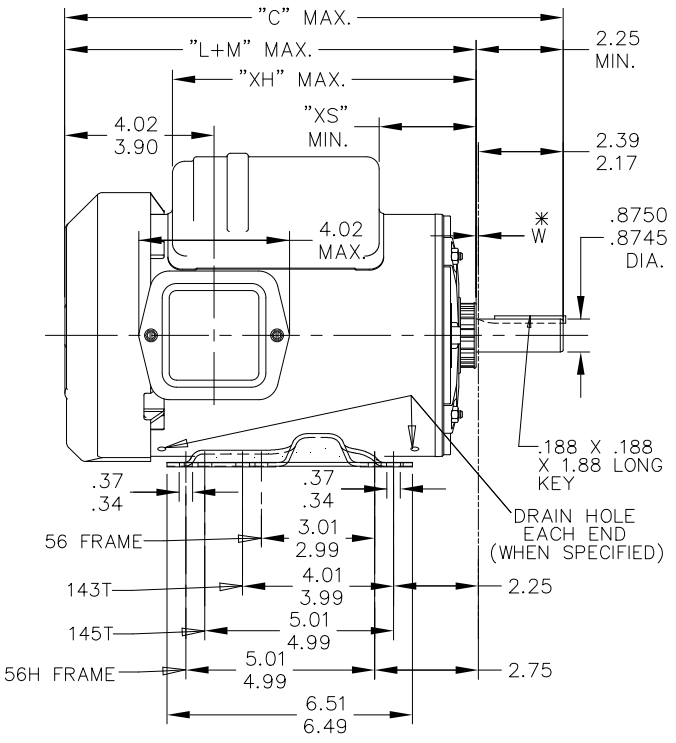
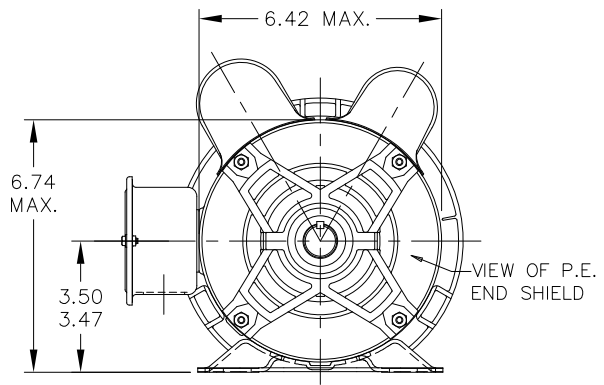
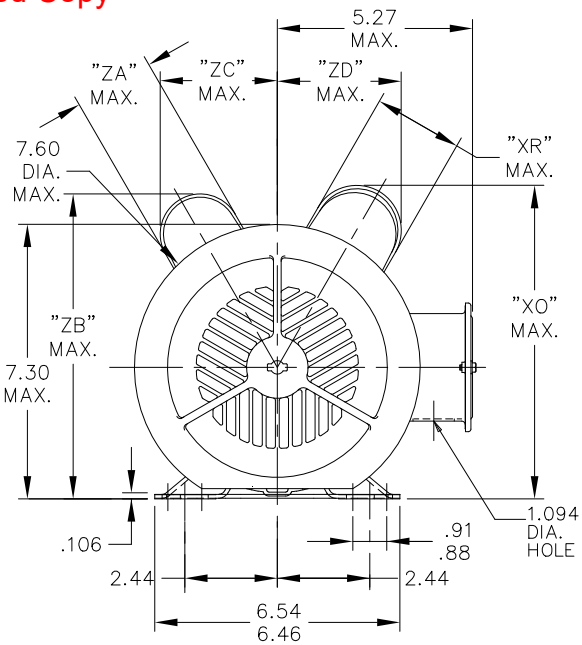
Nameplate Specifications

Phase	1	Output HP	1.5 Hp
Output KW	1.1 kW	Voltage	115/208-230 V
Speed	1725 rpm	Service Factor	1.15
Frame	145T	Enclosure	Totally Enclosed Fan Cooled
Thermal Protection	No Protection	Ambient Temperature	40 °C
Frequency	60 Hz	Current	14.5/7.1-7.3 A
Power Factor	0	Duty	Continuous
Insulation Class	B	KVA Code	K
Drive End Bearing Size	6205	Opp Drive End Bearing Size	6203
UL	Recognized	CSA	Y
CE	N		

Technical Specifications

Electrical Type	Capacitor Start Capacitor Run	Starting Method	Across The Line
Poles	4	Rotation	Counterclockwise/Clockwise
Motor Orientation	Any	Drive End Bearing	Ball
Opp Drive End Bearing	Ball	Frame Material	Rolled Steel
Shaft Type	NEMA 145T	Shaft Diameter	0.875 in
Outline Drawing	52A107655P2	Connection Drawing	52A105381BG

This is an uncontrolled document once printed or downloaded and is subject to change without notice. Date Created:11/13/2025



ALL DIMENSIONS ARE IN INCHES

* W IS A VARIABLE CLEARANCE DUE TO VARIATIONS IN PARTS AND ASSEMBLY

3	KCR	49	143T 145T	14.63	12.38	7.77	8.19	2.72	2.02	2.40	8.40	3.20	3.38	8.99
2	KCR	48	143T 145T	14.07	11.82	7.72	8.77	2.72	2.03	2.10	8.15	3.14	3.63	8.43
1	KCR	49	143T 145T	13.33	11.07	8.22	8.40	2.40	2.47	2.15	8.18	3.20	3.38	7.68
P	TYPE	GE	NEMA	"C"	"L+M"	"XH"	"XO"	"XR"	"XS"	"ZA"	"ZB"	"ZC"	"ZD"	MIN. SHELL

				TOLERANCES UNLESS SPECIFIED		Regal Beloit America, Inc.						DRAWNM.D.PAPE 02/28/99			
				DEC.								CHK			
				.X ±.1								APPD M.A.M 08/17/94			
11	BASE CHANGED AS PER ECR-0224925	PS 06/05/23	SN .XX	±.03	TITLE OUTLINE						SCALE 1=1				
10	ADDED DRAIN HOLES PER ECO-0136529	SN 12/20/17	SN .XXX	±.005	GENERAL PURPOSE MTR-TEFC-BALL BEARING-WELDED BASE						REF				
9	CHG TO RBC FORMAT PER ISO5-1777	AB 03/01/06	AB .XXXX	±.0005	MAT'L.						FMF 40 FR DESIGN				
NO.	REVISION	BY & DATE	CHK ANG	±7'30"	FINISH						PREV				

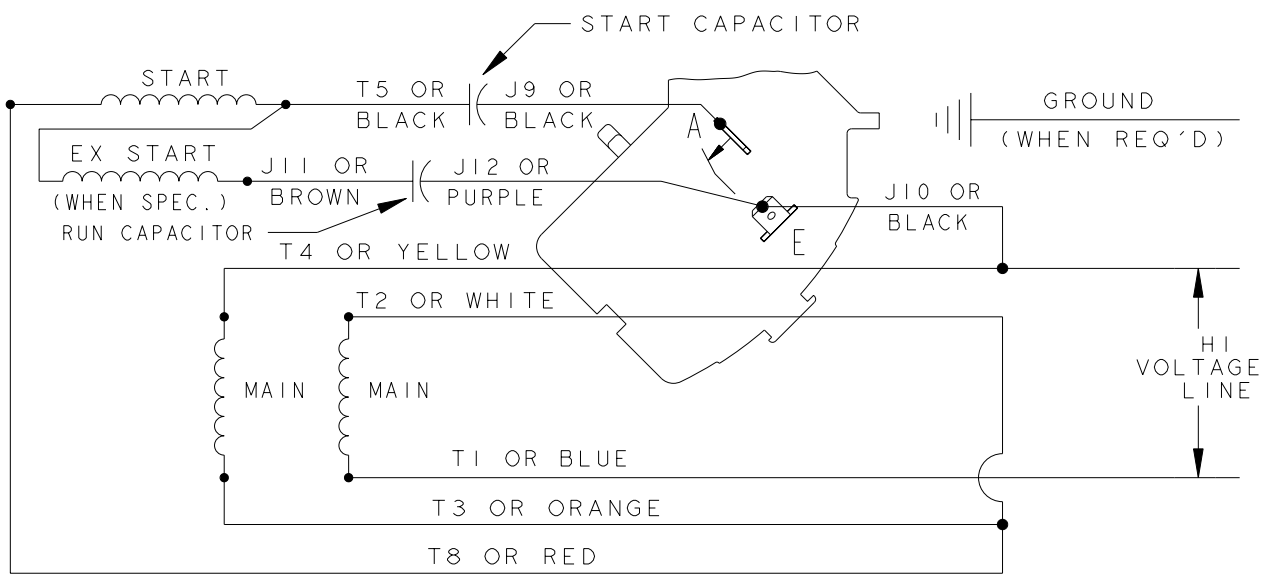
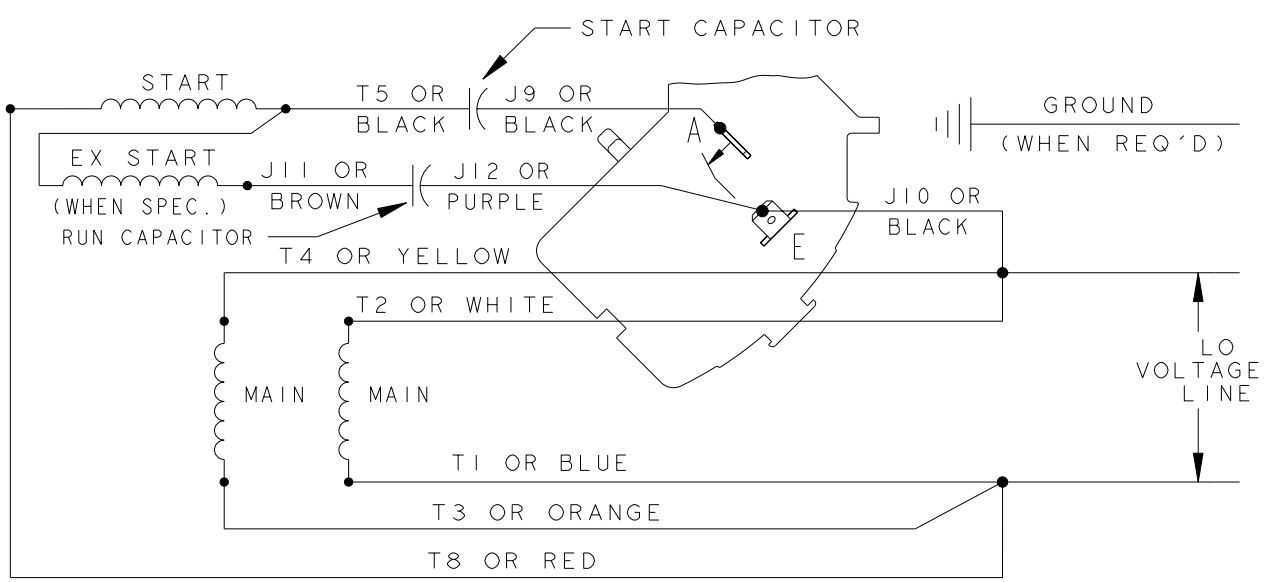
THIS DRAWING IN DESIGN AND DETAIL IS OUR PROPERTY AND MUST NOT BE USED EXCEPT IN CONNECTION WITH OUR WORK ALL RIGHTS OF DESIGN AND INVENTION ARE RESERVED THIS IS AN ELECTRONICALLY GENERATED DOCUMENT - DO NOT SCALE THIS PRINT



SHEET —	THIRD ANGLE PROJECTION	REVISIONS		
		REV. 3	DESCRIPTION UPDATED FORMAT	DATE 01/04/06

REV 0
SIZE DRAWING NO. 52A105381BG

CCW/CW ROTATION - DUAL VOLTAGE
TYPE KCR



NOTE#1 - TO REVERSE ROTATION, INTERCHANGE T8 RED AND J10 BLACK LEADS.
NOTE#2 - WHEN MORE THAN ONE CAPACITOR IS USED, CONNECT IN PARALLEL.

REF. DIAG. - 119A9324	SWITCH (H) - 115D958AB
CONNECTION LABEL - 52X332917	

FOR ADDITIONAL INFO REFER TO: APPLIED PRACTICES DIMENSIONS ARE IN INCHES ✓ MATERIAL	SIGNATURES	DATE	<p>REGAL-BELOIT CORPORATION</p> <p>TITLE</p> <p>CONNECTION DIAGRAM</p>		
	MODEL	MADHU 12/21/09			
	DETAIL	.			
	CHECKED	.			
	ENGRG	.			
QUALITY	.	SIZE	DRAWING	52A105381BG	REV
ISSUED	MADHU 12/21/09	A			0
SOLID MODEL: 52A105381BG	SCALE: 1.000	REF. No:		SHEET 1 of 1	

