

# PRODUCT INFORMATION PACKET



Model No: 5KCR49SN0012X

Catalog No: CG239

General Purpose Motor, 1.5 HP, 1 Ph, 60 Hz, 115/208-230 V, 56H Frame, DP



Regal and LEESON are trademarks of Regal Rexnord Corporation or one of its affiliated companies.  
©2025 Regal Rexnord Corporation, All Rights Reserved. MC017097E





**Nameplate Specifications**

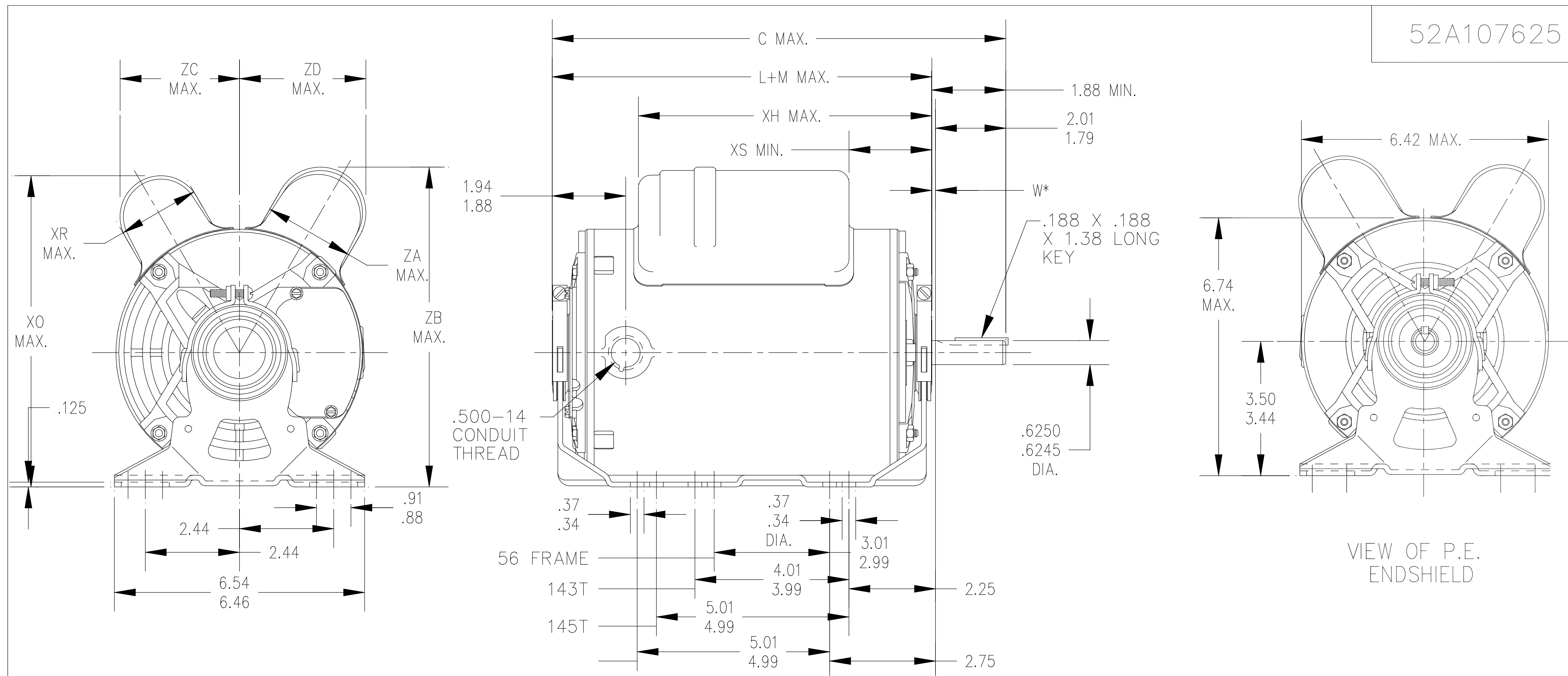
Phase	<b>1</b>	Output HP	<b>1.5 Hp</b>
Output KW	<b>1.1 kW</b>	Voltage	<b>115/208-230 V</b>
Speed	<b>1725 rpm</b>	Service Factor	<b>1.15</b>
Frame	<b>56H</b>	Enclosure	<b>Drip Proof</b>
Thermal Protection	<b>Automatic</b>	Ambient Temperature	<b>40 °C</b>
Frequency	<b>60 Hz</b>	Current	<b>18.2/9.1 A</b>
Power Factor	<b>0</b>	Duty	<b>Continuous</b>
Insulation Class	<b>B</b>	KVA Code	<b>K</b>
Drive End Bearing Size	<b>6205</b>	Opp Drive End Bearing Size	<b>6203</b>
UL	<b>Recognized</b>	CSA	<b>Y</b>
CE	<b>N</b>		

**Technical Specifications**

Electrical Type	<b>Capacitor Start Capacitor Run</b>	Starting Method	<b>Across The Line</b>
Poles	<b>4</b>	Rotation	<b>Selective Counterclockwise</b>
Motor Orientation	<b>Any</b>	Drive End Bearing	<b>Ball</b>
Opp Drive End Bearing	<b>Ball</b>	Frame Material	<b>Rolled Steel</b>
Shaft Type	<b>NEMA 56H</b>	Shaft Diameter	<b>0.625 in</b>
Outline Drawing	<b>52A107625P1</b>	Connection Drawing	<b>52A105383AC</b>

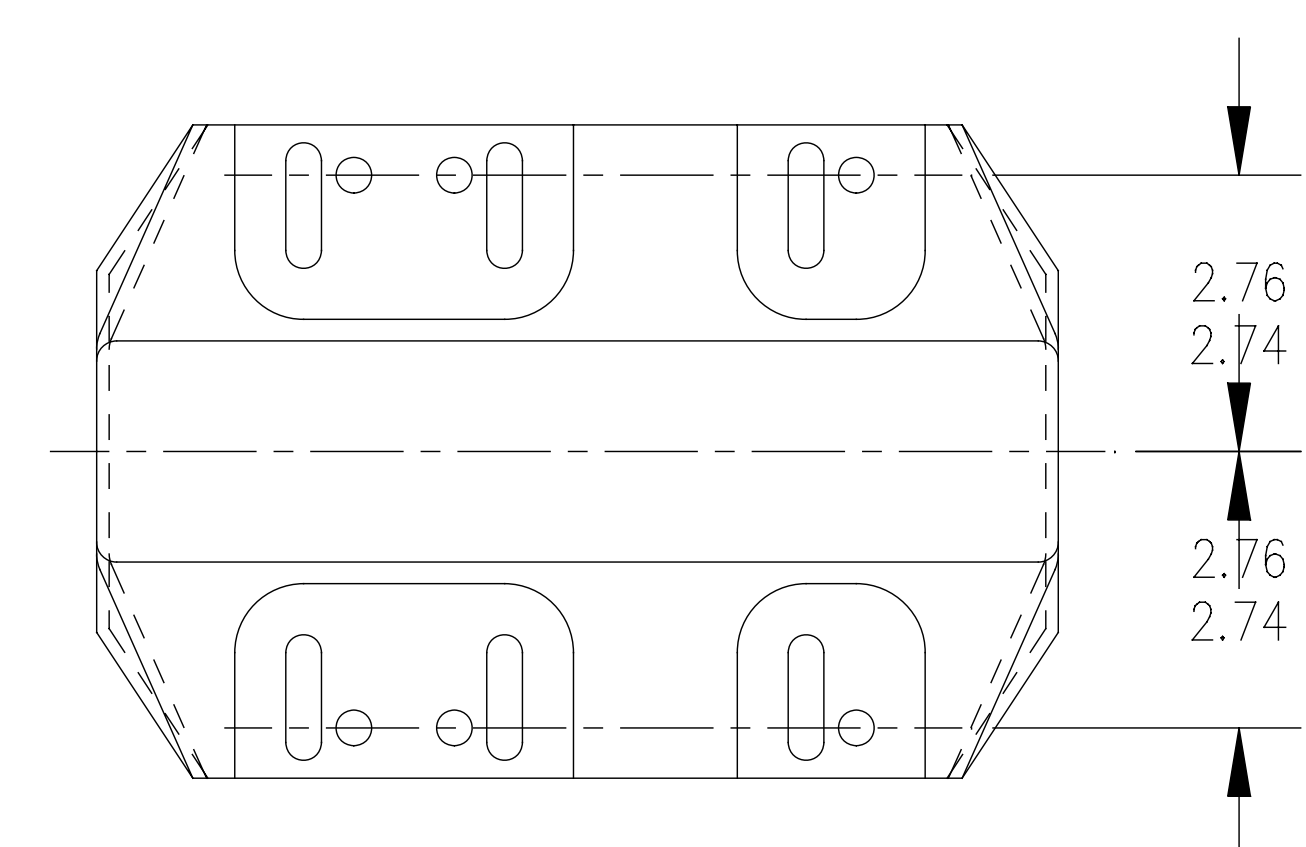
This is an uncontrolled document once printed or downloaded and is subject to change without notice. Date Created:11/13/2025

52A107625



VIEW OF P.E. ENDSHIELD

W\* IS A VARIABLE CLEARANCE DUE TO VARIATIONS IN PARTS AND ASSEMBLY.



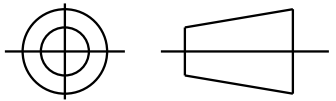
7	KCR	49	56H	13.96	11.96	10.15	8.18	2.15	2.01	1.60	7.63	3.20	3.16	9.63
6	KCR	49	56H	13.96	11.96	8.30	8.16	2.10	2.63	2.40	8.39	3.14	3.33	9.63
5	KCR	49	56H	13.96	11.96	9.67	8.16	2.10	4.00	2.40	8.39	3.14	3.33	9.63
4	KCR	48	56H	12.66	10.76	7.76	8.18	2.15	2.01	2.40	8.40	3.20	3.38	8.43
3	KCR	48	56H	12.66	10.76	7.76	8.18	2.15	2.01	2.72	8.77	3.20	3.68	8.43
2	KCR	49	56H	11.91	10.01	7.76	8.18	2.15	2.01	1.60	7.81	3.20	3.07	7.68
1	KCR	49	56H	11.91	10.01	7.76	8.18	2.15	2.01	2.40	8.40	3.20	3.38	7.68
P	TYPE	GE SIZE	NEMA FR	C	L+M	XH	XO	XR	XS	ZA	ZB	ZC	ZD	MIN. SHELL

				TOLERANCES UNLESS SPECIFIED		<b>REGAL-BELOIT CORPORATION</b>				DRAWN KK 06/18/15				
				DEC.	INCHES					CHK				
				.X	±0.1	TITLE DP- RESIL BASE - BALL -40 FR				APPD KK 06/18/15				
				.XX	±0.02					SCALE 1=1				
				.XXX	±0.005					REF XXXXXXXX				
9	ADDED PART #7 PER DS05-1253			RJ 11/10/15	.XXXX	±0.0005	MAT'L.				FMF			
NO.	REVISION			BY & DATE	CHK	ANG	±1.0	FINISH				PREV		
THIS DRAWING IN DESIGN AND DETAIL IS OUR PROPERTY AND MUST NOT BE USED EXCEPT IN CONNECTION WITH OUR WORK ALL RIGHTS OF DESIGN AND INVENTION ARE RESERVED THIS IS AN ELECTRONICALLY GENERATED DOCUMENT - DO NOT SCALE THIS PRINT					RFP	CAD FILE			52A107625		SIZE	DRAWING NO.		REV.
					DIST						A	52A107625		



SHEET  
REV  
4

THIRD ANGLE PROJECTION

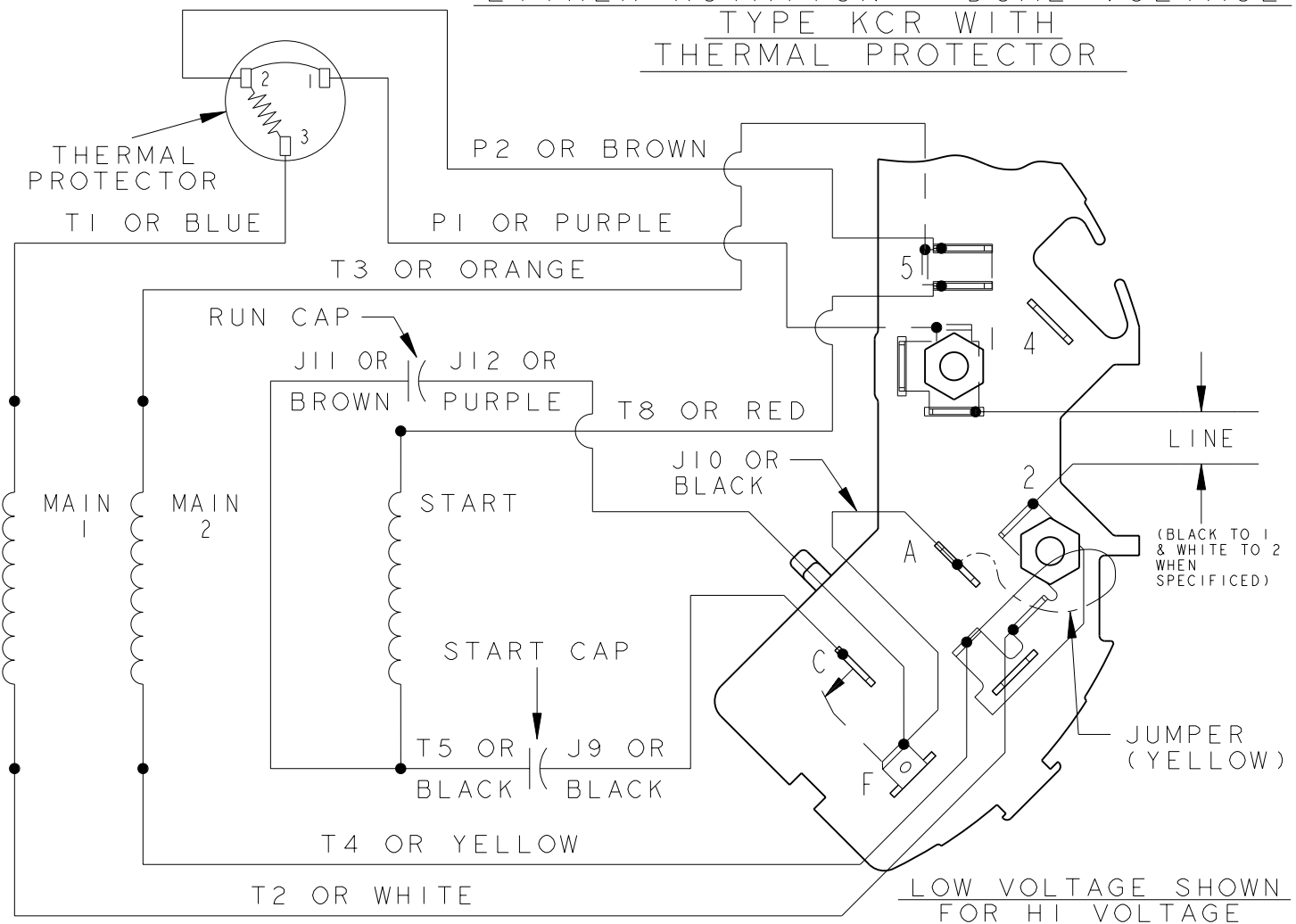


REVISIONS

REV.	DESCRIPTION	DATE	APPROVED
4	ADDED NOTE FOR LINE LEAD PER DS09-1045	07/15/09	ARCHANA

SIZE DRAWING NO.  
52A105383AC

EITHER ROTATION - DUAL VOLTAGE  
TYPE KCR WITH  
THERMAL PROTECTOR



LOW VOLTAGE SHOWN  
FOR HI VOLTAGE  
SEE NOTE #1

- NOTE #1 - FOR HI VOLTAGE REMOVE BROWN (P2) FROM TERMINAL #5 AND PLACE ON TERMINAL #4, REMOVE WHITE (T2) FROM TERMINAL #2 AND PLACE ON TERMINAL #5.
- NOTE #2 - TO REVERSE ROTATION INTERCHANGE BLACK (J10) AND RED (T8) LEADS.
- NOTE #3 - WHEN MORE THAN ONE CAPACITOR IS USED CONNECT IN PARALLEL.

SWITCH - 115D958AC

REF. DIAG. - NONE

CONNECTION LABEL - 52X332051

SIGNATURES		DATE
MODEL	M. D. PAPE	03/03/88
DETAIL	.	.
CHECKED	.	.
ENGRG	.	.
MFG	.	.
FOR ADDITIONAL INFO REFER TO:	QUALITY	.
APPLIED PRACTICES	ISSUED	M. D. P. 03/03/88
DIMENSIONS ARE IN INCHES ✓	SOLID MODEL: 52A105383AC	



REGAL-BELOIT CORPORATION

TITLE		<b>CONNECTION DIAGRAM</b>	
FMF:		<b>30 FRAME SWITCH REDESIGN</b>	
SIZE	DRAWING	<b>52A105383AC</b>	REV <b>4</b>
A		SCALE: 1.000	REF. No: .
			SHEET 1 of 1

