





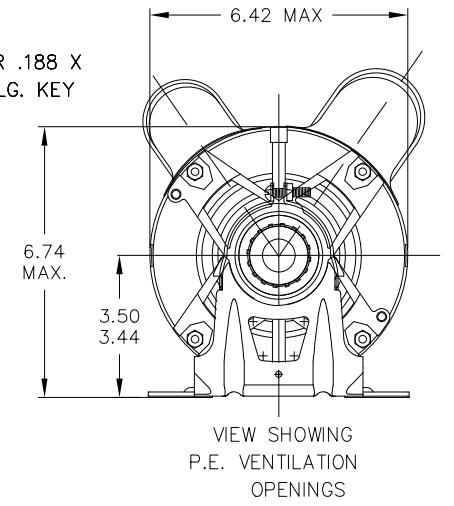
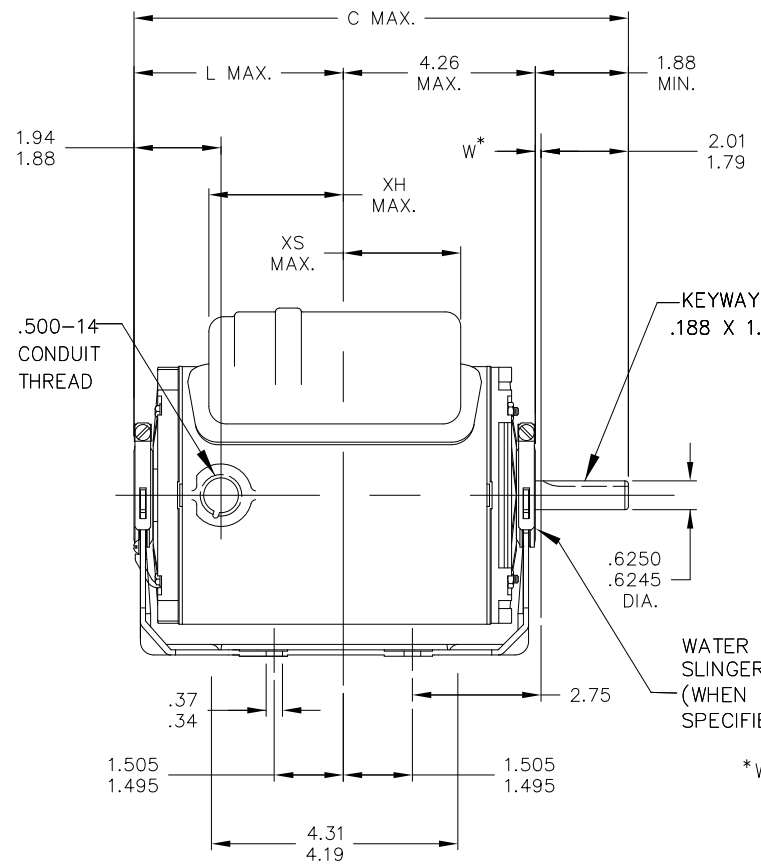
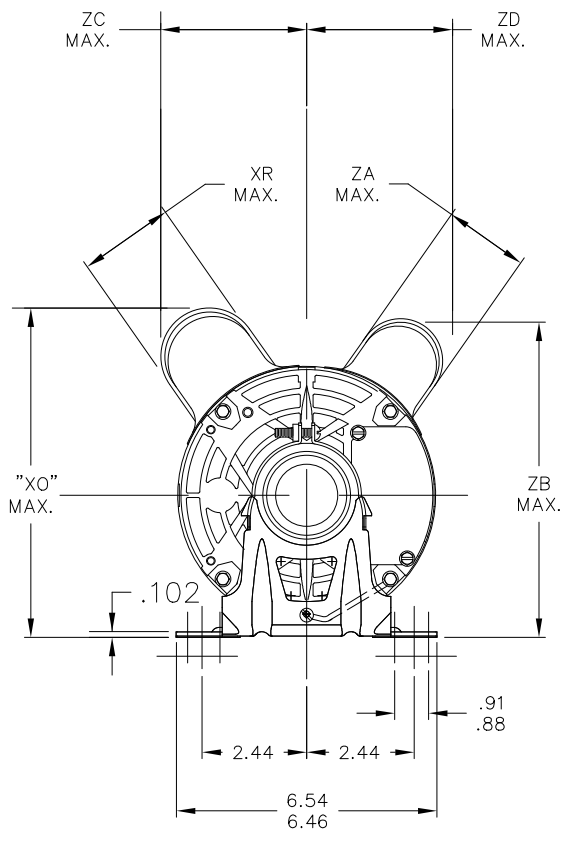
**Nameplate Specifications**

Phase	1	Output HP	1 Hp
Output KW	0.75 kW	Voltage	115/208-230 V
Speed	1725/1425 rpm	Service Factor	1.30
Frame	56	Enclosure	Totally Enclosed Non Ventilated
Thermal Protection	Automatic	Ambient Temperature	40 °C
Frequency	60/50 Hz	Current	10.6/5.5-5.3 A
Power Factor	0	Duty	Continuous
Insulation Class	B	KVA Code	K
Drive End Bearing Size	6203	Opp Drive End Bearing Size	6203
UL	Recognized	CSA	Y
CE	N		

**Technical Specifications**

Electrical Type	Capacitor Start Capacitor Run	Starting Method	Across The Line
Poles	4	Rotation	Selective Counterclockwise
Motor Orientation	Any	Drive End Bearing	Ball
Opp Drive End Bearing	Ball	Frame Material	Rolled Steel
Shaft Type	NEMA 56	Shaft Diameter	0.625 in
Outline Drawing	52A114015P4	Connection Drawing	52A105383AC

This is an uncontrolled document once printed or downloaded and is subject to change without notice. Date Created:11/13/2025



\*W IS A CLEARANCE DUE TO VARIATION IN PARTS AND ASSEMBLY.

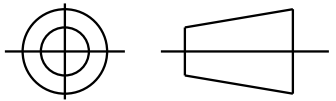
5	KCR	48	56	12.66	6.50	3.76	8.18	2.15	2.01	1.60	7.99	3.20	2.86	8.43
4	KCR	49	56	11.38	5.22	3.51	8.18	2.15	2.24	1.60	7.63	3.20	3.16	7.15
3	KCR	46	56	10.78	4.62	2.91	8.18	2.15	2.84	2.40	8.40	3.20	3.38	6.55
2	KCR	46	56	10.78	4.62	2.91	8.18	2.15	2.84	1.60	7.63	3.20	3.16	6.55
1	KCR	49	56	11.91	5.75	3.58	8.18	2.15	2.17	1.60	7.81	3.20	2.86	7.68
P	TYPE	GE SIZE	NEMA FR	C	L	XH	XO	XR	XS	ZA	ZB	ZC	ZD	MIN REF.

				TOLERANCES UNLESS SPECIFIED		Regal Beloit America, Inc.					DRAWN AP 08/19/22			
				DEC.	INCHES						CHK			
				.X	±.1						APPD SN 08/19/22			
				.XX	±.02						SCALE NTS			
2	BASE CHNAGED AS PER ECR-0224925			MS	13/06/2023	SN	.XXX	±.005	TITLE OUTLINE DRIP PROOF-SOLID OR RESIL. BASE OR BALL BEARING					REF
1	REDRAWN AND CHANGED PER ECR-0220283			AP	08/19/2022	SN	.XXXX	±.0005	MAT'L.					FMF
NO.	REVISION			BY & DATE	CHK	ANG	±7'30"		FINISH					PREV
THIS DRAWING IN DESIGN AND DETAIL IS OUR PROPERTY AND MUST NOT BE USED EXCEPT IN CONNECTION WITH OUR WORK ALL RIGHTS OF DESIGN AND INVENTION ARE RESERVED THIS IS AN ELECTRONICALLY GENERATED DOCUMENT - DO NOT SCALE THIS PRINT				RFP	CAD FILE 52A114015				SIZE	DRAWING NO.	PAGE	OF	REV.	
				DIST	WP				A	52A114015			2	



SHEET  
REV  
4

THIRD ANGLE PROJECTION

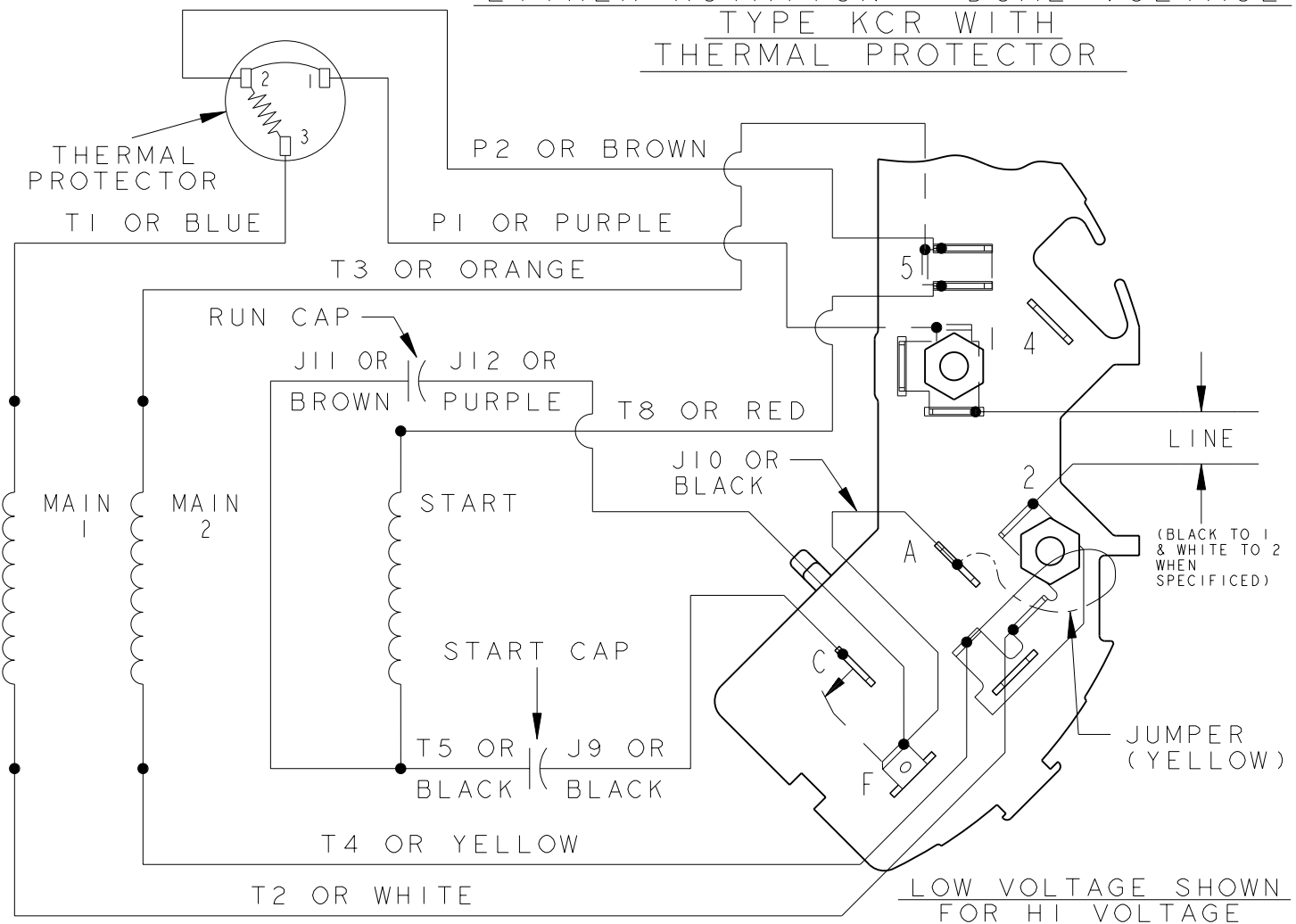


REVISIONS

REV.	DESCRIPTION	DATE	APPROVED
4	ADDED NOTE FOR LINE LEAD PER DS09-1045	07/15/09	ARCHANA

SIZE DRAWING NO.  
52A105383AC

EITHER ROTATION - DUAL VOLTAGE  
TYPE KCR WITH  
THERMAL PROTECTOR



LOW VOLTAGE SHOWN  
FOR HI VOLTAGE  
SEE NOTE #1

- NOTE #1 - FOR HI VOLTAGE REMOVE BROWN (P2) FROM TERMINAL #5 AND PLACE ON TERMINAL #4, REMOVE WHITE (T2) FROM TERMINAL #2 AND PLACE ON TERMINAL #5.
- NOTE #2 - TO REVERSE ROTATION INTERCHANGE BLACK (J10) AND RED (T8) LEADS.
- NOTE #3 - WHEN MORE THAN ONE CAPACITOR IS USED CONNECT IN PARALLEL.

SWITCH - 115D958AC

REF. DIAG. - NONE

CONNECTION LABEL - 52X332051

SIGNATURES		DATE
MODEL	M. D. PAPE	03/03/88
DETAIL	.	.
CHECKED	.	.
ENGRG	.	.
MFG	.	.
FOR ADDITIONAL INFO REFER TO:	QUALITY	.
APPLIED PRACTICES	ISSUED	M. D. P. 03/03/88
DIMENSIONS ARE IN INCHES ✓	SOLID MODEL: 52A105383AC	



REGAL-BELOIT CORPORATION

TITLE		<b>CONNECTION DIAGRAM</b>	
FMF:		<b>30 FRAME SWITCH REDESIGN</b>	
SIZE	DRAWING	<b>52A105383AC</b>	REV <b>4</b>
A	SCALE: 1.000	REF. No: .	SHEET 1 of 1

