

PRODUCT INFORMATION PACKET



Model No: 5KH32DN5618T
Catalog No: HG701
Fan and Blower Motor, 1/4 HP, 1 Ph, 60 Hz, 115 V, 48Y Frame, OPEN



Regal and LEESON are trademarks of Regal Rexnord Corporation or one of its affiliated companies.
©2025 Regal Rexnord Corporation, All Rights Reserved. MC017097E





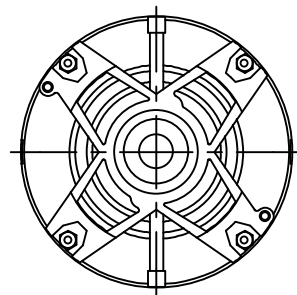
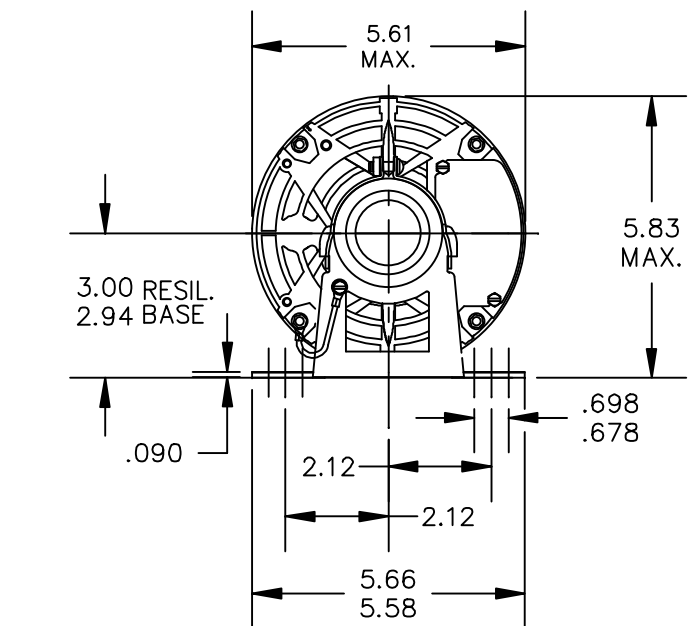
Nameplate Specifications

Phase	1	Output HP	1/4 Hp
Output KW	0.19 kW	Voltage	115 V
Speed	1725 rpm	Service Factor	1.35
Frame	48Y	Enclosure	Open Enclosed
Thermal Protection	Automatic	Ambient Temperature	40 °C
Frequency	60 Hz	Current	5.1 A
Power Factor	0	Duty	Continuous
Insulation Class	B	KVA Code	P
Drive End Bearing Size	6203	Opp Drive End Bearing Size	6203
UL	Recognized (Not Protector)	CSA	Y
CE	N		

Technical Specifications

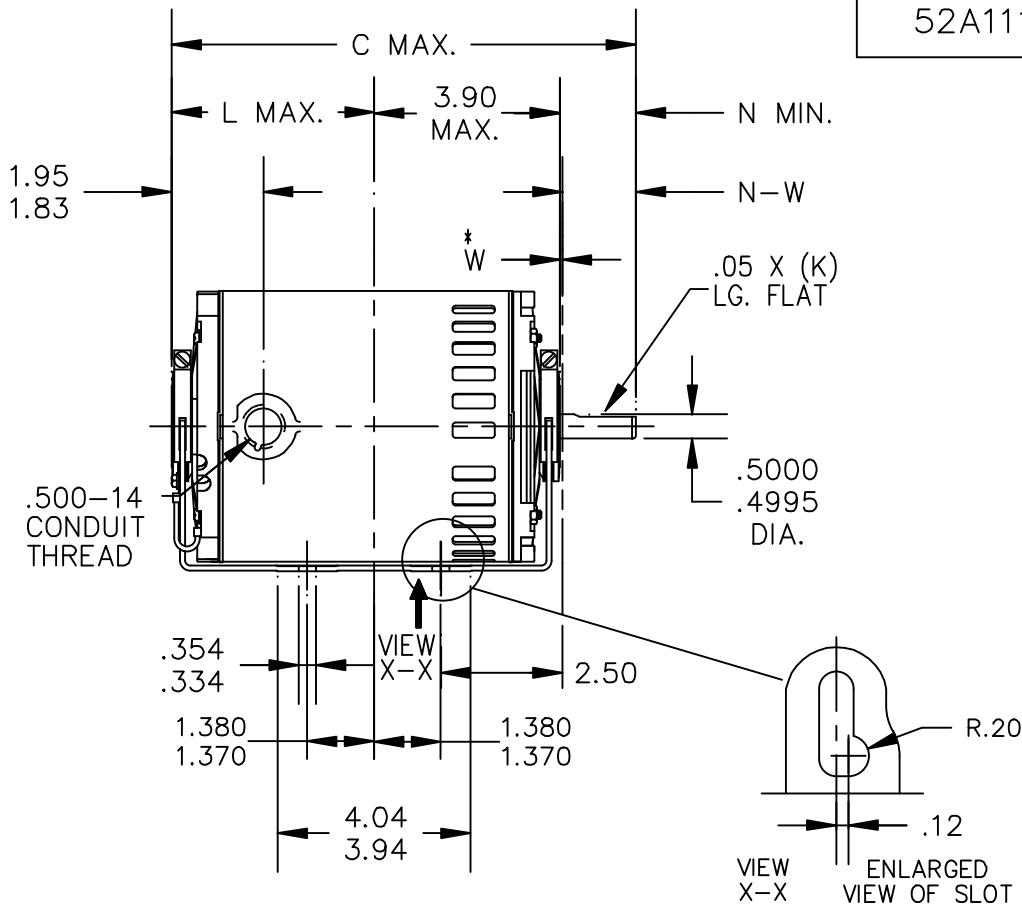
Electrical Type	Split Phase	Starting Method	Across The Line
Poles	4	Rotation	Selective Clockwise
Motor Orientation	Any	Drive End Bearing	Ball
Opp Drive End Bearing	Ball	Frame Material	Rolled Steel
Shaft Type	Special Extension	Shaft Diameter	0.500 in
Connection Drawing	52A105379AA	Outline Drawing	52A111771P2

This is an uncontrolled document once printed or downloaded and is subject to change without notice. Date Created:11/13/2025



VIEW SHOWING P.E. VENTILATION OPENINGS

W* IS A CLEARANCE DUE TO VARIATION IN PARTS AND ASSEMBLY.

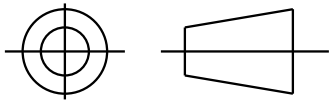


4	K	KH	32	48Y	8.94	1.25	3.59	1.50	1.63/1.41
3	K	KH	33	48Y	9.19	1.16	3.84	1.50	1.63/1.41
2	K	KH	32	48Y	8.94	1.16	3.59	1.50	1.63/1.41
1	K	KH	35	48Y	9.57	1.16	4.22	1.50	1.63/1.41
P	TYPE	RBC SIZE	NEMA FR	C	K	L	N	N-W	

NO.	REVISION	BY & DATE	CHK	TOLERANCES UNLESS SPECIFIED		FINISH	MAT'L.	TITLE	DRAWN DS 02/26/07	
				DEC.	INCHES					CHK
3	CHG GD LD 4:30 TO 7:30 PER IS11-0510 & REDRAWN IN DRAFT SIGHT	UD 9/24/12	PKG	.X	±0.1			REGAL-BELOIT CORPORATION	APPD DS 02/26/07	
2	ADDED P4 PER IS10 - 2231	PN 9/16/10		.XXX	±0.005			REGAL-BELOIT CORPORATION	SCALE 1=1	
1	GROUND LEAD ADDED PER IS07-0531	BM 10/26/07		.XXXX	±0.0005			REGAL-BELOIT CORPORATION	REF	
				ANG	±1.0			REGAL-BELOIT CORPORATION	FMF	
				RFP		CAD FILE	52A111771	REGAL-BELOIT CORPORATION	PREV	
				DIST				REGAL-BELOIT CORPORATION		
THIS DRAWING IN DESIGN AND DETAIL IS OUR PROPERTY AND MUST NOT BE USED EXCEPT IN CONNECTION WITH OUR WORK ALL RIGHTS OF DESIGN AND INVENTION ARE RESERVED THIS IS AN ELECTRONICALLY GENERATED DOCUMENT - DO NOT SCALE THIS PRINT								SIZE A	DRAWING NO. 52A111771	REV. 3

SHEET 1
REV 6
52A105379AA
SIZE DRAWING NO. A

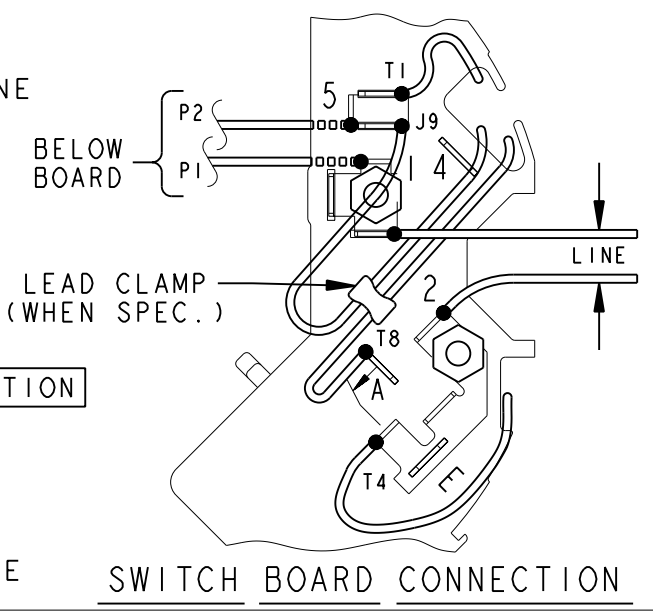
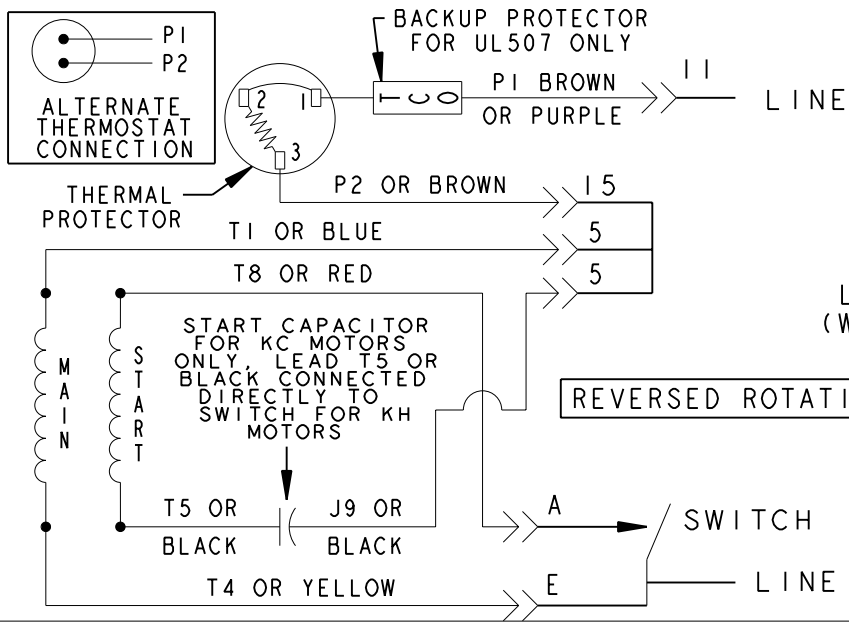
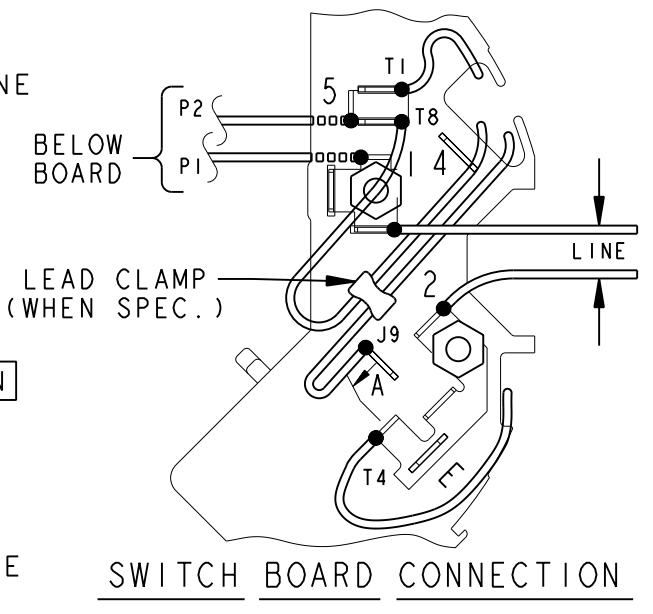
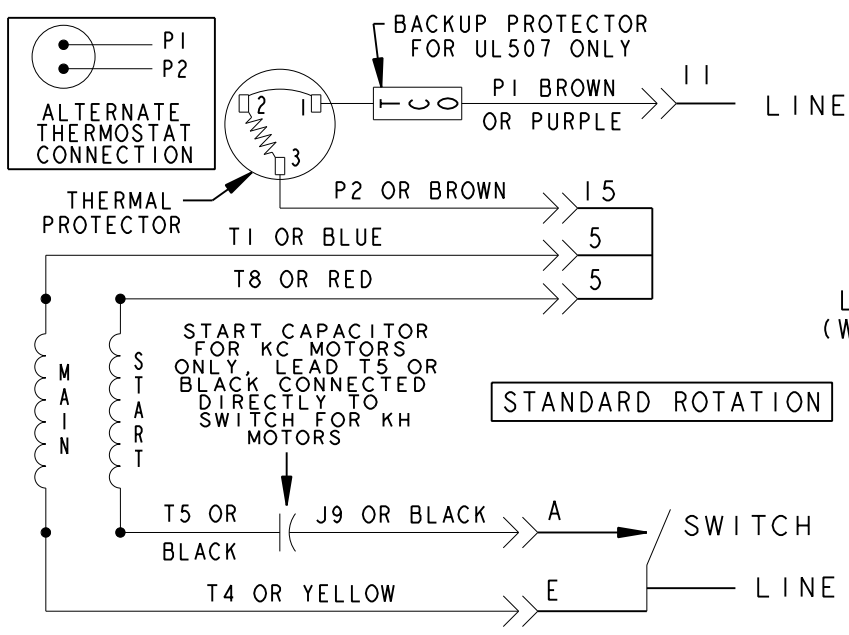
THIRD ANGLE PROJECTION



REVISIONS

REV.	DESCRIPTION	DATE	APPROVED
6	UPDATED FORMAT	12/01/05	MAM


EITHER ROTATION-SINGLE VOLTAGE-TYPE KC OR KH-WITH THERMAL PROTECTOR



NOTE #1 - TO REVERSE ROTATION INTERCHANGE RED (T8) AND BLACK (J9-KC OR T5-KH) LEADS.
NOTE #2 - WHEN MORE THAN ONE CAPACITOR IS USED CONNECT IN PARALLEL.

SWITCH (C) - 115D958AB REF. DIAG. - 121A851 CONN. LABEL - 52X332048

SIGNATURES		DATE
MODEL	M. D. PAPE	06/29/87
DETAIL	.	.
CHECKED	.	.
ENGRG	.	.
MFG	.	.
FOR ADDITIONAL INFO REFER TO:	QUALITY	.
APPLIED PRACTICES	ISSUED	M. D. P. 03/08/00
DIMENSIONS ARE IN INCHES	SOLID MODEL: 52A105379AA	



REGAL-BELOIT CORPORATION

TITLE **CONNECTION DIAGRAM**

FMF - 30 FR SWITCH REDESIGN

SIZE DRAWING **52A105379AA** REV **6**

SCALE: 1.000 REF. No: SHEET 1 of 1