

PRODUCT INFORMATION PACKET



Model No: 5KH32ENA443X
Catalog No: H682
Carbonator Pump Motor, 1/3 HP, 1 Ph, 60 Hz, 115 V, 48Y Frame, DP



Regal and LEESON are trademarks of Regal Rexnord Corporation or one of its affiliated companies.
©2025 Regal Rexnord Corporation, All Rights Reserved. MC017097E





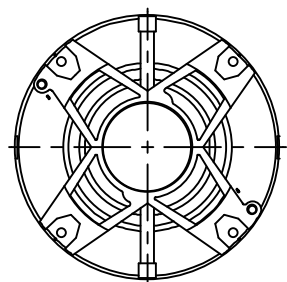
Nameplate Specifications

Phase	1	Output HP	1/3 Hp
Output KW	0.25 kW	Voltage	115 V
Speed	1725 rpm	Service Factor	1
Frame	48Y	Enclosure	Drip Proof
Thermal Protection	Automatic	Ambient Temperature	40 °C
Frequency	60 Hz	Current	6.1 A
Power Factor	0	Duty	Continuous
Insulation Class	B	KVA Code	P
Drive End Bearing Size	6203	Opp Drive End Bearing Size	6203
UL	Recognized	CSA	Y
CE	N		

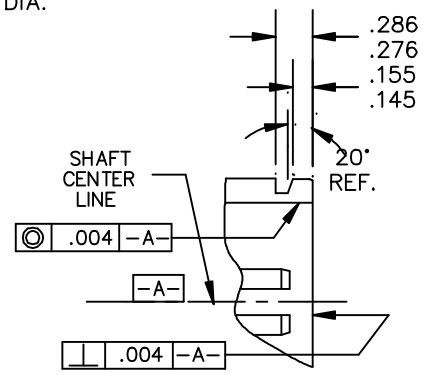
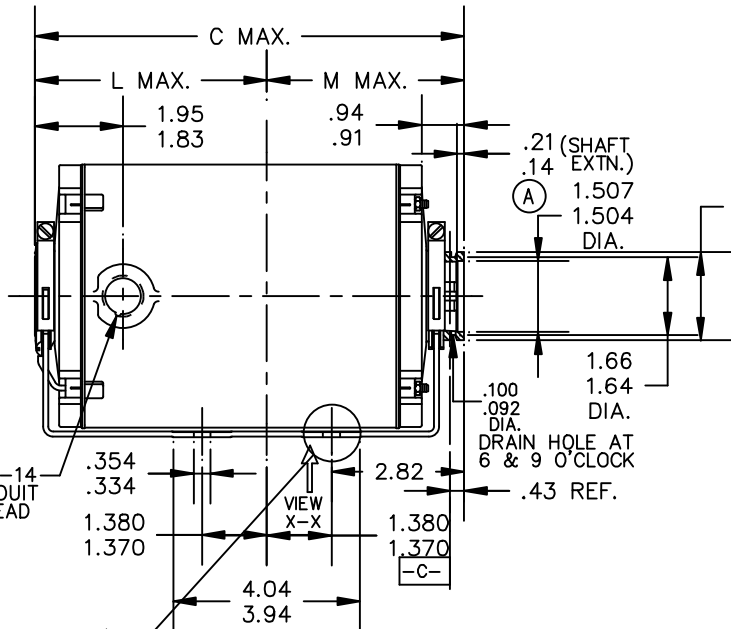
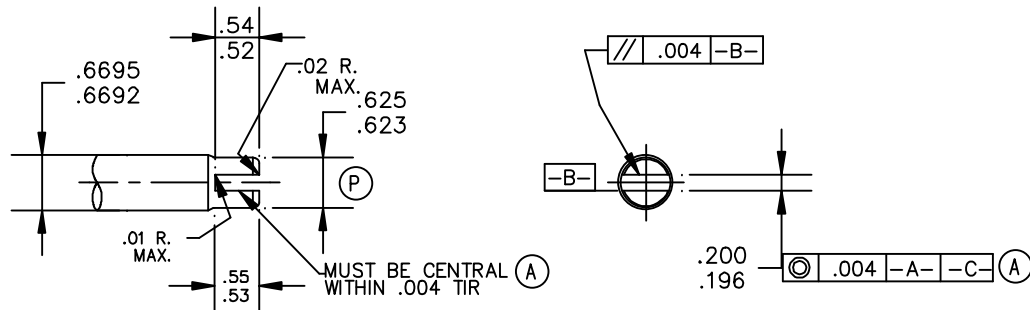
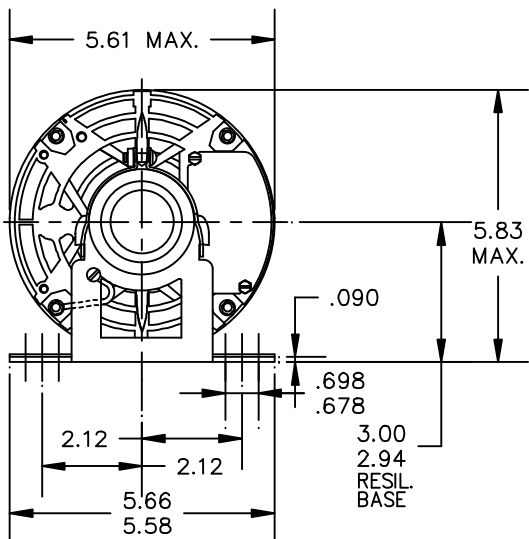
Technical Specifications

Electrical Type	Split Phase	Starting Method	Across The Line
Poles	4	Rotation	Selective Counterclockwise
Motor Orientation	Any	Drive End Bearing	Ball
Opp Drive End Bearing	Ball	Frame Material	Rolled Steel
Shaft Type	Special Extension		
Connection Drawing	52A105379AA	Outline Drawing	52A111767P1

This is an uncontrolled document once printed or downloaded and is subject to change without notice. Date Created:11/13/2025



VIEW SHOWING P.E. VENTILATION OPENINGS



CONTROL SURFACES & DIMENSIONS

(P) PROC.

(E) ENG.

(A) APPL.

(R) REG.

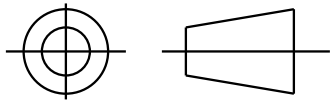
NO.	TYPE	RBC SIZE	NEMA FR	C	L	M
6	KH	38	48Y	9.75	5.60	4.28
5	KH	37	48Y	9.15	5.01	4.28
4	KH	36	48Y	8.75	4.61	4.28
3	KH	35	48Y	8.32	4.18	4.28
2	KH	33	48Y	7.94	3.80	4.28
1	KH	32	48Y	7.69	3.55	4.28

				TOLERANCES UNLESS SPECIFIED		REGAL-BELOIT CORPORATION			DRAWN MADHU 02/02/07			
				DEC.	INCHES	REGAL-BELOIT CORPORATION			CHK			
				.X	±0.1	REGAL-BELOIT CORPORATION			APPD DURGA 02/02/07			
02	CHG GD LD FROM 4.30 TO 7.30 PER IS11-0510 & REDRAWN IN DRAFT SIGHT	PVR 09/24/12	PKG	.XX	±0.02	TITLE			SCALE 1=1			
01	UPDATED PER IS07-0144	MAD 02/20/07		.XXX	±0.005	OUTLINE			REF			
				.XXXX	±0.0005	CARBONATOR PUMP - DRIP PROOF - RESIL. BASE			FMF			
NO.	REVISION	BY & DATE	CHK	ANG	±1.0	MAT'L.			PREV			
				RFP		CAD FILE 52A111767			SIZE	DRAWING NO.		REV.
				DIST					A	52A111767		02

THIS DRAWING IN DESIGN AND DETAIL IS OUR PROPERTY AND MUST NOT BE USED EXCEPT IN CONNECTION WITH OUR WORK ALL RIGHTS OF DESIGN AND INVENTION ARE RESERVED THIS IS AN ELECTRONICALLY GENERATED DOCUMENT - DO NOT SCALE THIS PRINT

SHEET 6
REV 6
52A105379AA
SIZE DRAWING NO. A

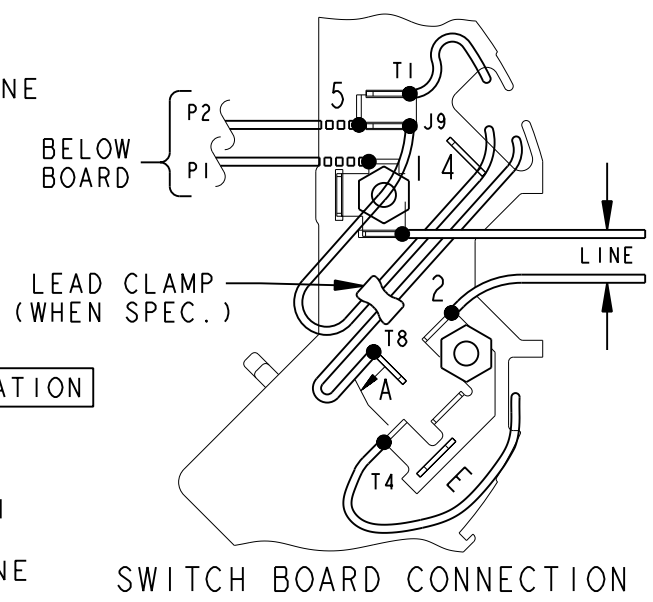
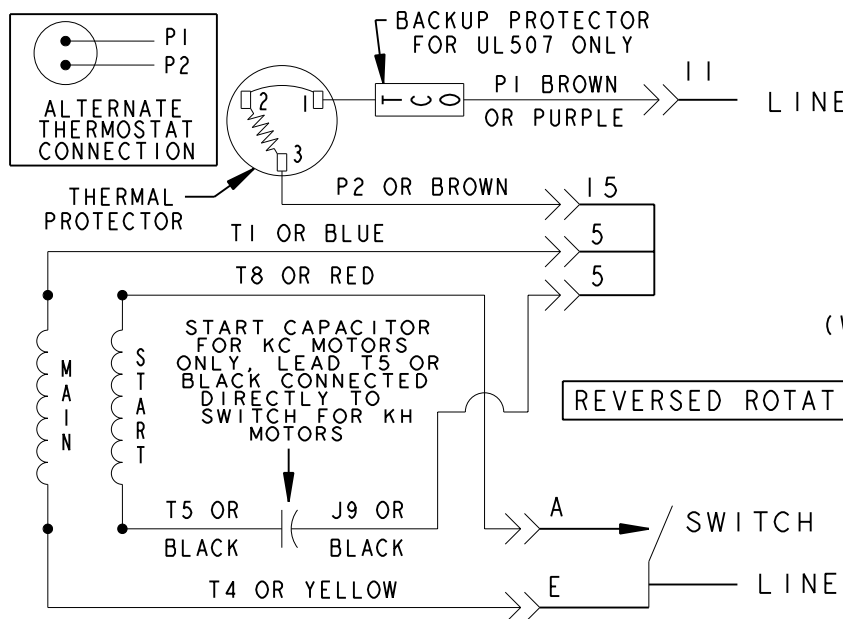
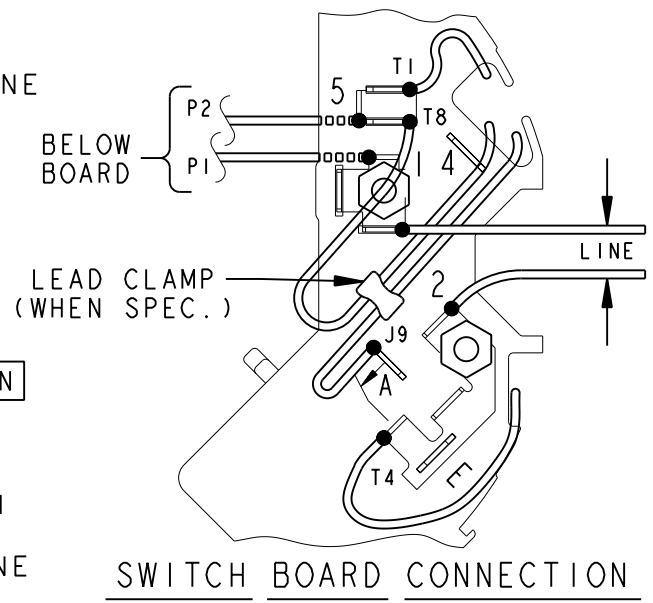
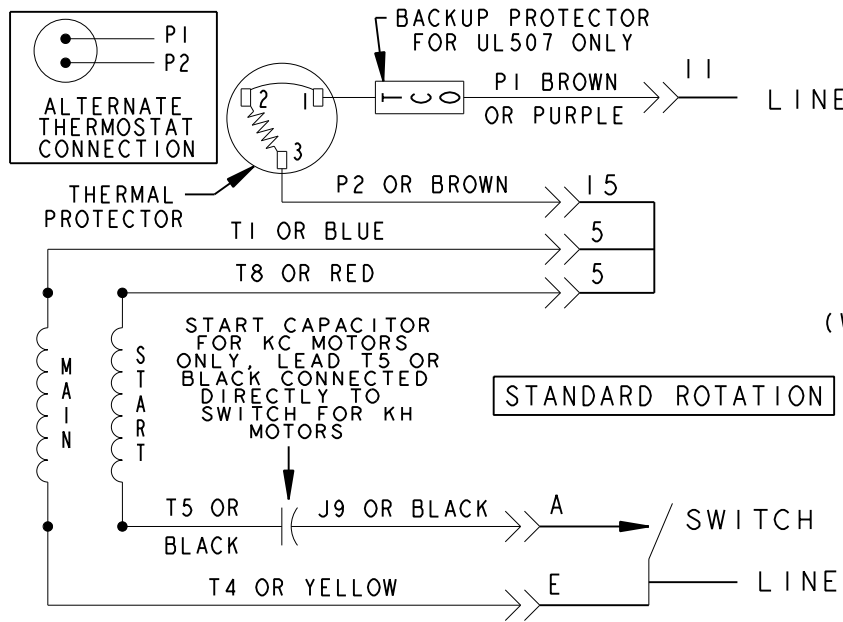
THIRD ANGLE PROJECTION



REVISIONS

REV.	DESCRIPTION	DATE	APPROVED
6	UPDATED FORMAT	12/01/05	MAM


EITHER ROTATION-SINGLE VOLTAGE-TYPE KC OR KH-WITH THERMAL PROTECTOR



NOTE #1 - TO REVERSE ROTATION INTERCHANGE RED (T8) AND BLACK (J9-KC OR T5-KH) LEADS.
NOTE #2 - WHEN MORE THAN ONE CAPACITOR IS USED CONNECT IN PARALLEL.

SWITCH (C) - 115D958AB REF. DIAG. - 121A851 CONN. LABEL - 52X332048

	SIGNATURES		DATE
	MODEL	M. D. PAPE	06/29/87
DETAIL	.	.	
CHECKED	.	.	
ENGRG	.	.	
MFG	.	.	
FOR ADDITIONAL INFO REFER TO:	QUALITY	.	.
APPLIED PRACTICES	ISSUED	M. D. P.	03/08/00
DIMENSIONS ARE IN INCHES	SOLID MODEL: 52A105379AA		



REGAL-BELOIT CORPORATION

CONNECTION DIAGRAM

FMF - 30 FR SWITCH REDESIGN

SIZE: DRAWING
A

SCALE: 1.000 REF. No: .

52A105379AA REV 6

SHEET 1 of 1