

PRODUCT INFORMATION PACKET



Model No: 5KH32FN5586X
Catalog No: 4406
Carbonator Pump Motor, 1/3 HP, 1 Ph, 60 Hz, 115 V, 48Y Frame, DP



Regal and LEESON are trademarks of Regal Rexnord Corporation or one of its affiliated companies.
©2025 Regal Rexnord Corporation, All Rights Reserved. MC017097E





Nameplate Specifications

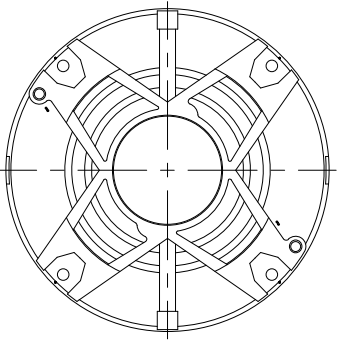
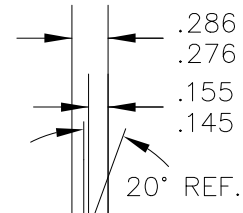
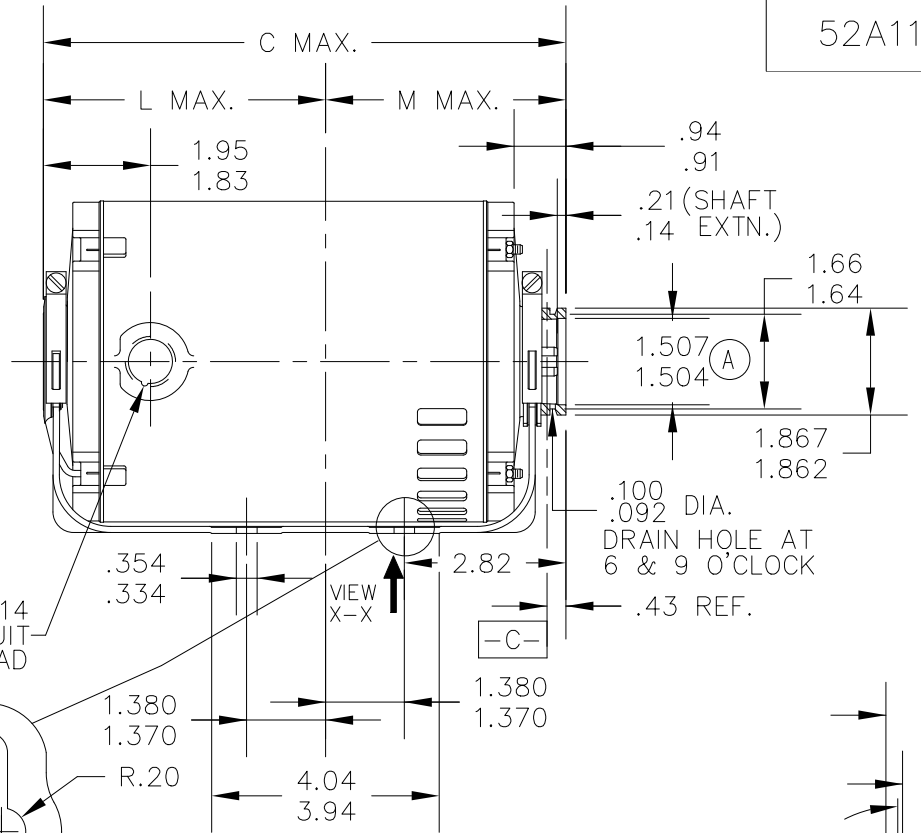
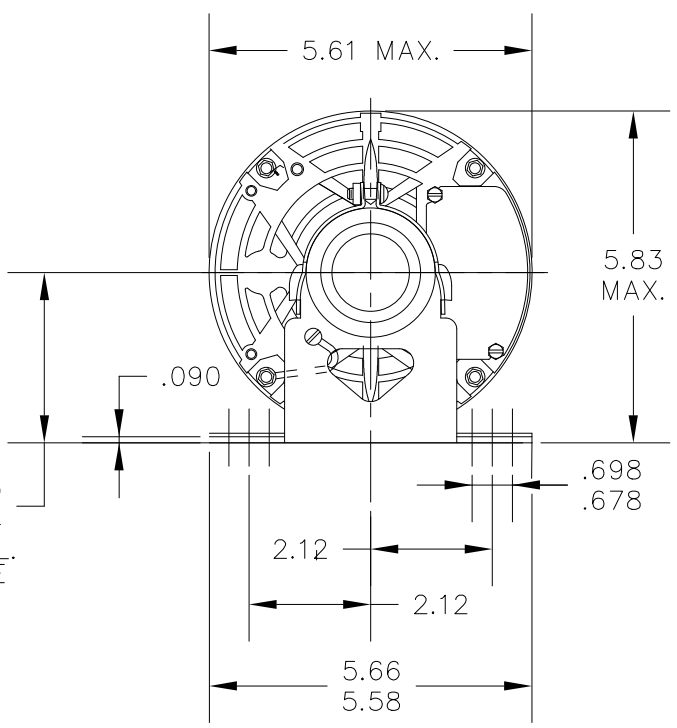
Phase	1	Output HP	1/3 Hp
Output KW	0.25 kW	Voltage	115 V
Speed	1725 rpm	Service Factor	1.15
Frame	48Y	Enclosure	Drip Proof
Thermal Protection	Automatic	Ambient Temperature	40 °C
Frequency	60 Hz	Current	5.6 A
Power Factor	0	Duty	Continuous
Insulation Class	B	KVA Code	N
Drive End Bearing Size	6203	Opp Drive End Bearing Size	6203
UL	Recognized	CSA	Y
CE	N		

Technical Specifications

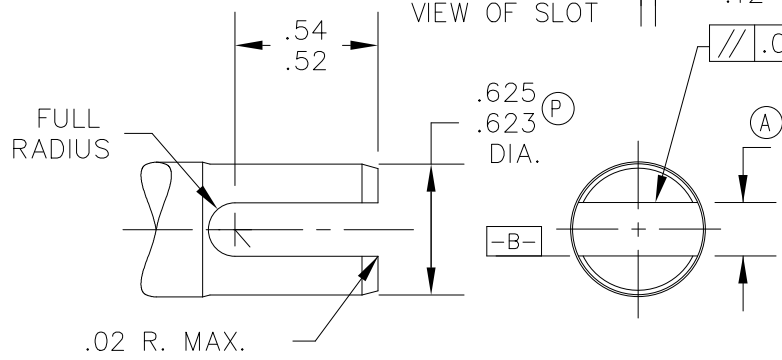
Electrical Type	Split Phase	Starting Method	Across The Line
Poles	4	Rotation	Selective Counterclockwise
Motor Orientation	Any	Drive End Bearing	Ball
Opp Drive End Bearing	Ball	Frame Material	Rolled Steel
Shaft Type	Special Extension	Shaft Diameter	.625 in
Outline Drawing	52A113052P1	Connection Drawing	52A105379AA

This is an uncontrolled document once printed or downloaded and is subject to change without notice. Date Created:11/13/2025

- SURFACES & DIMENSIONS
- (P) PROC.
 - (E) ENG.
 - (A) APPL.
 - (R) REG.



VIEW SHOWING P.E. VENTILATION OPENINGS



VIEW X-X ENLARGED VIEW OF SLOT

1	KH	32	48Y	7.79	3.55	4.28
P	TYPE	RBC SIZE	NEMA FR	C	L	M

NO.	REVISION	BY & DATE	CHK	TOLERANCES UNLESS SPECIFIED	
				DEC.	INCHES
4	CHGD SHAFT DIA EXT WAS .490/.488 PER ECR-0222871	SN 12/20/2022	SN	.X	±0.1
3	PART # 2 DELETED AS PER IS12-4648	UD 9/26/12	KK	.XX	±0.02
2	CHG GD LD FROM 4:30 TO 7:30 PER IS11-0510.	UD 9/24/12	PKG	.XXX	±0.005
1	ADDED CORE SET TO PART #2.	KK 13/03/12		.XXXX	±0.0005
				ANG	±1.0

<p>REGAL-BELOIT CORPORATION</p>	DRAWN	GD 10/25/05
	CHK	
	APPD	GD 10/25/05
	SCALE	1=1
	REF	
TITLE	OUTLINE	
MAT'L.	CARBONATOR PUMP - OPEN - RESIL. BASE	
FINISH		

THIS DRAWING IN DESIGN AND DETAIL IS OUR PROPERTY AND MUST NOT BE USED EXCEPT IN CONNECTION WITH OUR WORK ALL RIGHTS OF DESIGN AND INVENTION ARE RESERVED THIS IS AN ELECTRONICALLY GENERATED DOCUMENT - DO NOT SCALE THIS PRINT

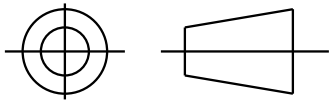
RFP
DIST

CAD FILE 52A113052
3 of 4

SIZE A
DRAWING NO. 52A113052
REV. 4

SHEET 1
REV 6
52A105379AA
SIZE DRAWING NO. A

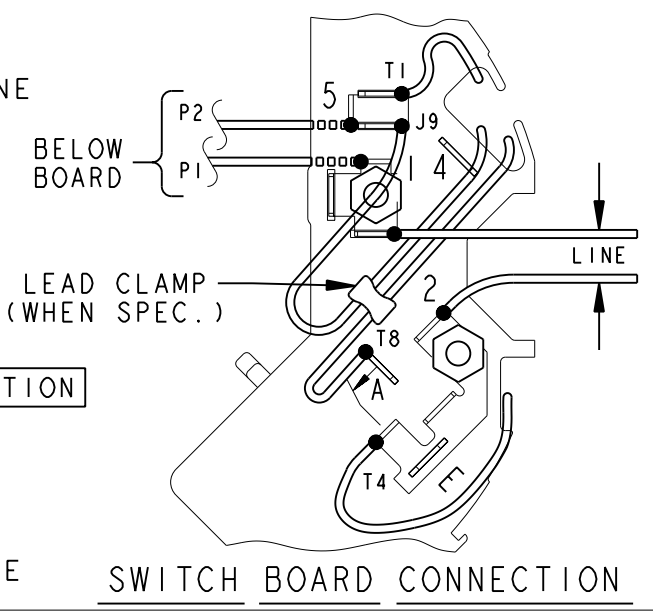
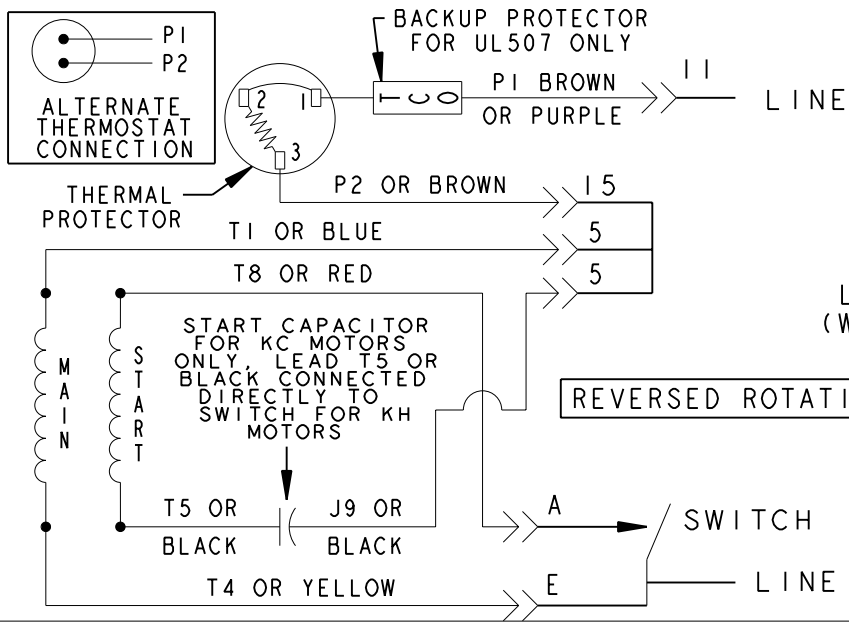
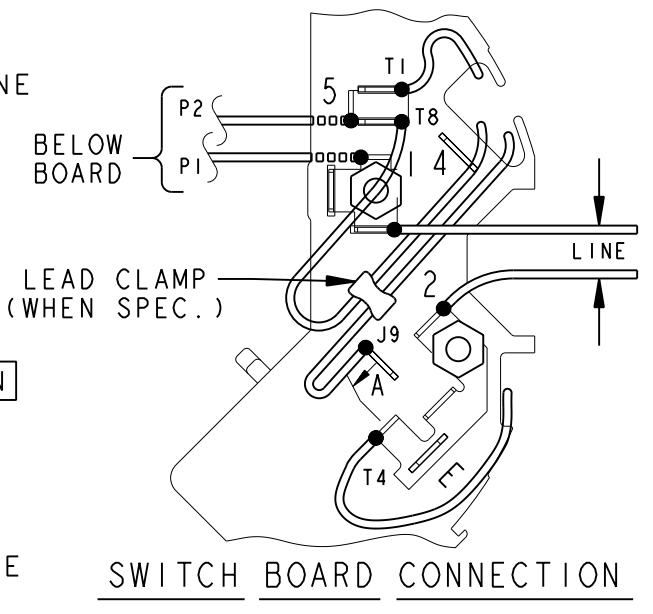
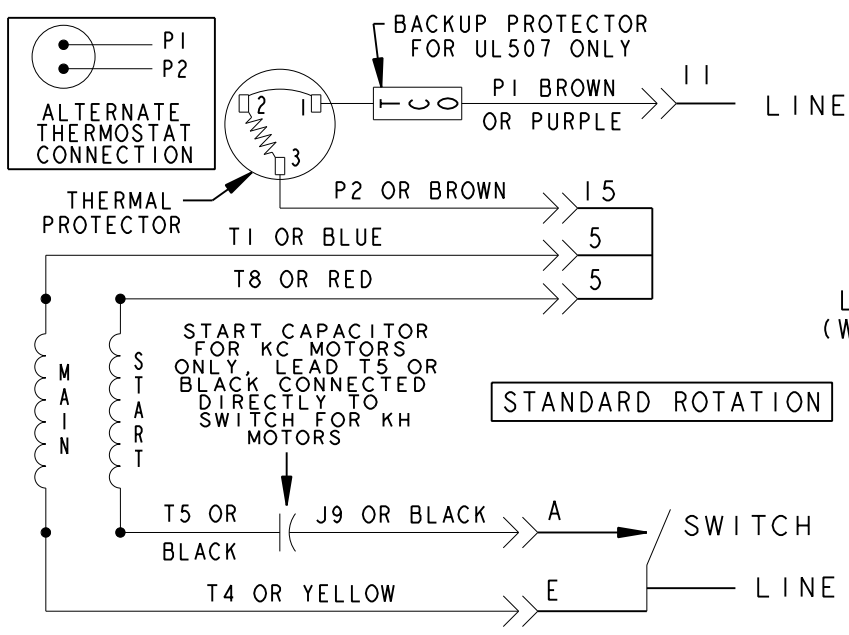
THIRD ANGLE PROJECTION



REVISIONS

REV.	DESCRIPTION	DATE	APPROVED
6	UPDATED FORMAT	12/01/05	MAM


EITHER ROTATION-SINGLE VOLTAGE-TYPE KC OR KH-WITH THERMAL PROTECTOR



NOTE #1 - TO REVERSE ROTATION INTERCHANGE RED (T8) AND BLACK (J9-KC OR T5-KH) LEADS.
NOTE #2 - WHEN MORE THAN ONE CAPACITOR IS USED CONNECT IN PARALLEL.

SWITCH (C) - 115D958AB REF. DIAG. - 121A851 CONN. LABEL - 52X332048

SIGNATURES		DATE
MODEL	M. D. PAPE	06/29/87
DETAIL	.	.
CHECKED	.	.
ENGRG	.	.
MFG	.	.
FOR ADDITIONAL INFO REFER TO:	QUALITY	.
APPLIED PRACTICES	ISSUED	M. D. P. 03/08/00
DIMENSIONS ARE IN INCHES	SOLID MODEL: 52A105379AA	



REGAL-BELOIT CORPORATION

CONNECTION DIAGRAM

FMF - 30 FR SWITCH REDESIGN

SIZE DRAWING: A

SCALE: 1.000 REF. No: .

52A105379AA REV 6

SHEET 1 of 1