

PRODUCT INFORMATION PACKET



Model No: 5KH32FNA499S

Catalog No: X1903

General Purpose Farm Duty Motor, 1/4 HP, 1 Ph, 60 Hz, 115 V, 48Z Frame, TENV



Regal and LEESON are trademarks of Regal Rexnord Corporation or one of its affiliated companies.
©2025 Regal Rexnord Corporation, All Rights Reserved. MC017097E





Nameplate Specifications

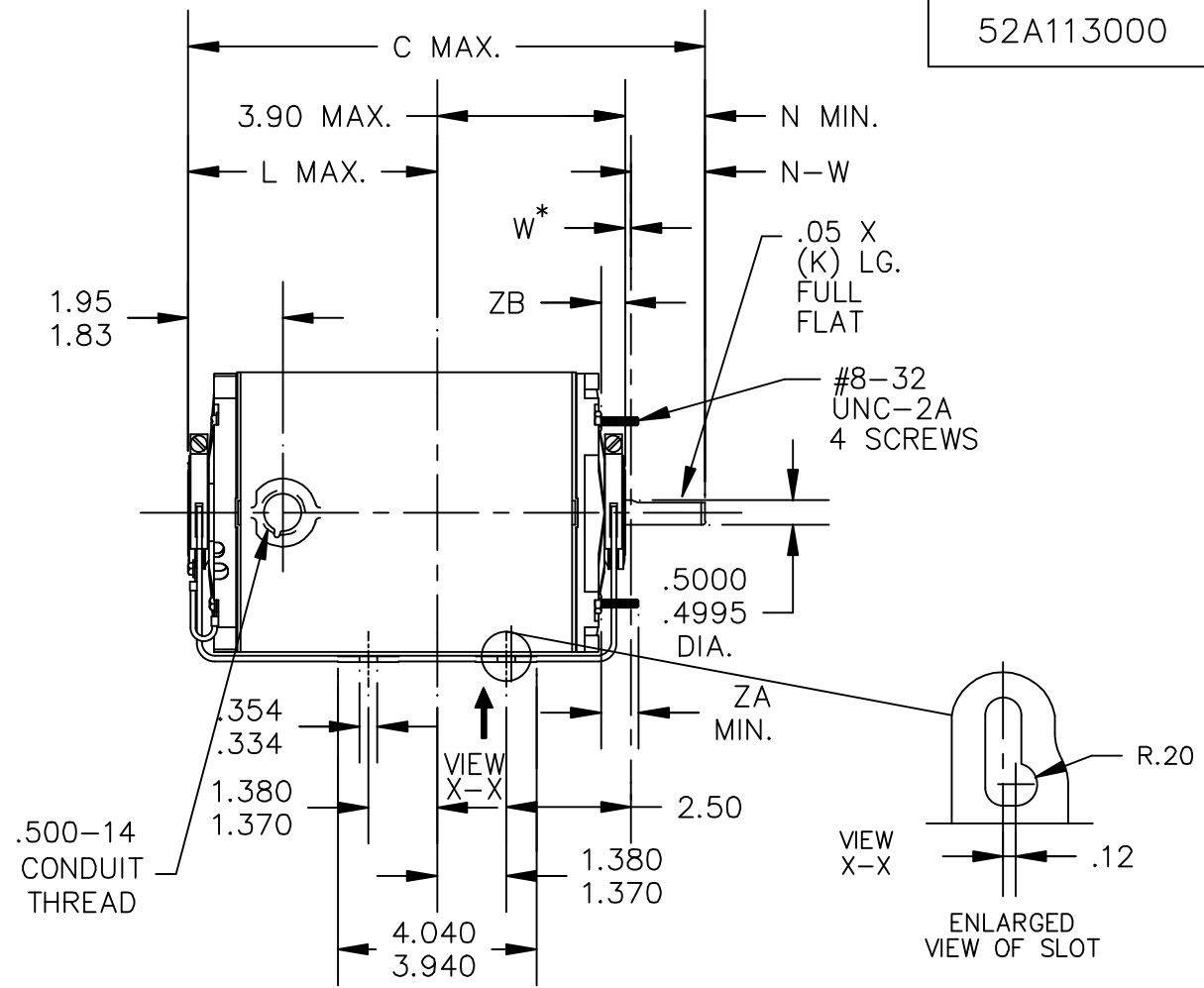
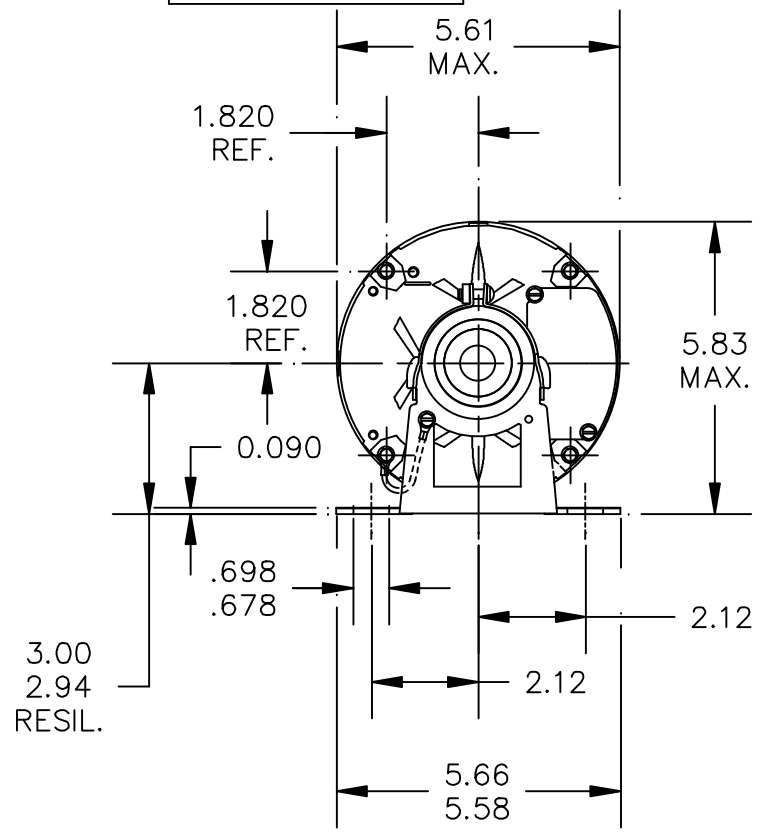
Phase	1	Output HP	1/4 Hp
Output KW	0.19 kW	Voltage	115 V
Speed	1725 rpm	Service Factor	1
Frame	48Z	Enclosure	Totally Enclosed Non Ventilated
Thermal Protection	Automatic	Ambient Temperature	40 °C
Frequency	60 Hz	Current	5.1 A
Power Factor	0	Duty	Continuous
Insulation Class	B	KVA Code	R
Drive End Bearing Size	6203	Opp Drive End Bearing Size	6203
UL	Recognized	CSA	Y
CE	N		

Technical Specifications

Electrical Type	Split Phase	Starting Method	Across The Line
Poles	4	Rotation	Selective Counterclockwise
Motor Orientation	Any	Drive End Bearing	Ball
Opp Drive End Bearing	Ball	Frame Material	Rolled Steel
Shaft Type	Special Extension	Shaft Diameter	0.500 in
Outline Drawing	52A113000P2	Connection Drawing	52A105379AA

This is an uncontrolled document once printed or downloaded and is subject to change without notice. Date Created:11/13/2025

CONTINUED FROM
52A101954



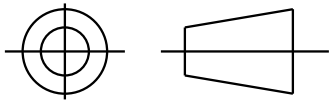
W* IS A CLEARANCE DUE TO VARIATION IN PARTS AND ASSEMBLY.

3	KH	33	48Z	9.93	1.91	3.84	2.25	2.38/2.16	.55/.52	.62
2	KH	32	48Z	9.68	1.91	3.59	2.25	2.38/2.16	.55/.52	.78
1	KH	36	48Z	11.00	2.16	4.65	2.50	2.63/2.41	.55/.52	.62
P	TYPE	RBC SIZE	NEMA FR	C	K	L	N	N-W	ZB	ZA

				TOLERANCES UNLESS SPECIFIED		REGAL-BELOIT CORPORATION		DRAWN BOMMU 10/23/07		
				DEC.	INCHES			CHK		
				.X	±0.1	TITLE		APPD PRAVEEN 10/23/07		
				.XX	±0.02			SCALE 1=1		
01	CHG GD LD FROM 4.30 TO 7.30 PER IS11-0510.	PVR 09/24/12	PKG	.XXX	±0.005	OUTLINE TENV - RESIL BASE		REF		
	& REDRAWN IN DRAFT SIGHT			.XXXX	±0.0005			MAT'L.		FMF
Nº.	REVISION	BY & DATE	CHK	ANG	±1.0	FINISH		PREV		
THIS DRAWING IN DESIGN AND DETAIL IS OUR PROPERTY AND MUST NOT BE USED EXCEPT IN CONNECTION WITH OUR WORK ALL RIGHTS OF DESIGN AND INVENTION ARE RESERVED THIS IS AN ELECTRONICALLY GENERATED DOCUMENT - DO NOT SCALE THIS PRINT				RFP		CAD FILE 52A113000		SIZE	DRAWING NO.	REV.
				DIST				A	52A113000	01

SHEET 1
REV 6
52A105379AA
SIZE DRAWING NO. A

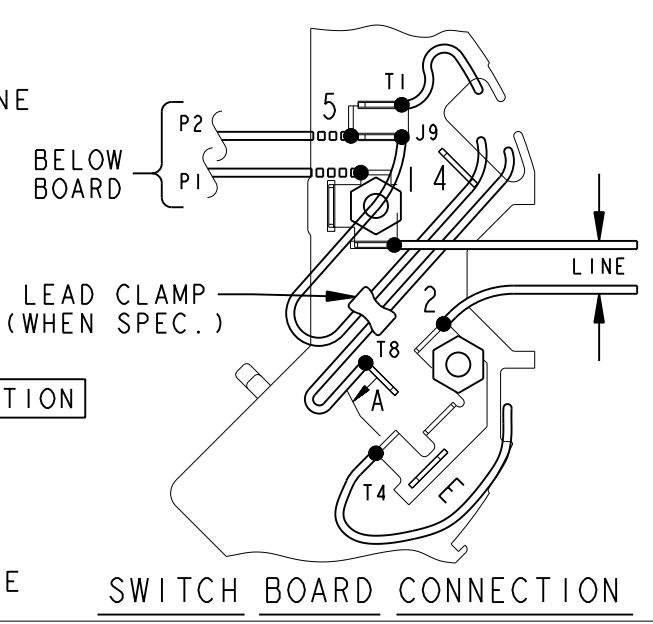
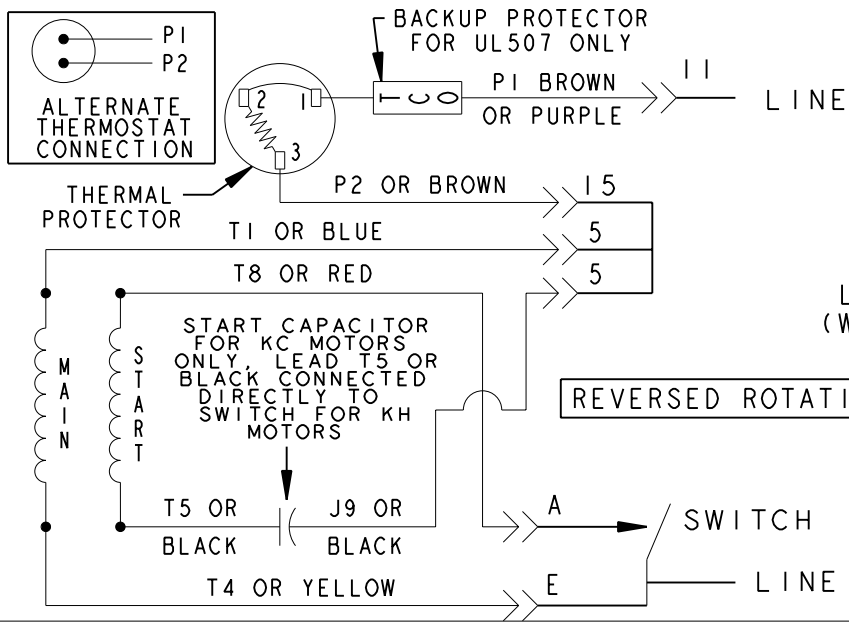
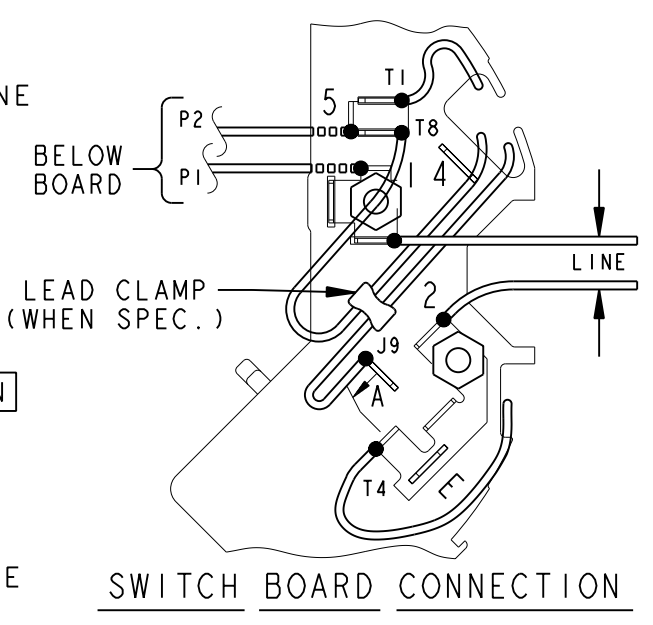
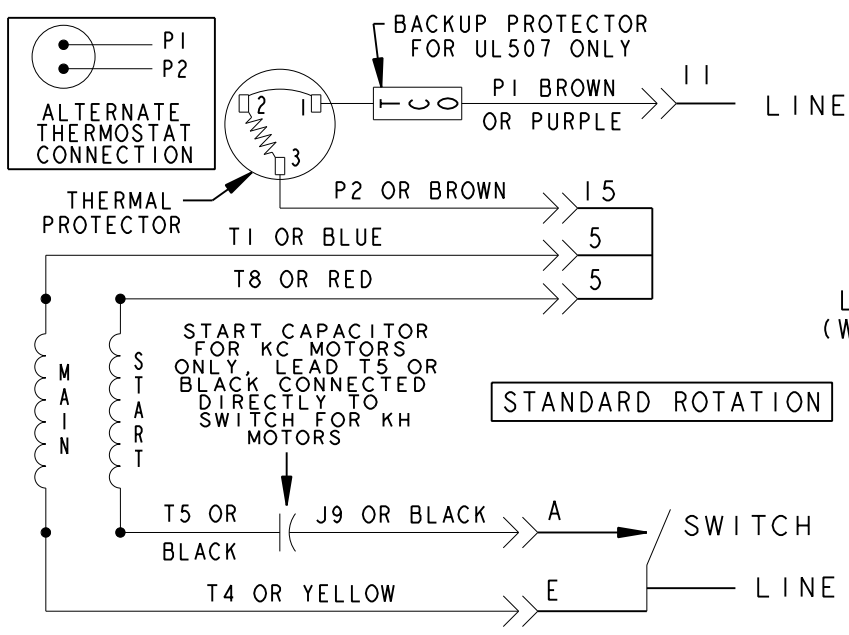
THIRD ANGLE PROJECTION



REVISIONS

REV.	DESCRIPTION	DATE	APPROVED
6	UPDATED FORMAT	12/01/05	MAM


EITHER ROTATION-SINGLE VOLTAGE-TYPE KC OR KH-WITH THERMAL PROTECTOR



NOTE #1 - TO REVERSE ROTATION INTERCHANGE RED (T8) AND BLACK (J9-KC OR T5-KH) LEADS.
NOTE #2 - WHEN MORE THAN ONE CAPACITOR IS USED CONNECT IN PARALLEL.

SWITCH (C) - 115D958AB REF. DIAG. - 121A851 CONN. LABEL - 52X332048

SIGNATURES		DATE
MODEL	M. D. PAPE	06/29/87
DETAIL	.	.
CHECKED	.	.
ENGRG	.	.
MFG	.	.
FOR ADDITIONAL INFO REFER TO:	QUALITY	.
APPLIED PRACTICES	ISSUED	M. D. P. 03/08/00
DIMENSIONS ARE IN INCHES ✓	SOLID MODEL: 52A105379AA	



REGAL-BELOIT CORPORATION

CONNECTION DIAGRAM

FMF - 30 FR SWITCH REDESIGN

SIZE DRAWING: A

SCALE: 1.000 REF. No: .

52A105379AA REV 6

SHEET 1 of 1