

PRODUCT INFORMATION PACKET



Model No: 5KH32GN140X
Catalog No: HG152
Fan and Blower Motor, 1/12 HP, 1 Ph, 60 Hz, 115 V, 48Z Frame, DP



Regal and LEESON are trademarks of Regal Rexnord Corporation or one of its affiliated companies.
©2025 Regal Rexnord Corporation, All Rights Reserved. MC017097E





Nameplate Specifications

Phase	1	Output HP	1/12 Hp
Output KW	0.06 kW	Voltage	115 V
Speed	1140 rpm	Service Factor	1.40
Frame	48Z	Enclosure	Drip Proof
Thermal Protection	Automatic	Ambient Temperature	40 °C
Frequency	60 Hz	Current	2.4 A
Power Factor	0	Duty	Continuous
Insulation Class	B	KVA Code	R
Drive End Bearing Size	6203	Opp Drive End Bearing Size	6203
UL	Recognized	CSA	Y
CE	N		

Technical Specifications

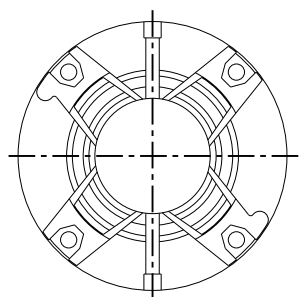
Electrical Type	Split Phase	Starting Method	Across The Line
Poles	6	Rotation	Selective Counterclockwise
Motor Orientation	Any	Drive End Bearing	Ball
Opp Drive End Bearing	Ball	Frame Material	Rolled Steel
Shaft Type	Special Extension	Shaft Diameter	0.500 in
Outline Drawing	52A101908P1	Connection Drawing	52A105379AA

This is an uncontrolled document once printed or downloaded and is subject to change without notice. Date Created:11/13/2025



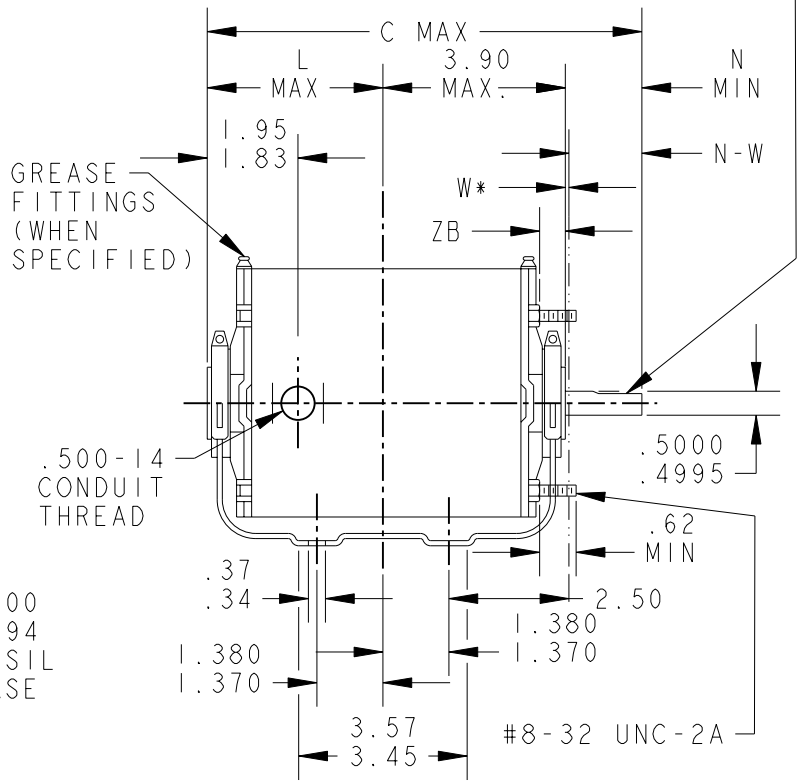
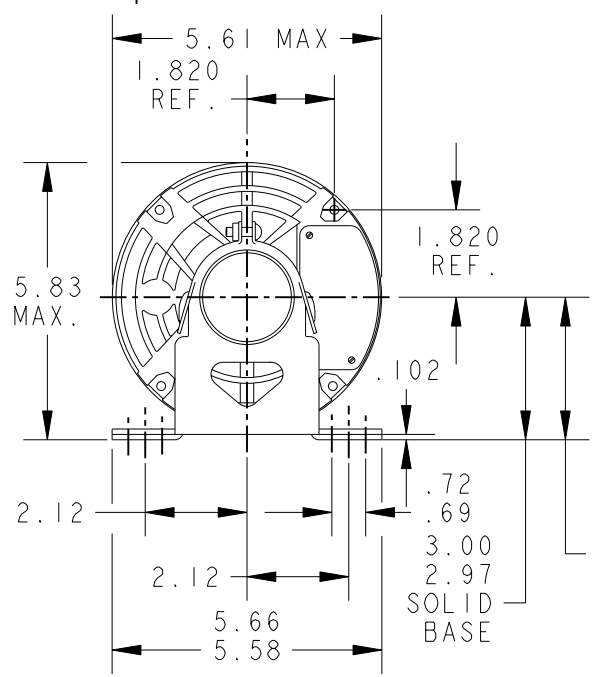
SHEET —	THIRD ANGLE PROJECTION	REVISIONS			
		REV.	DESCRIPTION	DATE	APPROVED
REV 8		8	CHG TO RBC FORMAT PER IS 05-1777	12/15/05	RAJKUMAR

52A101908



VIEW SHOWING PE VENTILATION OPENINGS


.05 X (K) LG. FULL FLAT



*W IS A CLEARANCE DUE TO VARIATION IN PARTS & ASSEMBLY.

6	KH	37	48Z	10.78	1.54	5.05	1.88	2.01/1.79	.55/.52
5	KH	36	48Z	10.38	1.54	4.65	1.88	2.01/1.79	.55/.52
4	KH	33	48Z	9.94	1.91	3.84	2.25	2.38/2.16	.55/.52
3	KH	35	48Z	9.95	1.54	4.22	1.88	2.01/1.79	.55/.52
2	KH	33	48Z	9.57	1.54	3.84	1.88	2.01/1.79	.55/.52
1	KH	32	48Z	9.32	1.54	3.59	1.88	2.01/1.79	.55/.52
PT	TYPE	GE SIZE	NEMA FR	C	K	L	N	N-W	ZB

FOR ADDITIONAL INFO REFER TO: APPLIED PRACTICES DIMENSIONS ARE IN INCHES ✓ MATERIAL	SIGNATURES	DATE
	MODEL	.
	DETAIL	JPK 01/15/76
	CHECKED	.
	ENGRG	.
QUALITY	.	
ISSUED	MDP 07/10/96	
SOLID MODEL: 52A101908		



REGAL-BELOIT CORPORATION

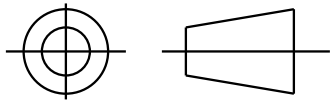
TITLE
OUTLINE
FORM N- GENERAL PURPOSE MOTOR- DRIP PROOF- SOLID OR RESIL BASE- BALL OR SLEEVE BEARING

SCALE: 0.250 REF. No: . SHEET 1 of 1



SHEET 6
REV 6
52A105379AA
SIZE DRAWING NO. A

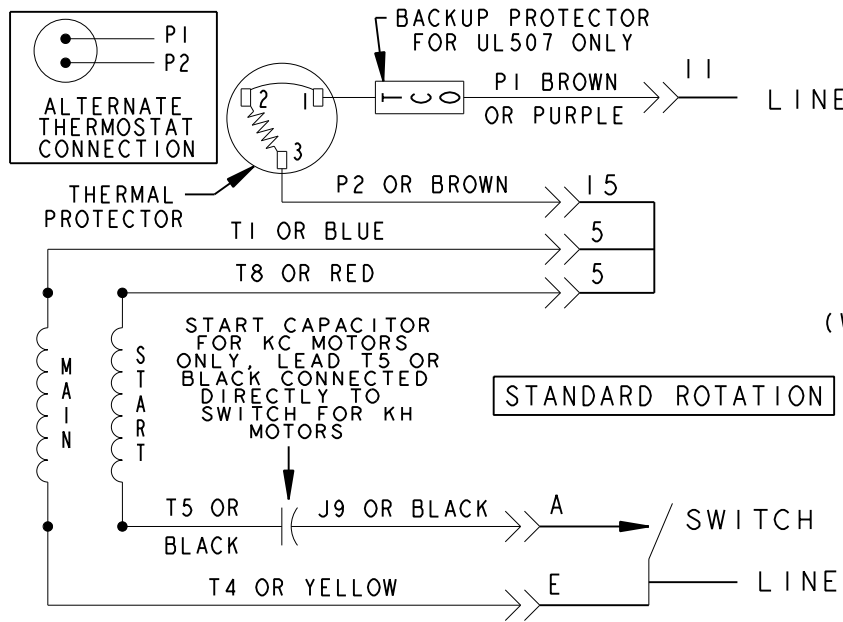
THIRD ANGLE PROJECTION



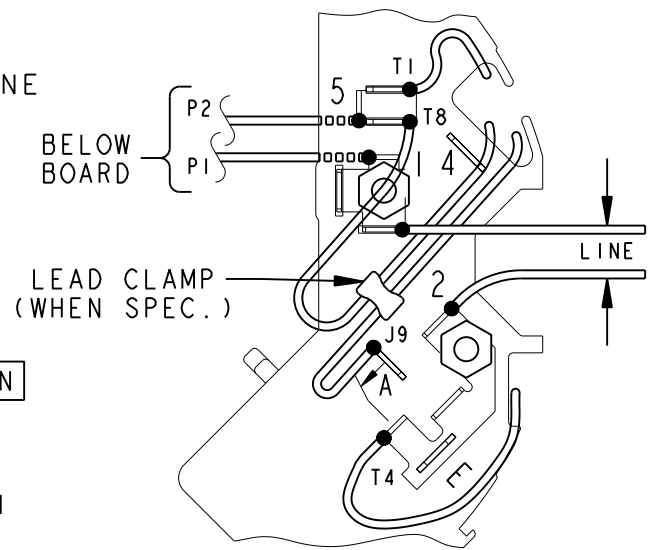
REVISIONS

REV.	DESCRIPTION	DATE	APPROVED
6	UPDATED FORMAT	12/01/05	MAM

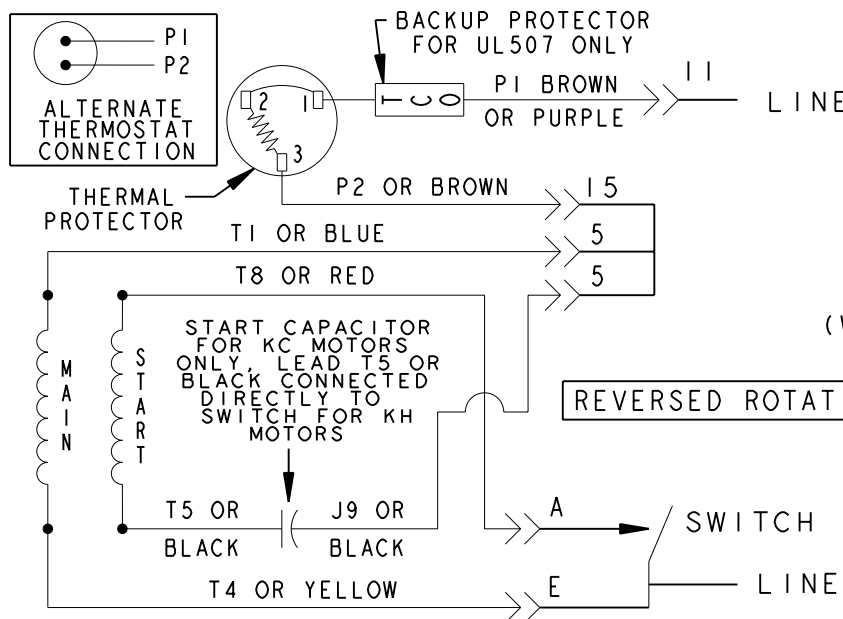
EITHER ROTATION-SINGLE VOLTAGE-TYPE KC OR KH-WITH THERMAL PROTECTOR



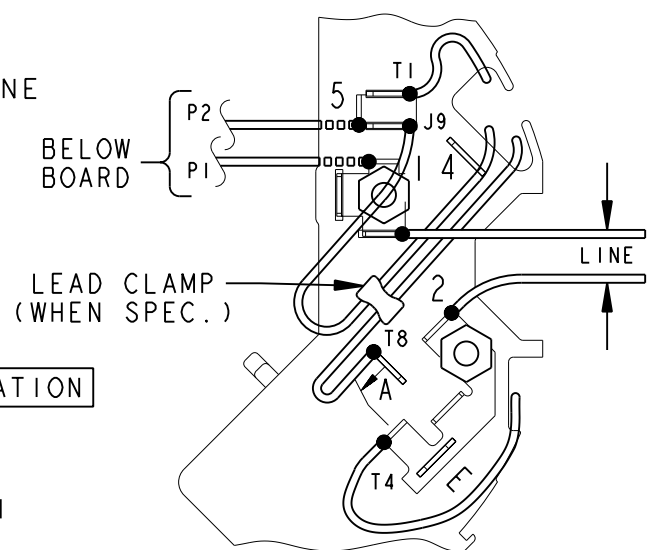
STANDARD ROTATION



SWITCH BOARD CONNECTION



REVERSED ROTATION




SWITCH BOARD CONNECTION

NOTE #1 - TO REVERSE ROTATION INTERCHANGE RED (T8) AND BLACK (J9-KC OR T5-KH) LEADS.
NOTE #2 - WHEN MORE THAN ONE CAPACITOR IS USED CONNECT IN PARALLEL.

SWITCH (C) - 115D958AB	REF. DIAG. - 121A851	CONN. LABEL - 52X332048
------------------------	----------------------	-------------------------

SIGNATURES		DATE
MODEL	M. D. PAPE	06/29/87
DETAIL	.	.
CHECKED	.	.
ENGRG	.	.
MFG	.	.
FOR ADDITIONAL INFO REFER TO:	QUALITY	.
APPLIED PRACTICES	ISSUED	M. D. P. 03/08/00
DIMENSIONS ARE IN INCHES ✓	SOLID MODEL: 52A105379AA	



REGAL-BELOIT CORPORATION

CONNECTION DIAGRAM

FMF - 30 FR SWITCH REDESIGN

SIZE: DRAWING A

SCALE: 1.000 REF. No: .

52A105379AA

REV 6

SHEET 1 of 1