

PRODUCT INFORMATION PACKET



Model No: 5KH36JNA769
Catalog No: H905
General Purpose Motor, 1/2 HP, 1 Ph, 60 Hz, 115 V, 56Z Frame, DP



Regal and LEESON are trademarks of Regal Rexnord Corporation or one of its affiliated companies.
©2025 Regal Rexnord Corporation, All Rights Reserved. MC017097E





Nameplate Specifications

Phase	1	Output HP	1/2 Hp
Output KW	0.37 kW	Voltage	115 V
Speed	1725 rpm	Service Factor	1.15
Frame	56Z	Enclosure	Drip Proof
Thermal Protection	No Protection	Ambient Temperature	40 °C
Frequency	60 Hz	Current	8.1 A
Power Factor	0	Duty	Continuous
Insulation Class	B	KVA Code	N
Drive End Bearing Size	6203	Opp Drive End Bearing Size	6203
UL	Recognized	CSA	Y
CE	N		

Technical Specifications

Electrical Type	Split Phase	Starting Method	Across The Line
Poles	4	Rotation	Selective Counterclockwise
Motor Orientation	Hor	Drive End Bearing	Ball
Opp Drive End Bearing	Ball	Frame Material	Rolled Steel
Shaft Type	Special Extension	Shaft Diameter	0.625 in
Connection Drawing	52A105377AA	Outline Drawing	52A109568P1

This is an uncontrolled document once printed or downloaded and is subject to change without notice. Date Created:11/13/2025

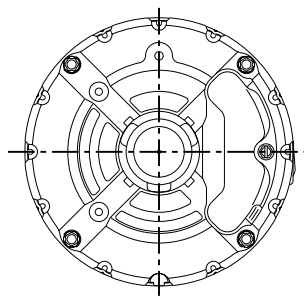
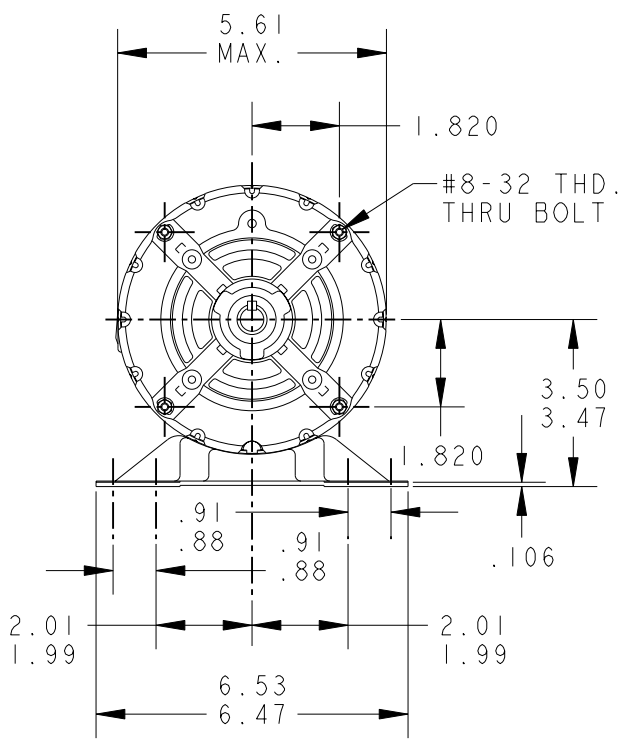
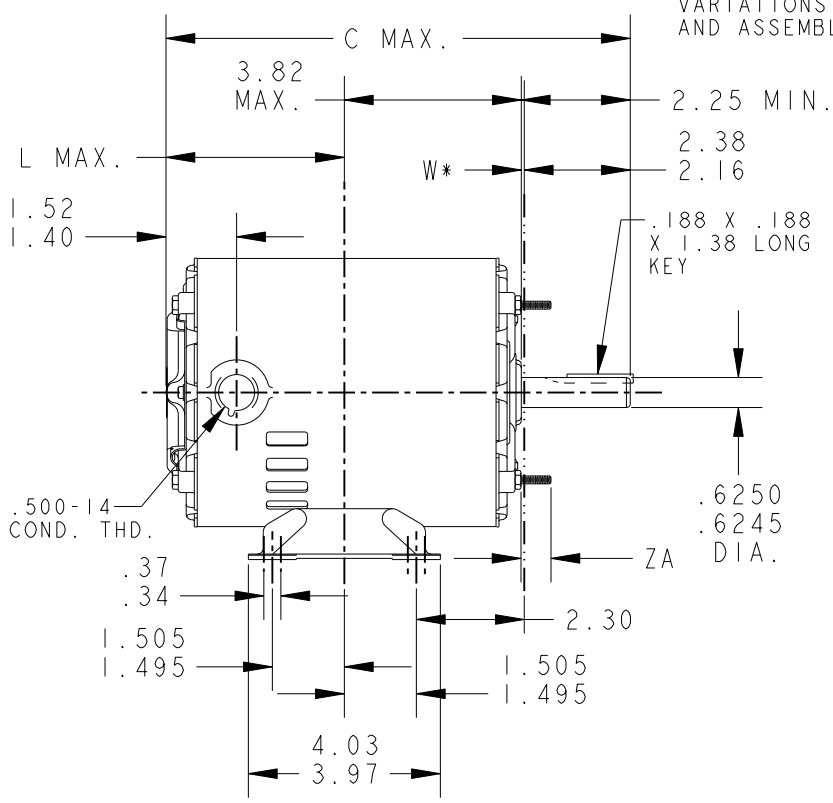


SHEET —	THIRD ANGLE PROJECTION	REVISIONS			
		REV.	DESCRIPTION	DATE	APPROVED
REV 2		1	ADDED PART #2.	08/08/96	M.D.PAPE
		2	CHG TO RBC FORMAT PER ISO5-1777	03/17/06	SUDHA

52A109568

SIZE DRAWING NO.
A

W* IS A VARIABLE CLEARANCE DUE TO VARIATIONS IN PARTS AND ASSEMBLY.



VIEW SHOWING O.P.E. ENDSHIELD

2	KH	37	56Z	11.29	4.13	0.625
1	KH	36	56Z	10.89	3.73	0.625
P	TYPE	GE SIZE	NEMA FR	C	L	ZA

FOR ADDITIONAL INFO REFER TO: APPLIED PRACTICES DIMENSIONS ARE IN INCHES ✓ MATERIAL	SIGNATURES		DATE	<p>REGAL-BELOIT CORPORATION</p> <p>TITLE OUTLINE</p> <p>FORM N GENERAL PURPOSE MOTOR - DP - BALL BEARING - EXT. CLAMP SCREWS - WELDED BASE</p>	SIZE DRAWING A	52A109568	REV 2	
	MODEL	M.D.PAPE	05/08/95					
	DETAIL	.	.					
	CHECKED	.	.					
	ENGRG	.	.					
MFG	.	.						
QUALITY	.	.	ISSUED	M.D.PAPE	05/08/95	SCALE: 0.250	REF. No: .	SHEET 1 of 1

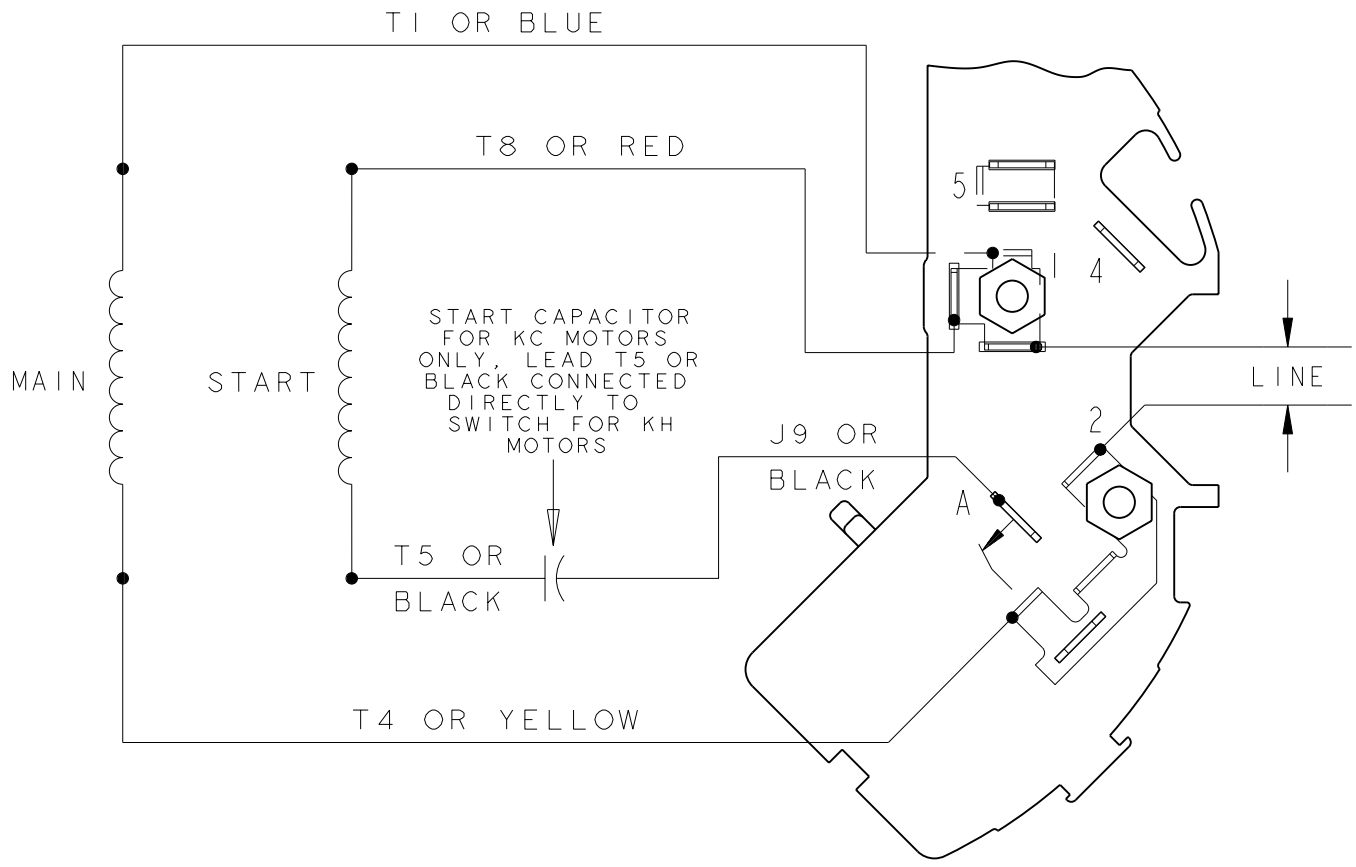


SHEET 1	THIRD ANGLE PROJECTION		REVISIONS		
			REV. 1	DESCRIPTION UPDATED FORMAT	DATE 11/10/05

52A105377AA 1

SIZE DRAWING NO. A

EITHER ROTATION - SINGLE VOLTAGE
TYPE KC, OR KH



NOTE #1 - TO REVERSE ROTATION INTERCHANGE BLACK (T5-KH OR J9-KC) AND RED (T8) LEADS.

NOTE #2 - WHEN MORE THAN ONE CAPACITOR IS USED CONNECT IN PARALLEL.

REF. DIAG. - 121A850		SWITCH (C) - 115D958AB	
CONNECTION LABEL - 52X332047			
SIGNATURES	DATE	REGAL-BELOIT CORPORATION TITLE CONNECTION DIAGRAM FMF: 30 FRAME SWITCH REDESIGN	
MODEL M.D. PAPE	06/29/87		
DETAIL	.		
CHECKED	.		
ENGRG	.		
MFG	.		
FOR ADDITIONAL INFO REFER TO:	QUALITY	SIZE DRAWING	REV
APPLIED PRACTICES	ISSUED M.D.P.	A	1
DIMENSIONS ARE IN INCHES ✓	06/29/87	52A105377AA	
MATERIAL	SOLID MODEL: 52A105377AA	SCALE: 1.000	SHEET 1 of 1