

PRODUCT INFORMATION PACKET



Model No: 5KH36PN106

Catalog No: H203

General Purpose Farm Duty Motor, 1/4-1/12 HP, 1 Ph, 60 Hz, 115 V, 48 Frame, TENV



Regal and LEESON are trademarks of Regal Rexnord Corporation or one of its affiliated companies.

©2025 Regal Rexnord Corporation, All Rights Reserved. MC017097E





Nameplate Specifications

Phase	1	Output HP	1/4-1/12 Hp
Output KW	0.19 kW	Voltage	115 V
Speed	1725/1140 rpm	Service Factor	1.0
Frame	48	Enclosure	Totally Enclosed Non Ventilated
Thermal Protection	No Protection	Ambient Temperature	40 °C
Frequency	60 Hz	Current	4.2/2.7 A
Power Factor	0	Duty	Continuous
Insulation Class	B	KVA Code	M
Drive End Bearing Size	6203	Opp Drive End Bearing Size	6203
UL	Recognized	CSA	Y
CE	N		

Technical Specifications

Electrical Type	Split Phase	Starting Method	Across The Line
Poles	4	Rotation	Selective Counterclockwise
Motor Orientation	Any	Drive End Bearing	Ball
Opp Drive End Bearing	Ball	Frame Material	Rolled Steel
Shaft Type	NEMA 48	Shaft Diameter	0.500 in
Connection Drawing	52A106478AA	Outline Drawing	52A101954P4

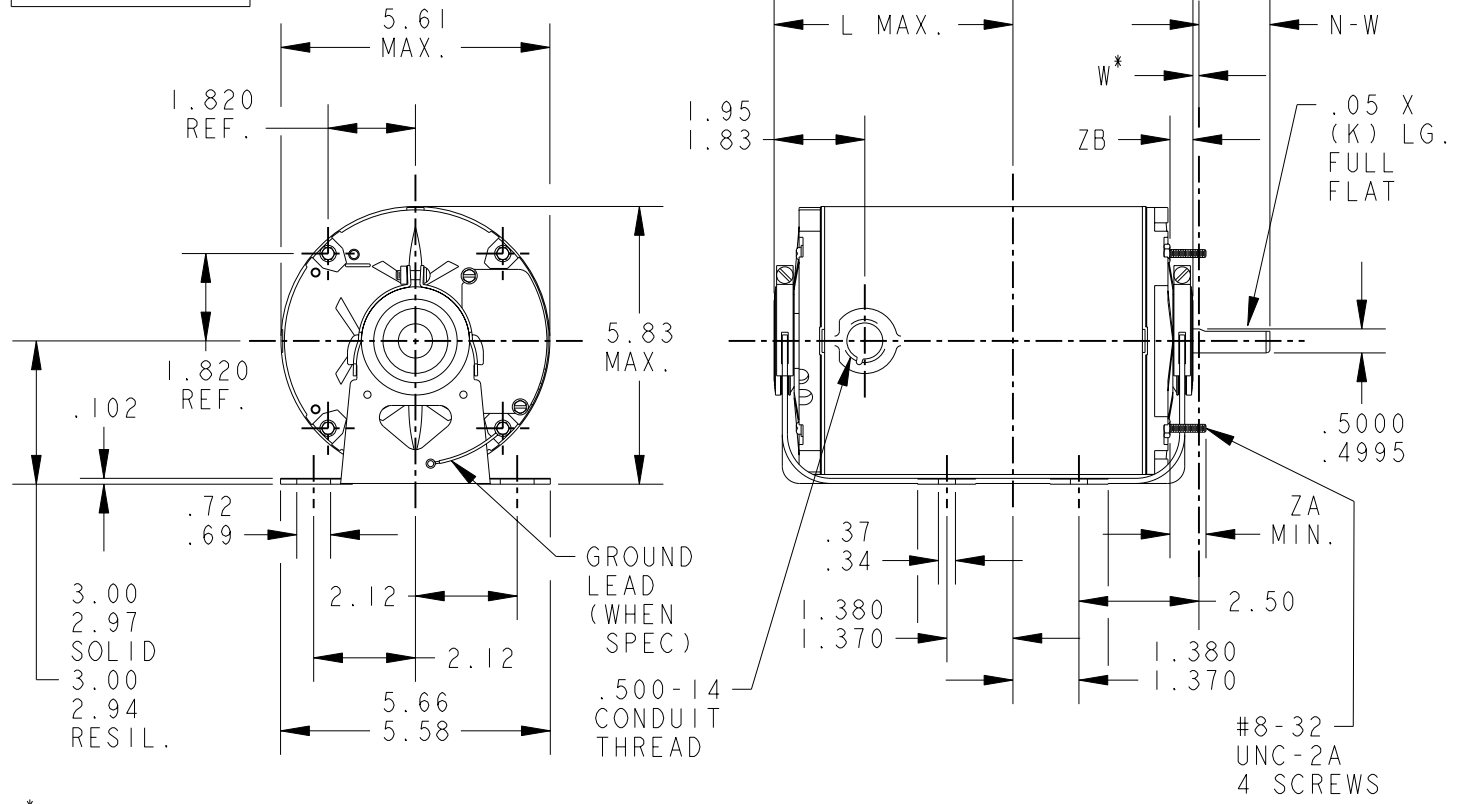
This is an uncontrolled document once printed or downloaded and is subject to change without notice. Date Created:11/13/2025



SHEET —	THIRD ANGLE PROJECTION	REVISIONS			
		REV.	DESCRIPTION	DATE	APPROVED
		9	CHG TO RBC FORMAT AS PER IS05-1777	12/21/05	GOVARDAN
REV 52A101954 10		10	UPDATED PER IS07-0218	2/15/07	GOVARDAN

SIZE DRAWING NO.
A

CONTINUED ON
52A106909



W* IS A CLEARANCE DUE TO VARIATION IN PARTS AND ASSEMBLY.

7	K	36	48Z	10.50	1.66	4.65	2.00	2.13/1.91	.55/.52	.62
6	KH	32	48	8.94	1.16	3.59	1.50	1.63/1.41	.55/.52	1.31
5	KH	37	48	10.40	1.16	5.05	1.50	1.63/1.41	.55/.52	.62
4	KH	36	48	10.00	1.16	4.65	1.50	1.63/1.41	.55/.52	.62
3	KH	35	48	9.57	1.16	4.22	1.50	1.63/1.41	.55/.52	.62
2	KH	33	48	9.19	1.16	3.84	1.50	1.63/1.41	.55/.52	.62
1	KH	32	48	8.94	1.16	3.59	1.50	1.63/1.41	.55/.52	.62
P	TYPE	RBC SIZE	NEMA FR	C	K	L	N	N-W	ZB	ZA

FOR ADDITIONAL INFO REFER TO: APPLIED PRACTICES DIMENSIONS ARE IN INCHES ✓ MATERIAL	SIGNATURES		DATE
	MODEL	F.P.K	10/18/76
	DETAIL	.	.
	CHECKED	.	.
	ENGRG	.	.
	MFG	.	.
QUALITY	.	.	
ISSUED	MDP	05/24/96	
SOLID MODEL: 52A101954			

REGAL-BELOIT CORPORATION

TITLE
OUTLINE

**FORM N - GENERAL PURPOSE MOTOR - TENV -
SOLID OR RESIL BASE - BALL OR SLEEVE BEARING**

SIZE DRAWING
A

SCALE: 1.000 REF. No: . SHEET 1 of 1

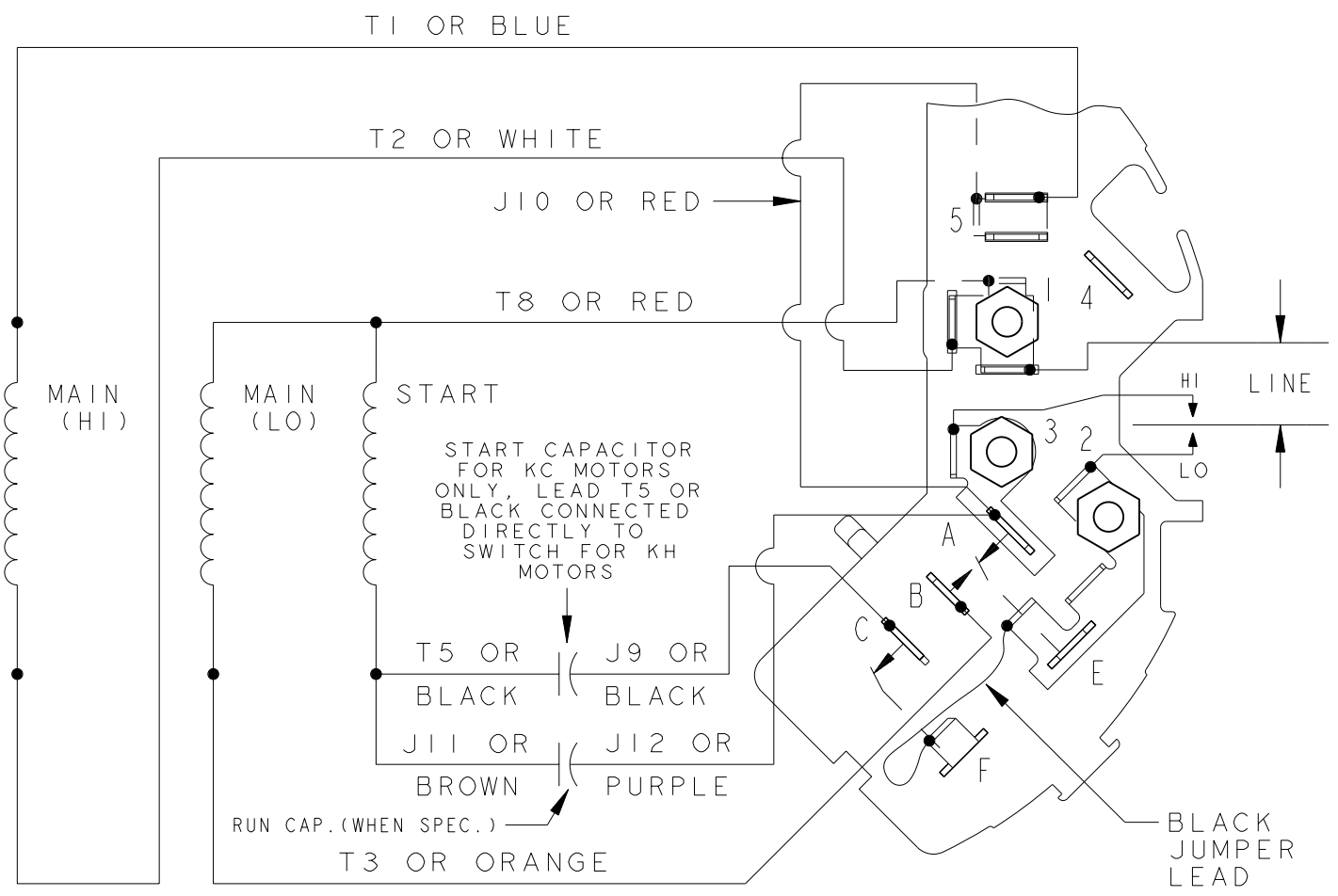




SHEET —	THIRD ANGLE PROJECTION	REVISIONS			
		REV.	DESCRIPTION	DATE	APPROVED
REV 5		5	UPDATED TO RBC FORMAT	01/09/06	MAM

SIZE DRAWING NO. 52A106478AA A

EITHER ROTATION
SINGLE VOLTAGE
TYPE KC, KCR, OR KH
2 SPEED
POLE CHANGING



NOTE #1 - TO REVERSE ROTATION INTERCHANGE BLUE (T1) AND WHITE (T2) LEADS.

NOTE #2 - WHEN MORE THAN ONE CAPACITOR IS USED CONNECT IN PARALLEL.

SWITCH (D) - 115D958BA
REF. DIAG. - 121A865
CONNECTION LABEL - 52X332073

FOR ADDITIONAL INFO REFER TO: APPLIED PRACTICES DIMENSIONS ARE IN INCHES ✓ MATERIAL	SIGNATURES	DATE
	MODEL M.D.P.	12/04/87
	DETAIL	.
	CHECKED	.
	ENGRG	.
	MFG	.
QUALITY	.	
ISSUED	M.D.P.	12/04/87
SOLID MODEL: 52A106478AA		

REGAL-BELOIT CORPORATION

TITLE CONNECTION DIAGRAM

FMF: 5KH36KN114G

SIZE DRAWING: A

SCALE: 1.000 REF. No: .

SHEET 1 of 1

