

PRODUCT INFORMATION PACKET



Model No: 5KH39QN5550X
Catalog No: 4404
Other Purpose Motor, 1/8 HP, 1 Ph, 60 Hz, 115 V, 48Y Frame, DP



Regal and LEESON are trademarks of Regal Rexnord Corporation or one of its affiliated companies.
©2025 Regal Rexnord Corporation, All Rights Reserved. MC017097E





Nameplate Specifications

Phase	1	Output HP	1/8 Hp
Output KW	0.10 kW	Voltage	115 V
Speed	1725 rpm	Service Factor	1.4
Frame	48Y	Enclosure	Drip Proof
Thermal Protection	Automatic	Ambient Temperature	40 °C
Frequency	60 Hz	Current	2.6 A
Power Factor	0	Duty	Continuous
Insulation Class	B	KVA Code	U
Drive End Bearing Size	6203	Opp Drive End Bearing Size	6203
UL	Recognized	CSA	Y
CE	N		

Technical Specifications

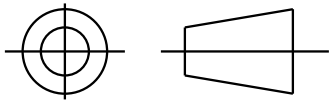
Electrical Type	Split Phase	Starting Method	Across The Line
Poles	4	Rotation	Counterclockwise
Motor Orientation	Any	Drive End Bearing	Ball
Opp Drive End Bearing	Ball	Frame Material	Rolled Steel
Shaft Type	Special Extension	Shaft Diameter	0.500 in
Outline Drawing	52A107022P1	Connection Drawing	52A105380AA

This is an uncontrolled document once printed or downloaded and is subject to change without notice. Date Created:11/13/2025



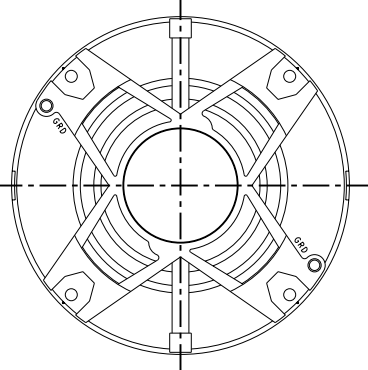
SHEET 1
REV 5
52A107022
SIZE DRAWING NO. A

THIRD ANGLE PROJECTION

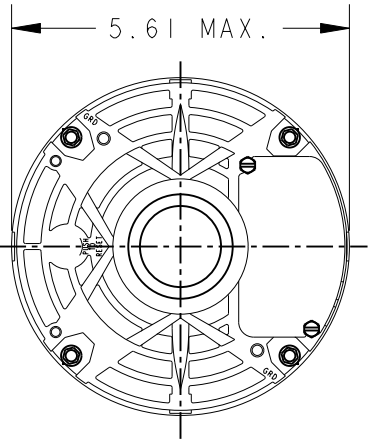


REVISIONS

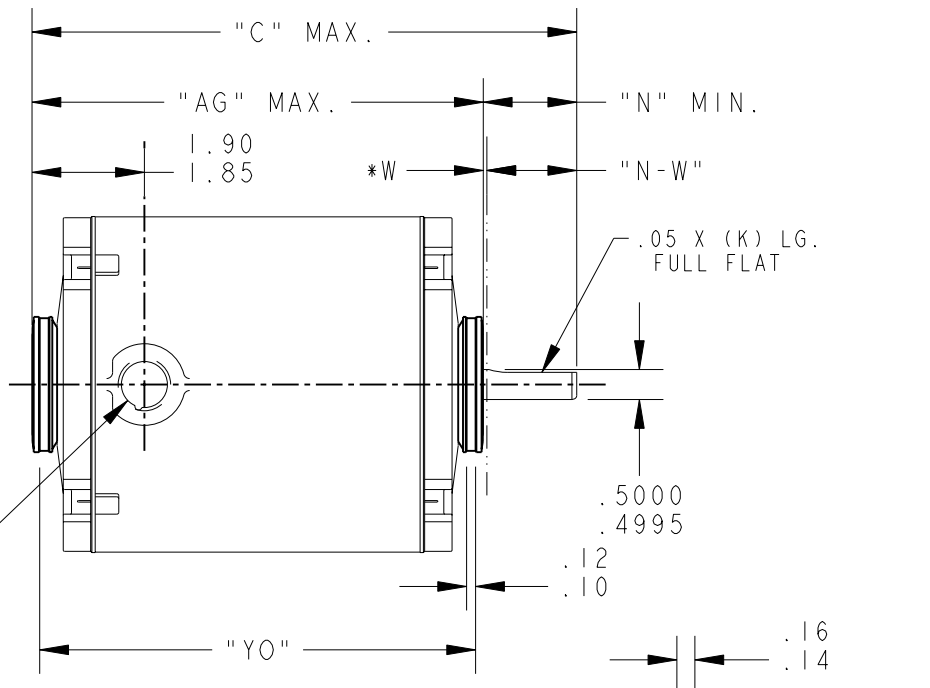
REV.	DESCRIPTION	DATE	APPROVED
3	CHANGES PER TI95-21,651.	02/16/95	M.D.PAPE
4	ADDED PART #4.	05/08/04	DURGA
5	CHG TO RBC FORMAT PER ISO5-1777	02/16/06	SUDHA



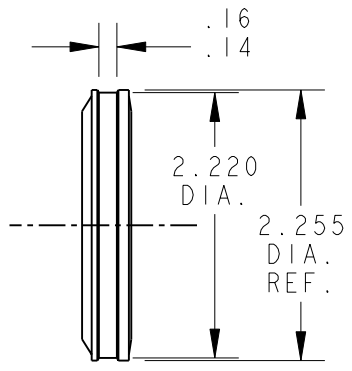
VIEW SHOWING P.E. VENTILATION OPENINGS



*W IS A VARIABLE CLEARANCE DUE TO VARIATIONS IN PARTS AND ASSEMBLY



4	KH	33	48Y	9.18	7.56	7.33 7.12	1.50	1.16	1.63/1.41	5.41
3	KH	37	48Y	10.39	8.77	8.54 8.33	1.50	1.16	1.63/1.41	6.62
2	KH	38	48Y	12.60	9.37	8.89 8.68	3.11	2.80	3.04/3.02	7.22
1	KH	32	48Y	8.93	7.31	7.08 6.87	1.50	1.16	1.63/1.41	5.16
P	TYPE	GE SIZE	NEMA FR	"C"	"AG"	"YO"	"N"	"K"	"N-W"	SHL. LGTH. REF.



SIGNATURES		DATE
MODEL	MAM	03/17/90
DETAIL	.	.
CHECKED	.	.
ENGRG	.	.
MFG	.	.
FOR ADDITIONAL INFO REFER TO:	QUALITY	.
APPLIED PRACTICES	ISSUED	MAM 03/17/90
DIMENSIONS ARE IN INCHES ✓	SOLID MODEL: 52A107022	



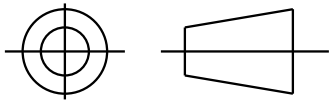
REGAL-BELOIT CORPORATION

TITLE		OUTLINE		
		DRIP PROOF - RESIL. RING - SLV./BALL BRG.		
		5KH39QN5550X		
SIZE	DRAWING	52A107022		REV 5
A		SCALE: 0.313		REF. No: .
				SHEET 1 of 1



SHEET 1
REV 10
52A105380AA
SIZE DRAWING NO. A

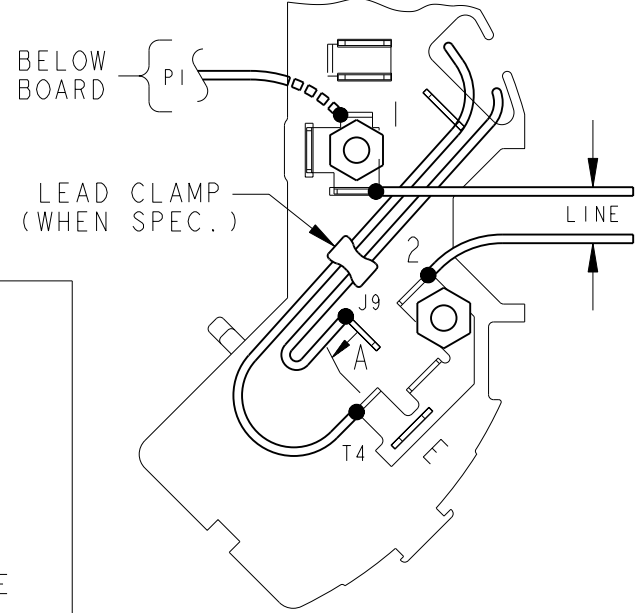
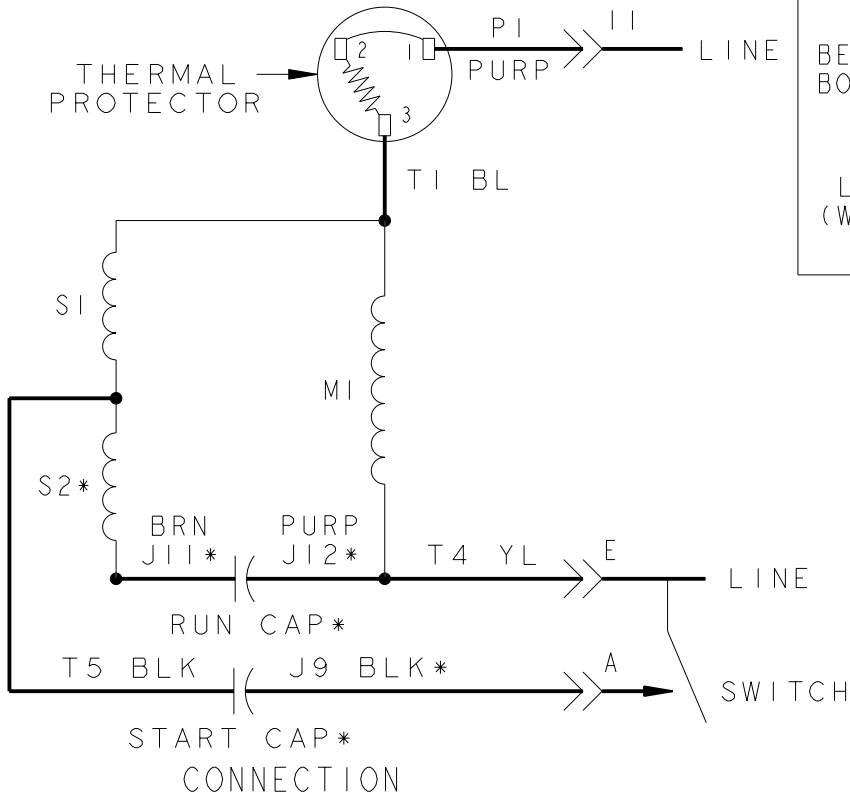
THIRD ANGLE PROJECTION



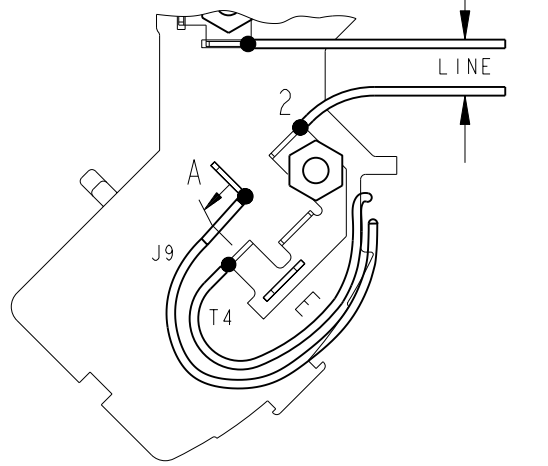
REVISIONS

REV.	DESCRIPTION	DATE	APPROVED
10	ADDED "KHC" PER DS09-1133	07/14/09	MADHU

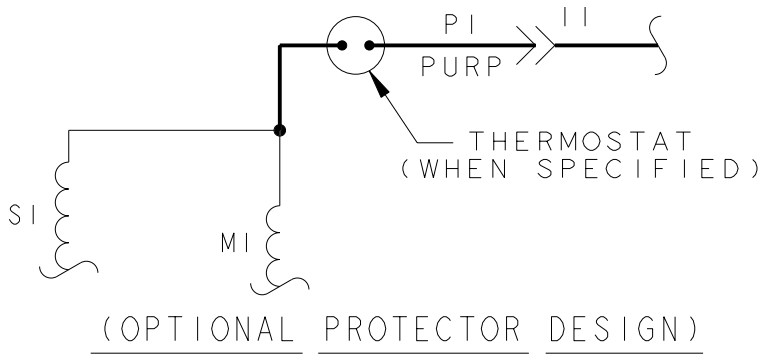
SET ROTATION, SINGLE VOLTAGE, TYPE KC, KCR, KH & KHC WITH THERMAL PROTECTION



SWITCH BOARD CONNECTION



OPTIONAL BOARD CONNECTION




(OPTIONAL PROTECTOR DESIGN)

NOTE #1 - START CAP & J9 WHEN SPECIFIED (*). IF NO CAPACITOR (KH), CONNECT T5 DIRECTLY TO SWITCH (A). WHEN MORE THAN ONE CAPACITOR IS USED, CONNECT IN PARALLEL.

NOTE #2 - EXTRA START (S2), RUN CAP, J11, & J12 WHEN SPECIFIED.

SWITCH (C) - 115D958AB REF. DIAG. - NONE CONN. LABEL - 52X332046

SIGNATURES		DATE
MODEL	M. D. PAPE	06/29/87
DETAIL	.	.
CHECKED	.	.
ENGRG	.	.
MFG	.	.
FOR ADDITIONAL INFO REFER TO:	QUALITY	.
APPLIED PRACTICES	ISSUED	M. D. P. 11/14/00
DIMENSIONS ARE IN INCHES ✓	SOLID MODEL: 52A105380AA	



REGAL-BELOIT CORPORATION

TITLE **CONNECTION DIAGRAM**

FMF: 30 FRAME SWITCH REDESIGN

SIZE DRAWING **52A105380AA** REV **10**

SCALE: 1.000 REF. No: . SHEET 1 of 1