

PRODUCT INFORMATION PACKET



Model No: 5KH39QN9508Y

Catalog No: HG646

Auger Drive Motor, 1/3 HP, 1 Ph, 60 Hz, 115/230 V, 48NY Frame, TENV



Regal and LEESON are trademarks of Regal Rexnord Corporation or one of its affiliated companies.
©2025 Regal Rexnord Corporation, All Rights Reserved. MC017097E





Nameplate Specifications

Phase	1	Output HP	1/3 Hp
Output KW	0.25 kW	Voltage	115/230 V
Speed	1725 rpm	Service Factor	1
Frame	48NY	Enclosure	Totally Enclosed Non Ventilated
Thermal Protection	Manual	Ambient Temperature	40 °C
Frequency	60 Hz	Current	5.3/2.7 A
Power Factor	0	Duty	Continuous
Insulation Class	B	KVA Code	R
Drive End Bearing Size	6203	Opp Drive End Bearing Size	6203
UL	Recognized	CSA	Y
CE	N		

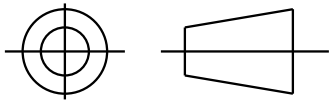
Technical Specifications

Electrical Type	Split Phase	Starting Method	Across The Line
Poles	4	Rotation	Selective Counterclockwise
Motor Orientation	Any	Drive End Bearing	Ball
Opp Drive End Bearing	Ball	Frame Material	Rolled Steel
Shaft Type	Special Extension	Shaft Diameter	0.500 in
Connection Drawing	52A105383AA	Outline Drawing	52A106920P1

This is an uncontrolled document once printed or downloaded and is subject to change without notice. Date Created:11/13/2025

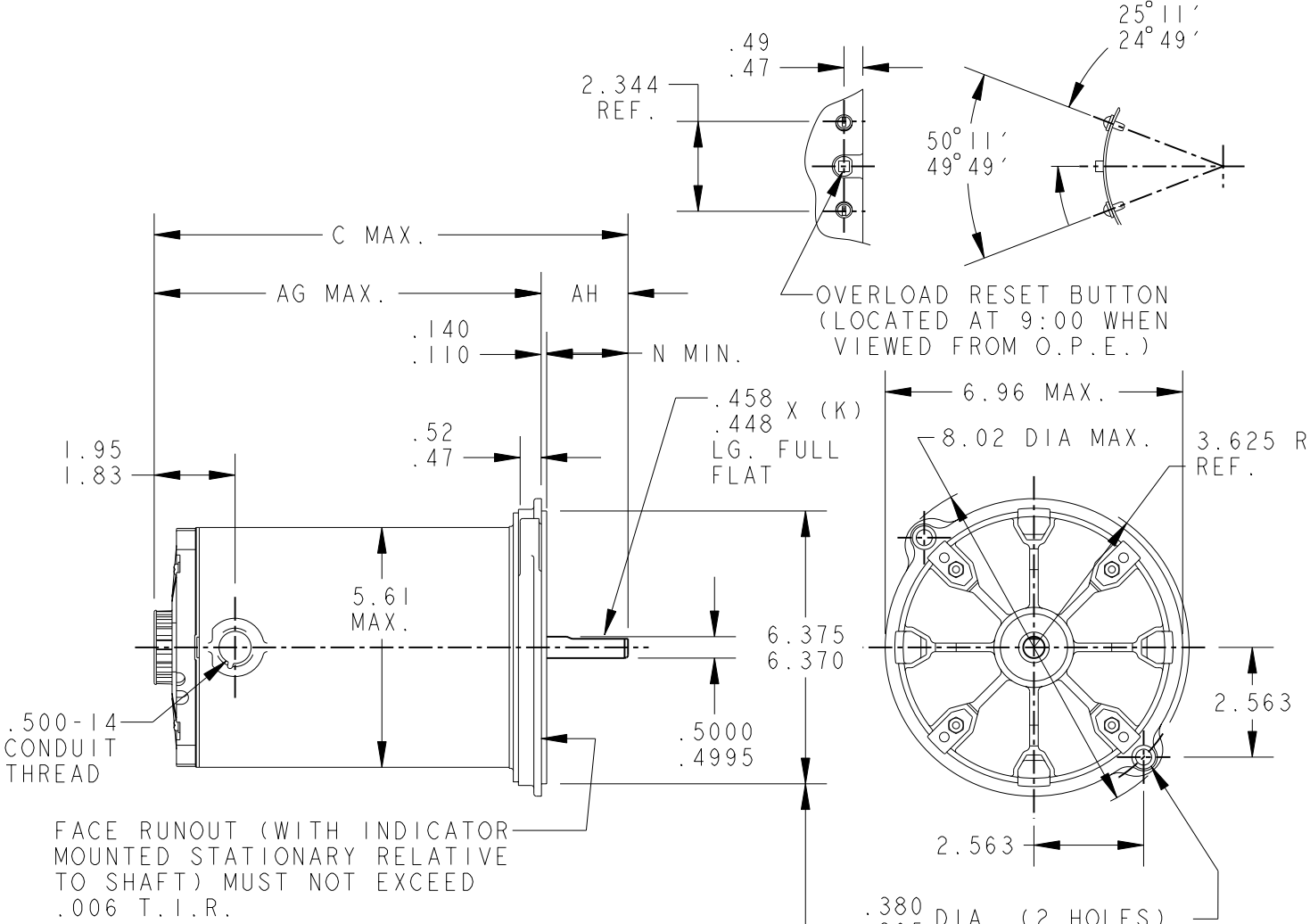
SHEET 1
REV 10
52A106920
SIZE DRAWING NO. A

THIRD ANGLE PROJECTION



REVISIONS

REV.	DESCRIPTION	DATE	APPROVED
7	UPDATED PE END SHIELD PER T198-23554	06/05/98	M.D.PAPE
8	CHANGES PER T198-24008A	08/18/98	M.D.PAPE
9	.49/.47 WAS .45/.43 T198-24.130.	10/08/98	M.D.PAPE
10	CHG. MADE AS PER IS05-2714	10/26/05	GOVARDAN



FACE RUNOUT (WITH INDICATOR MOUNTED STATIONARY RELATIVE TO SHAFT) MUST NOT EXCEED .006 T.I.R.

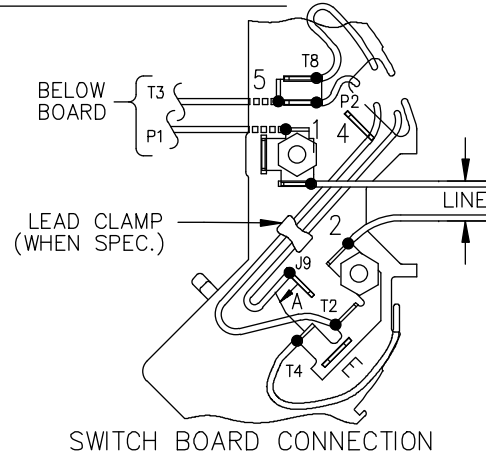
ECCENTRICITY OF THIS SURFACE (WITH INDICATOR MOUNTED STATIONARY RELATIVE TO SHAFT) MUST NOT EXCEED .006 T.I.R.

THESE HOLES FIT A GAGE HAVING A RABBET 6.3775 DIA. AND 2 PINS .3309 DIA. LOCATED ON THE BASIC HOLE POSITIONS.

2	KH	36	48N	10.07	8.05	2.09/1.97	1.84	1.31
1	KH	38	48N	11.07	9.05	2.09/1.97	1.84	1.31
P	TYPE	GE SIZE	NEMA FR	C	AG	AH	N	K

SIGNATURES		DATE		REGAL-BELOIT CORPORATION				
MODEL	M.A.M	02/27/89		TITLE OUTLINE FORM N - SPECIAL PURPOSE MOTOR - TWO LUG FLANGE MOUNTED - SLEEVE OR BALL BEARING				
DETAIL	.	.						
CHECKED	.	.						
ENGRG	.	.						
FOR ADDITIONAL INFO REFER TO:	MFG	.	SIZE	DRAWING		52A106920		REV
APPLIED PRACTICES	QUALITY	.	A	A				10
DIMENSIONS ARE IN INCHES	ISSUED	C.C.P	03/04/95		SCALE: 1.000		REF. No: .	SHEET 1 of 1
MATERIAL	SOLID MODEL: 52A106920							

EITHER ROTATION, DUAL VOLTAGE, TYPE KC OR KH, WITH THERMAL PROTECTION



NOTE #1 - START CAP & J9 WHEN SPECIFIED (*). IF NO CAPACITOR (KH), CONNECT T5 DIRECTLY TO SWITCH (A). WHEN MORE THAN ONE CAPACITOR IS USED, CONNECT IN PARALLEL.

NOTE #2 - TO REVERSE ROTATION, INTER CHANGE RD(T8) AND BLK(J9-KC OR T5-KH) LEADS.

SWITCH REF. - 115D958AB	CONNECTION LABEL	CCW ROTATION: NP52X332051AA
		CW ROTATION: NP52X332051AC

NO.	REVISION	BY & DATE	CHK	TOLERANCES UNLESS SPECIFIED		FINISH	DRAWN M.D.P 06/29/87		
				DEC.	INCHES				
				.X	±0.1	REGAL-BELOIT CORPORATION TITLE CONNECTION DIAGRAM 30 FRAME SWITCH REDESIGN	CHK		
				.XX	±0.02		SCALE 1=1		
5	ADDED CONNECTION LABEL PER ECO-0030779	UD 02/06/13	PKG	.XXX	±0.005	MAT'L.	APPD M.D.P 03/26/96		
4	UPDATED PER ISO7-0150	MD 01/23/07		.XXXX	±0.0005		REF		
				ANG	±1.0	PREV			
THIS DRAWING IN DESIGN AND DETAIL IS OUR PROPERTY AND MUST NOT BE USED EXCEPT IN CONNECTION WITH OUR WORK. ALL RIGHTS OF DESIGN AND INVENTION ARE RESERVED. THIS IS AN ELECTRONICALLY GENERATED DOCUMENT - DO NOT SCALE THIS PRINT				RFP	CAD FILE	52A105383AA	SIZE A	DRAWING NO. 52A105383AA	REV. 5
				DIST					