

# PRODUCT INFORMATION PACKET



Model No: 5KH39QN9538

Catalog No: 4354

General Purpose Motor, 1/4 HP, 1 Ph, 60 Hz, 115 V, 48 Frame, DP



Regal and LEESON are trademarks of Regal Rexnord Corporation or one of its affiliated companies.  
©2025 Regal Rexnord Corporation, All Rights Reserved. MC017097E





### Nameplate Specifications

Phase	1	Output HP	1/4 Hp
Output KW	0.19 kW	Voltage	115 V
Speed	1725 rpm	Service Factor	1.35
Frame	48	Enclosure	Drip Proof
Thermal Protection	No Protection	Ambient Temperature	40 °C
Frequency	60 Hz	Current	5.1 A
Power Factor	0	Duty	Continuous
Insulation Class	B	KVA Code	R
Drive End Bearing Size	6203	Opp Drive End Bearing Size	6203
UL	Recognized	CSA	Y
CE	N		

### Technical Specifications

Electrical Type	Split Phase	Starting Method	Across The Line
Poles	4	Rotation	Selective Counterclockwise
Motor Orientation	Any	Drive End Bearing	Ball
Opp Drive End Bearing	Ball	Frame Material	Rolled Steel
Shaft Type	NEMA 48	Shaft Diameter	0.500 in
Outline Drawing	52A106959P1	Connection Drawing	52A105377AA

This is an uncontrolled document once printed or downloaded and is subject to change without notice. Date Created:11/13/2025

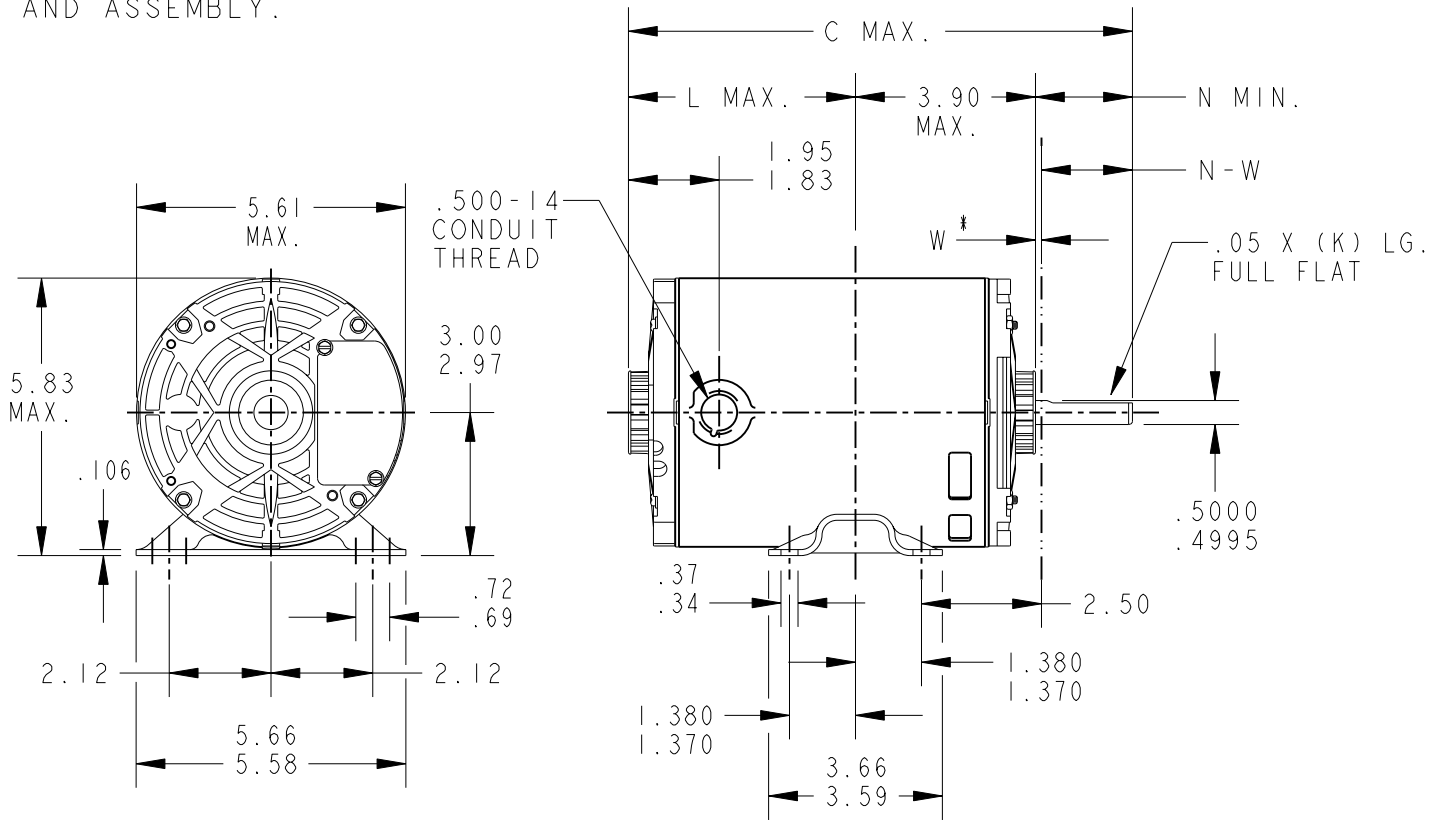


SHEET —	THIRD ANGLE PROJECTION	REVISIONS			
		REV.	DESCRIPTION	DATE	APPROVED
REV 4		3	REDRAWN & ADDED P7	09/09/93	MAM
		4	CHG TO RBC FORMAT PER ISO5-1777	02/15/06	SUDHA

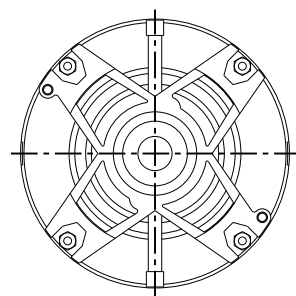
SIZE  
DRAWING NO.  
A

52A106959

W\* IS A CLEARANCE DUE TO VARIATION IN PARTS AND ASSEMBLY.



7	KH	33	48	9.00	1.34	3.84	1.88	2.01/1.79
6	KH	32	48	8.62	1.16	3.27	1.50	1.63/1.41
5	K KH	37	48	10.40	1.16	5.05	1.50	1.63/1.41
4	K KH	36	48	10.00	1.16	4.65	1.50	1.63/1.41
3	K KH	35	48	9.57	1.16	4.22	1.50	1.63/1.41
2	K KH	33	48	9.19	1.16	3.84	1.50	1.63/1.41
1	K KH	32	48	8.94	1.16	3.59	1.50	1.63/1.41
P	TYPE	GE SIZE	NEMA FR	C	K	L	N	N-W



VIEW SHOWING P.E. VENTILATION OPENINGS

FOR ADDITIONAL INFO REFER TO: APPLIED PRACTICES DIMENSIONS ARE IN INCHES ✓ MATERIAL	SIGNATURES	DATE	REGAL-BELOIT CORPORATION  <b>OUTLINE</b> <b>FORM N - GENERAL PURPOSE MOTOR - DRIP PROOF - WELDED BASE - BALL OR SLEEVE BEARING</b>	TITLE SCALE: 0.250 REF. No: . SHEET 1 of 1	
	MODEL	MAM			06/15/89
	DETAIL	.			.
	CHECKED	.			.
	ENGRG	.			.
MFG	.	.	SIZE	DRAWING	
QUALITY	.	.	A		
ISSUED	MAM	09/09/93	52A106959 REV 4		

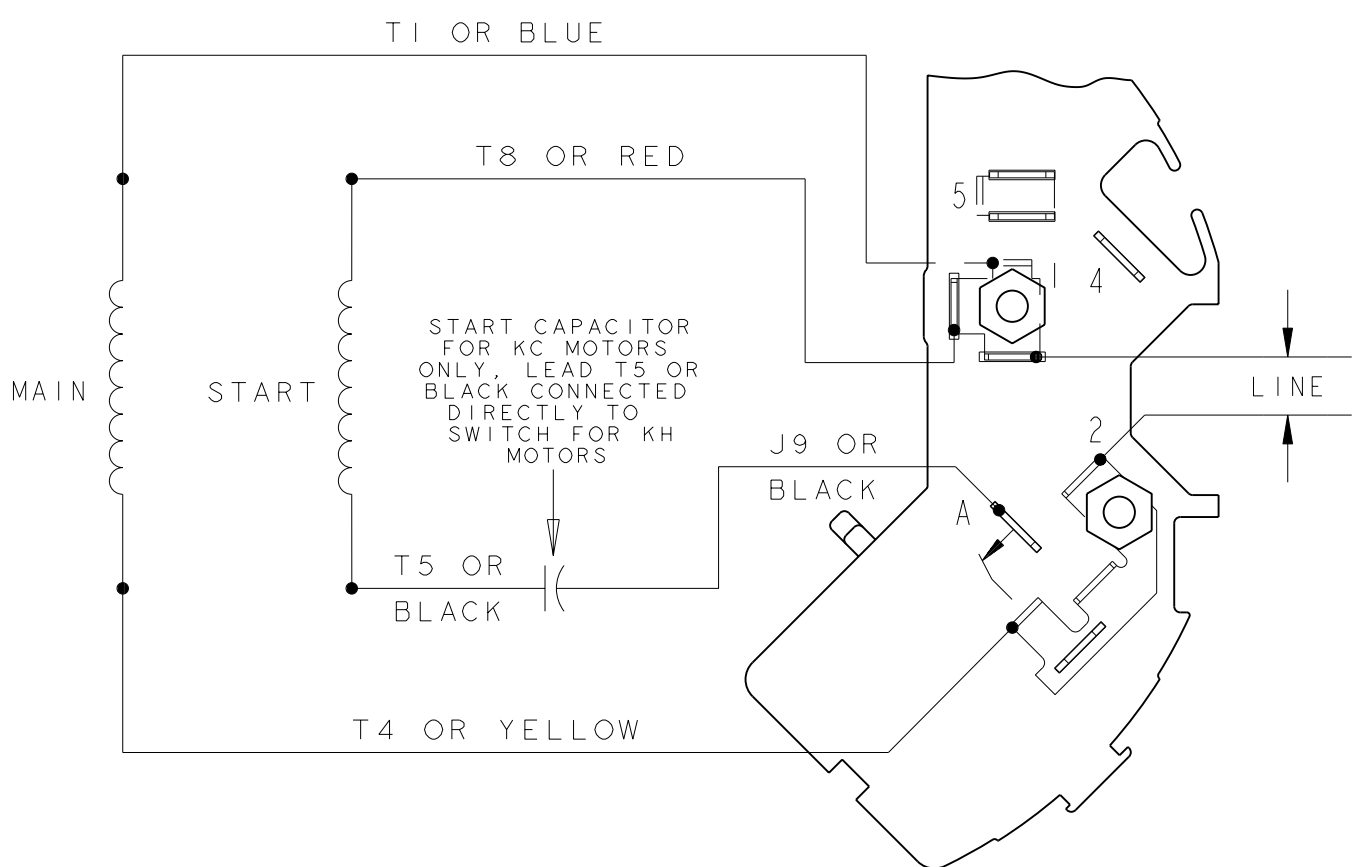


SHEET 1	THIRD ANGLE PROJECTION		REVISIONS		
			REV. 1	DESCRIPTION UPDATED FORMAT	DATE 11/10/05

52A105377AA 1

SIZE DRAWING NO. A

EITHER ROTATION - SINGLE VOLTAGE  
TYPE KC, OR KH



NOTE #1 - TO REVERSE ROTATION INTERCHANGE BLACK (T5-KH OR J9-KC) AND RED (T8) LEADS.

NOTE #2 - WHEN MORE THAN ONE CAPACITOR IS USED CONNECT IN PARALLEL.

REF. DIAG. - 121A850		SWITCH (C) - 115D958AB	
CONNECTION LABEL - 52X332047			
SIGNATURES	DATE	 <b>REGAL-BELOIT CORPORATION</b> <b>CONNECTION DIAGRAM</b> <b>FMF: 30 FRAME SWITCH REDESIGN</b>	
MODEL M.D. PAPE	06/29/87		
DETAIL	.		
CHECKED	.		
ENGRG	.		
MFG	.		
FOR ADDITIONAL INFO REFER TO:	QUALITY	SIZE DRAWING	REV
APPLIED PRACTICES	ISSUED M.D.P.	A	1
DIMENSIONS ARE IN INCHES ✓	06/29/87	52A105377AA	
MATERIAL	SOLID MODEL: 52A105377AA	SCALE: 1.000	SHEET 1 of 1