

PRODUCT INFORMATION PACKET



Model No: 5KH39QN9541T
Catalog No: 4338
Fan and Blower Motor, 3/4 HP, 1 Ph, 60 Hz, 115 V, 56 Frame, DP



Regal and LEESON are trademarks of Regal Rexnord Corporation or one of its affiliated companies.
©2025 Regal Rexnord Corporation, All Rights Reserved. MC017097E





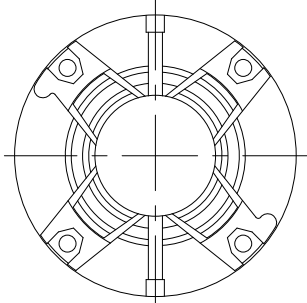
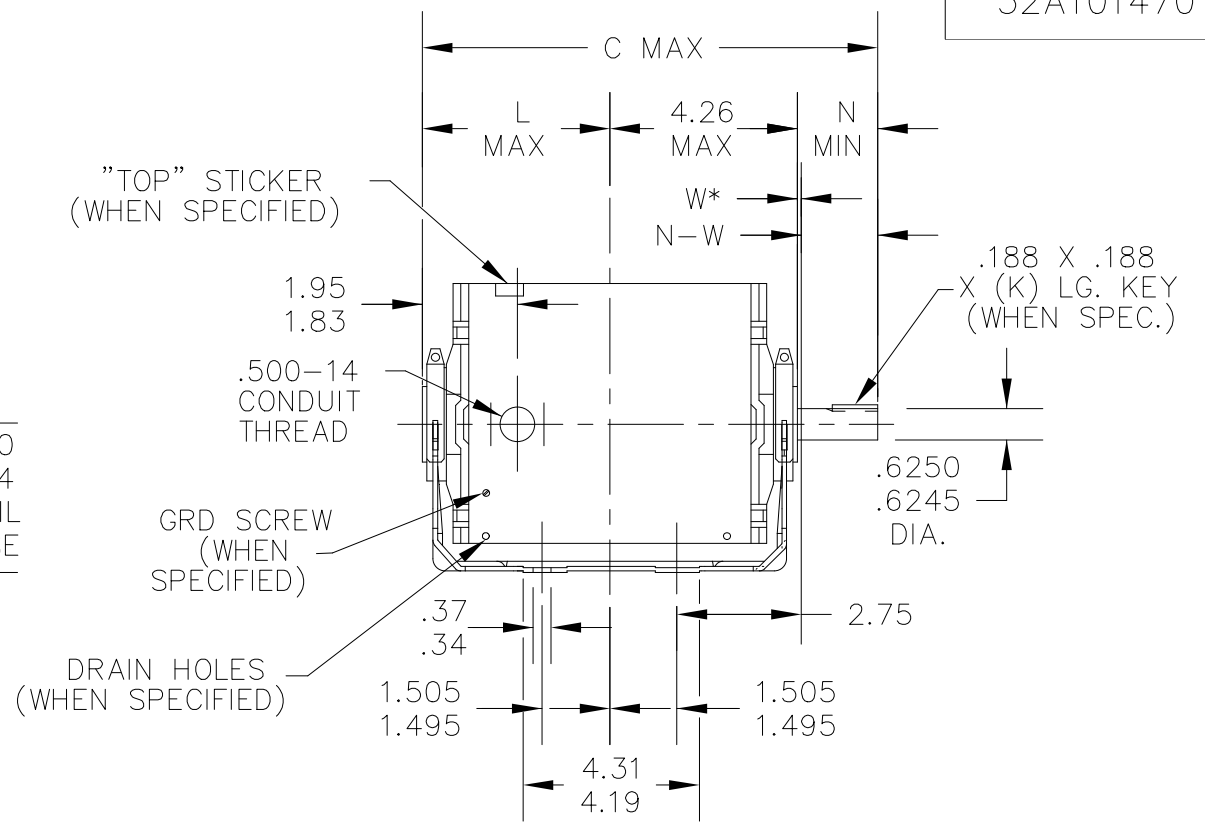
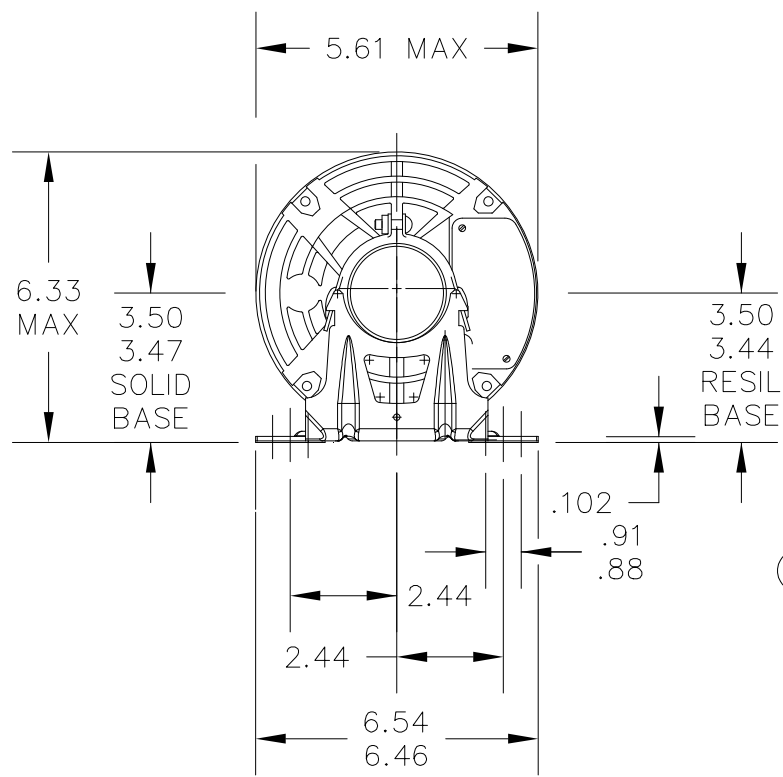
Nameplate Specifications

Phase	1	Output HP	3/4 Hp
Output KW	0.56 kW	Voltage	115 V
Speed	1725 rpm	Service Factor	1.0
Frame	56	Enclosure	Drip Proof
Thermal Protection	Automatic	Ambient Temperature	40 °C
Frequency	60 Hz	Current	11.4 A
Power Factor	0	Duty	Continuous
Insulation Class	B	KVA Code	N
Drive End Bearing Size	6203	Opp Drive End Bearing Size	6203
UL	Recognized (Not Protector)	CSA	Y
CE	N		

Technical Specifications

Electrical Type	Split Phase	Starting Method	Across The Line
Poles	4	Rotation	Selective Counterclockwise
Motor Orientation	Any	Drive End Bearing	Ball
Opp Drive End Bearing	Ball	Frame Material	Rolled Steel
Shaft Type	NEMA 56	Shaft Diameter	0.625 in
Connection Drawing	52A105379AA	Outline Drawing	52A101470P3

This is an uncontrolled document once printed or downloaded and is subject to change without notice. Date Created:11/13/2025



VIEW SHOWING PE VENTILATION OPENINGS

DRAIN HOLES (WHEN SPECIFIED)

*W IS A CLEARANCE DUE TO VARIATION I N PARTS & ASSEMBLY.

6	KCP	38	56	9.51	3.42	1.88	2.01/1.79	1.38	
5	K-KH	39	56	11.85	5.76	1.88	2.01/1.79	1.38	7.75
4	K-KH	38	56	11.32	5.23	1.88	2.01/1.79	1.38	
3	K-KH	37	56	10.72	4.63	1.88	2.01/1.79	1.38	
2	K-KH	36	56	10.32	4.28	1.88	2.01/1.79	1.38	
1	K-KH	35	56	9.89	3.80	1.88	2.01/1.79	1.38	
PT	TYPE	RBC SIZE	NEMA FR	C	L	N	N-W	K	MIN. SHELL

NO.	REVISION	BY & DATE	CHK	ANG
14	BASE CHANGED AS PER ECR-0224925	MP 06/16/23		
13	REDRAWN IN DRAFT SIGHT	UD 10/17/12	PKG	
12	CHG TO RBC FORMAT PER IS 05-1777	RK 12/15/05		

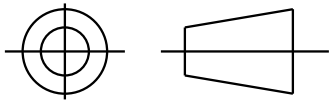
TOLERANCES UNLESS SPECIFIED		REGAL/REXNORD		DRAWN	
DEC.	INCHES	Regal Beloit America, Inc.		GLB 02/05/75	
.X	±0.1	TITLE		CHK	
.XX	±0.02			APPD MDP 07/10/96	
.XXX	±0.005	OUTLINE		SCALE 1=1	
.XXXX	±0.0005			REF	
	±1.0	FINISH		FMF	
		CAD FILE 52A101470		PREV	

THIS DRAWING IN DESIGN AND DETAIL IS OUR PROPERTY AND MUST NOT BE USED EXCEPT IN CONNECTION WITH OUR WORK ALL RIGHTS OF DESIGN AND INVENTION ARE RESERVED THIS IS AN ELECTRONICALLY GENERATED DOCUMENT - DO NOT SCALE THIS PRINT

RFP	CAD FILE	52A101470	SIZE	DRAWING NO.	REV.
DIST	3 of 4		A	52A101470	14

SHEET 1
REV 6
52A105379AA
SIZE DRAWING NO. A

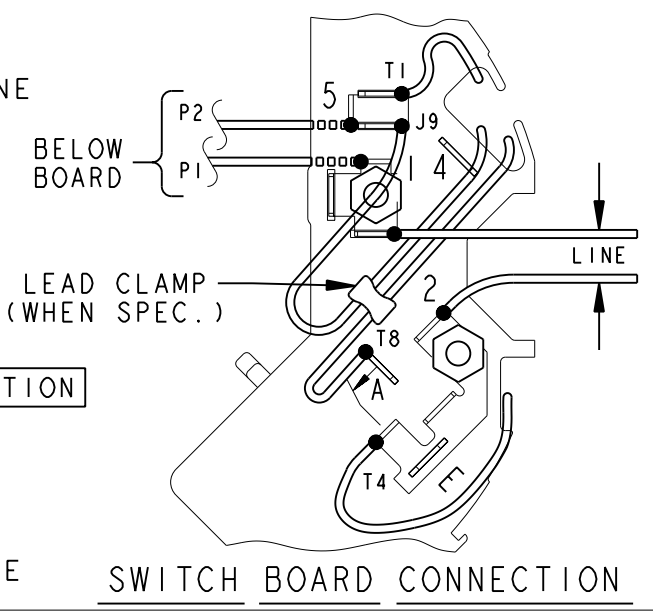
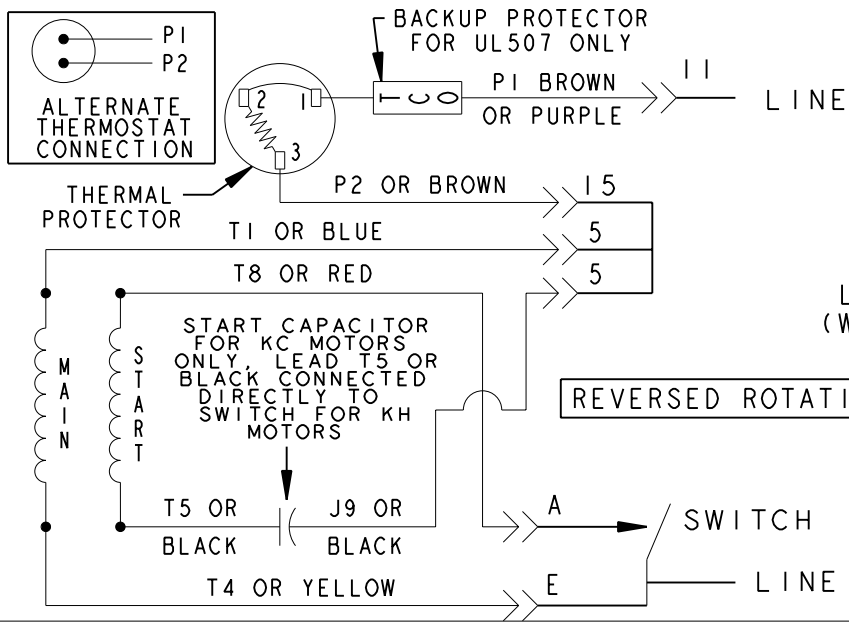
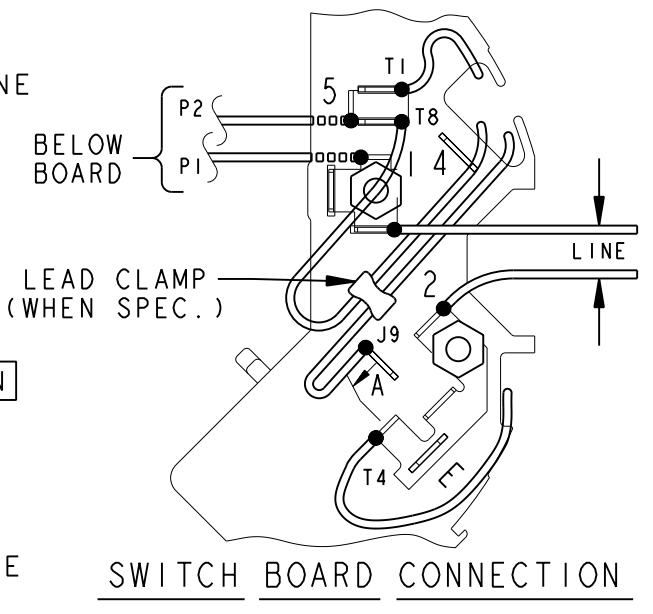
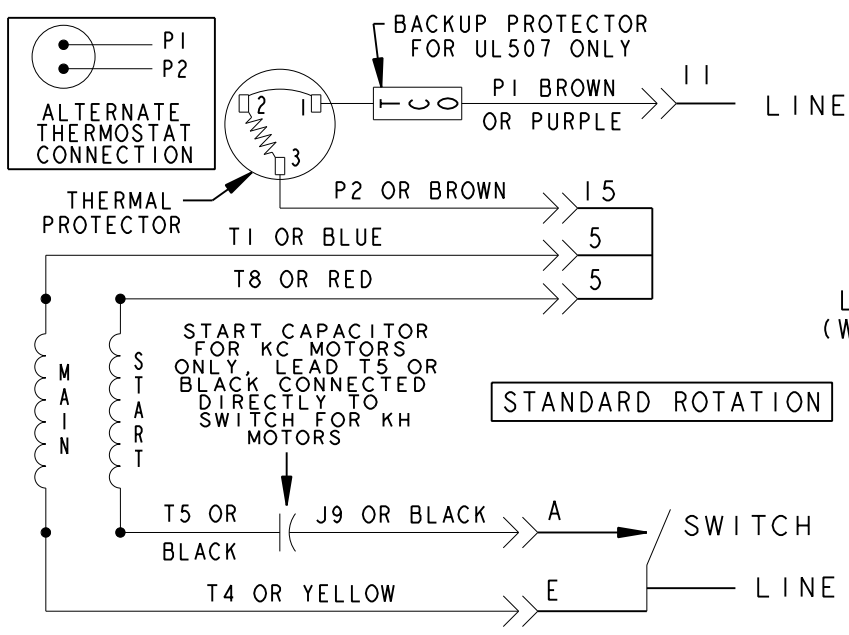
THIRD ANGLE PROJECTION



REVISIONS

REV.	DESCRIPTION	DATE	APPROVED
6	UPDATED FORMAT	12/01/05	MAM


EITHER ROTATION-SINGLE VOLTAGE-TYPE KC OR KH-WITH THERMAL PROTECTOR



NOTE #1 - TO REVERSE ROTATION INTERCHANGE RED (T8) AND BLACK (J9-KC OR T5-KH) LEADS.
NOTE #2 - WHEN MORE THAN ONE CAPACITOR IS USED CONNECT IN PARALLEL.

SWITCH (C) - 115D958AB REF. DIAG. - 121A851 CONN. LABEL - 52X332048

SIGNATURES		DATE
MODEL	M. D. PAPE	06/29/87
DETAIL	.	.
CHECKED	.	.
ENGRG	.	.
MFG	.	.
FOR ADDITIONAL INFO REFER TO:	QUALITY	.
APPLIED PRACTICES	ISSUED	M. D. P. 03/08/00
DIMENSIONS ARE IN INCHES	SOLID MODEL: 52A105379AA	



REGAL-BELOIT CORPORATION

CONNECTION DIAGRAM

FMF - 30 FR SWITCH REDESIGN

SIZE DRAWING
A

SCALE: 1.000 REF. No: .

REV 6
52A105379AA

SHEET 1 of 1