

PRODUCT INFORMATION PACKET



Model No: 5KH39QN9687
Catalog No: 4422
General Purpose Motor, 3/4 HP, 1 Ph, 60 Hz, 115 V, 56 Frame, DP



Regal and LEESON are trademarks of Regal Rexnord Corporation or one of its affiliated companies.
©2025 Regal Rexnord Corporation, All Rights Reserved. MC017097E





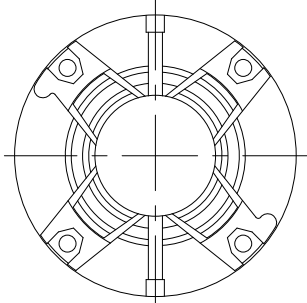
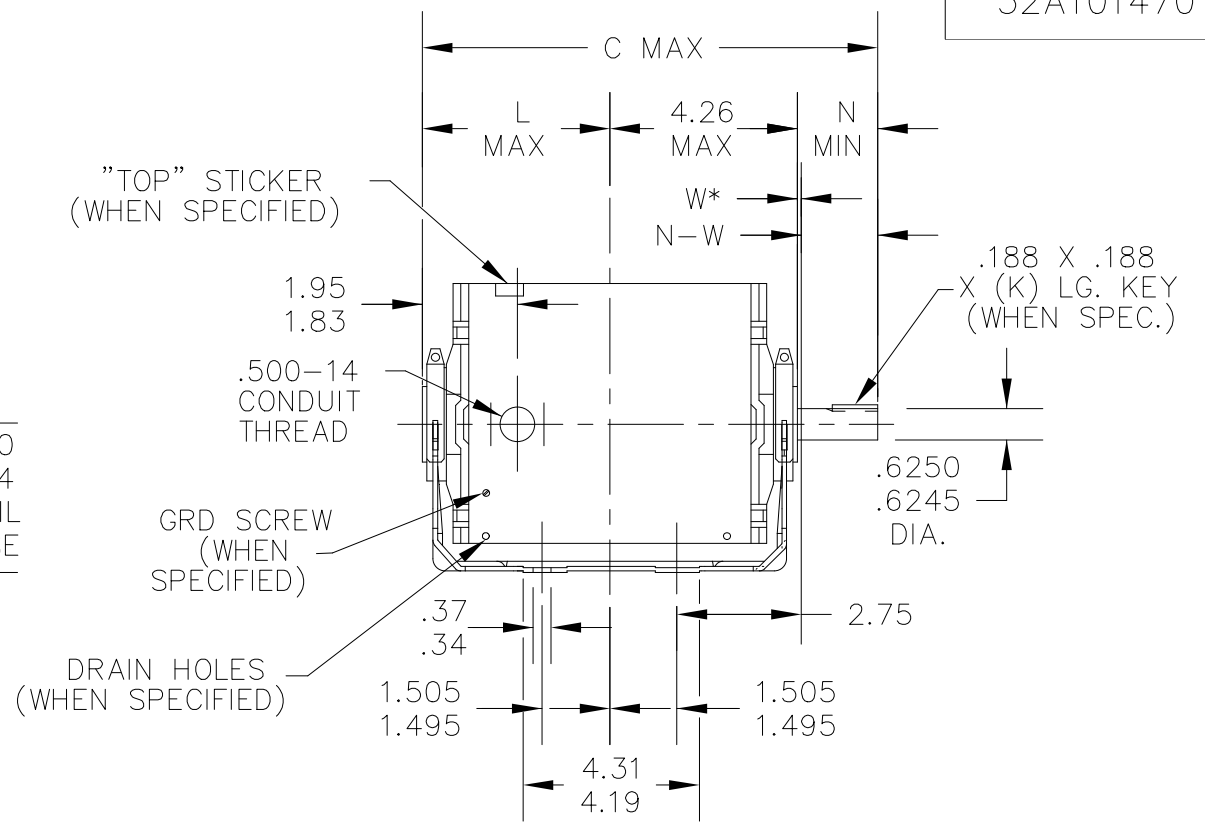
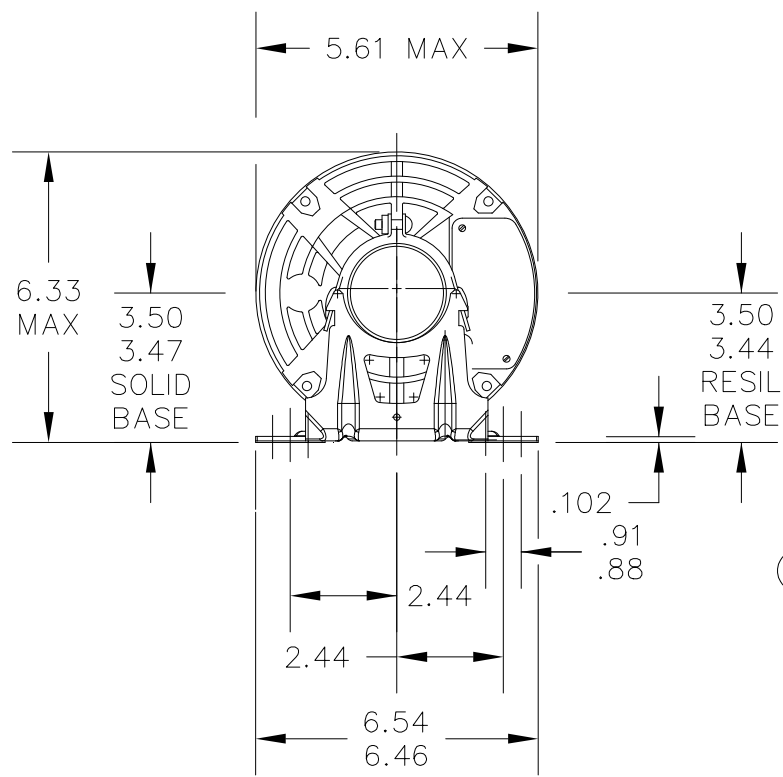
Nameplate Specifications

Phase	1	Output HP	3/4 Hp
Output KW	0.56 kW	Voltage	115 V
Speed	1725 rpm	Service Factor	1.0
Frame	56	Enclosure	Drip Proof
Thermal Protection	No Protection	Ambient Temperature	40 °C
Frequency	60 Hz	Current	11.2 A
Power Factor	0	Duty	Continuous
Insulation Class	B	KVA Code	L
Drive End Bearing Size	6203	Opp Drive End Bearing Size	6203
UL	Recognized	CSA	Y
CE	N		

Technical Specifications

Electrical Type	Split Phase	Starting Method	Across The Line
Poles	4	Rotation	Selective Counterclockwise
Motor Orientation	Any	Drive End Bearing	Ball
Opp Drive End Bearing	Ball	Frame Material	Rolled Steel
Shaft Type	NEMA 56	Shaft Diameter	0.625 in
Connection Drawing	52A105377AA	Outline Drawing	52A101470P3

This is an uncontrolled document once printed or downloaded and is subject to change without notice. Date Created:11/13/2025



VIEW SHOWING PE VENTILATION OPENINGS

DRAIN HOLES (WHEN SPECIFIED)

*W IS A CLEARANCE DUE TO VARIATION I N PARTS & ASSEMBLY.

6	KCP	38	56	9.51	3.42	1.88	2.01/1.79	1.38	
5	K-KH	39	56	11.85	5.76	1.88	2.01/1.79	1.38	7.75
4	K-KH	38	56	11.32	5.23	1.88	2.01/1.79	1.38	
3	K-KH	37	56	10.72	4.63	1.88	2.01/1.79	1.38	
2	K-KH	36	56	10.32	4.28	1.88	2.01/1.79	1.38	
1	K-KH	35	56	9.89	3.80	1.88	2.01/1.79	1.38	
PT	TYPE	RBC SIZE	NEMA FR	C	L	N	N-W	K	MIN. SHELL

NO.	REVISION	BY & DATE	CHK	ANG
14	BASE CHANGED AS PER ECR-0224925	MP 06/16/23		
13	REDRAWN IN DRAFT SIGHT	UD 10/17/12	PKG	
12	CHG TO RBC FORMAT PER IS 05-1777	RK 12/15/05		

TOLERANCES UNLESS SPECIFIED	
DEC.	INCHES
.X	±0.1
.XX	±0.02
.XXX	±0.005
.XXXX	±0.0005
RFP	
DIST	

Regal Rexnord Regal Beloit America, Inc.

TITLE: OUTLINE
DRIP PROOF- SOLID OR RESIL BASE

MAT'L: FINISH

CAD FILE: 52A101470

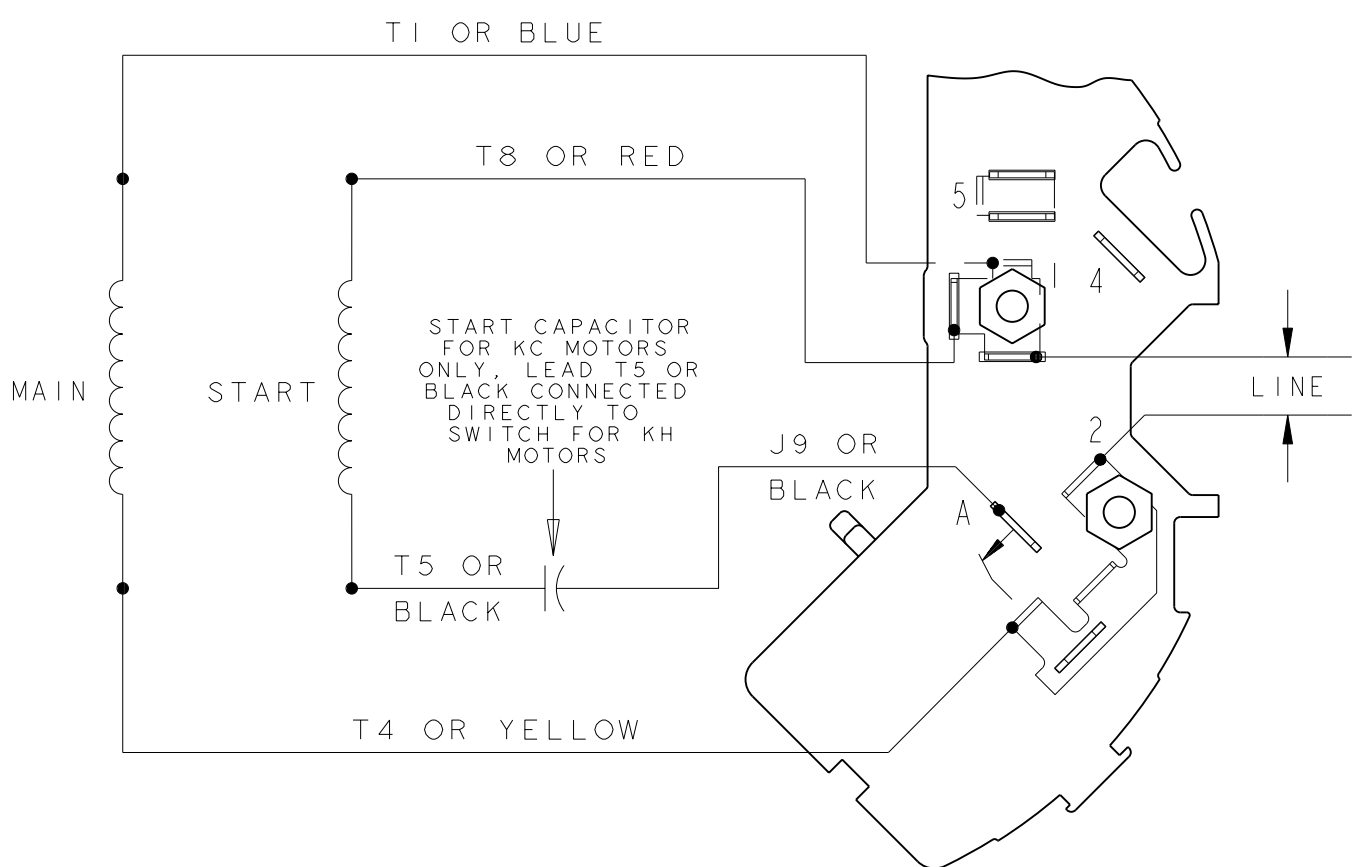
DRAWN	GLB 02/05/75
CHK	
APPD	MDP 07/10/96
SCALE	1=1
REF	
FMF	
PREV	

SHEET 1	THIRD ANGLE PROJECTION		REVISIONS		
			REV. 1	DESCRIPTION UPDATED FORMAT	DATE 11/10/05

52A105377AA 1


SIZE DRAWING NO. A

EITHER ROTATION - SINGLE VOLTAGE
TYPE KC, OR KH



NOTE #1 - TO REVERSE ROTATION INTERCHANGE BLACK (T5-KH OR J9-KC) AND RED (T8) LEADS.

NOTE #2 - WHEN MORE THAN ONE CAPACITOR IS USED CONNECT IN PARALLEL.

REF. DIAG. - 121A850		SWITCH (C) - 115D958AB	
CONNECTION LABEL - 52X332047			
SIGNATURES	DATE	 REGAL-BELOIT CORPORATION TITLE CONNECTION DIAGRAM FMF: 30 FRAME SWITCH REDESIGN	
MODEL M.D. PAPE	06/29/87		
DETAIL	.		
CHECKED	.		
ENGRG	.		
MFG	.		
FOR ADDITIONAL INFO REFER TO:	QUALITY	SIZE DRAWING	REV
APPLIED PRACTICES	ISSUED M.D.P.	A	1
DIMENSIONS ARE IN INCHES ✓	06/29/87	52A105377AA	
MATERIAL	SOLID MODEL: 52A105377AA	SCALE: 1.000	SHEET 1 of 1