

# PRODUCT INFORMATION PACKET



Model No: 5KH39QN9725T  
Catalog No: 4730  
Fan and Blower Motor, 1/4 HP, 1 Ph, 60 Hz, 115 V, 48Y Frame, DP



Regal and LEESON are trademarks of Regal Rexnord Corporation or one of its affiliated companies.  
©2025 Regal Rexnord Corporation, All Rights Reserved. MC017097E





### Nameplate Specifications

Phase	1	Output HP	1/4 Hp
Output KW	0.19 kW	Voltage	115 V
Speed	1725 rpm	Service Factor	1.35
Frame	48Y	Enclosure	Drip Proof
Thermal Protection	Automatic	Ambient Temperature	40 °C
Frequency	60 Hz	Current	5.0 A
Power Factor	0	Duty	Continuous
Insulation Class	B	KVA Code	M
Drive End Bearing Size	6203	Opp Drive End Bearing Size	6203
UL	Recognized ( Not Protector)	CSA	Y
CE	N		

### Technical Specifications

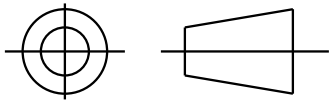
Electrical Type	Split Phase	Starting Method	Across The Line
Poles	4	Rotation	Selective Counterclockwise
Motor Orientation	Any	Drive End Bearing	Ball
Opp Drive End Bearing	Ball	Frame Material	Rolled Steel
Shaft Type	Special Extension	Shaft Diameter	0.500 in
Outline Drawing	52A107002P2	Connection Drawing	52A105379AA

This is an uncontrolled document once printed or downloaded and is subject to change without notice. Date Created:11/13/2025



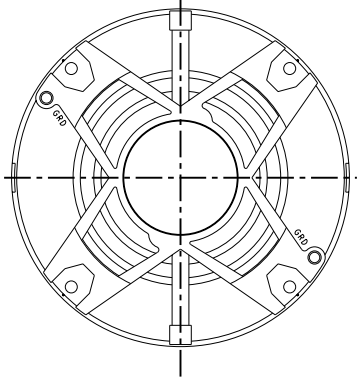
SHEET 1  
REV 5  
52A107002  
SIZE DRAWING NO. A

THIRD ANGLE PROJECTION

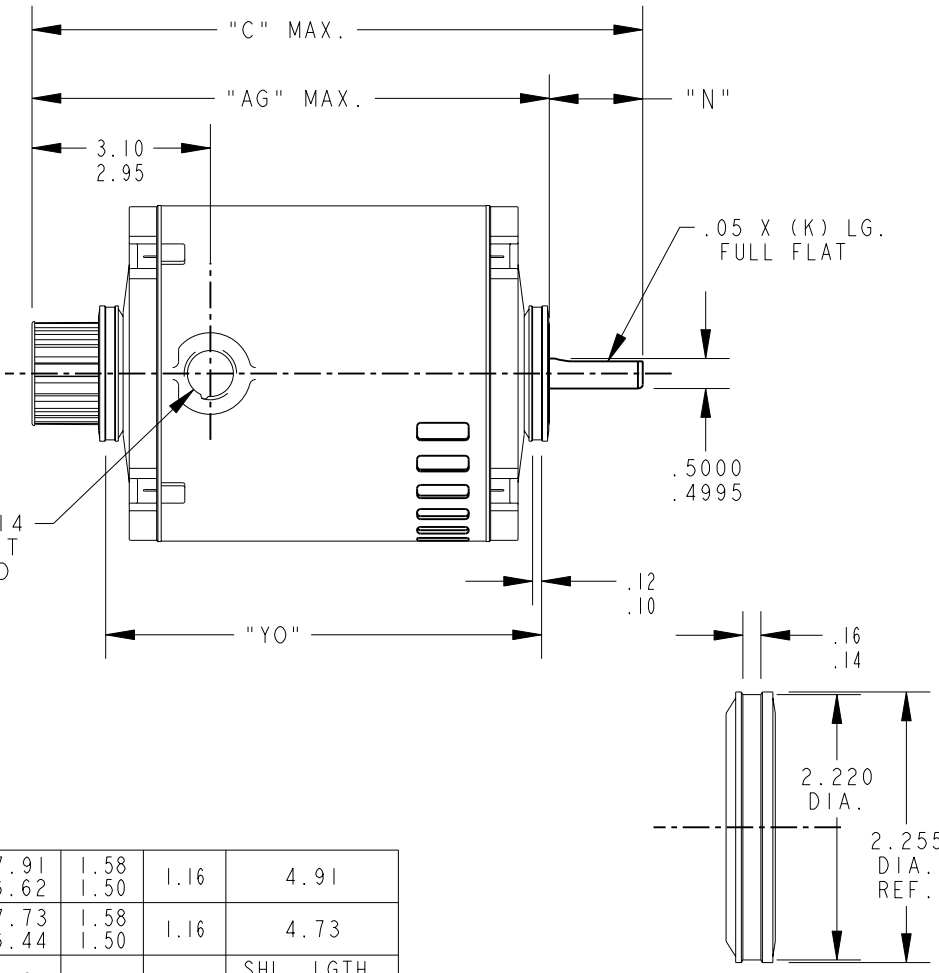
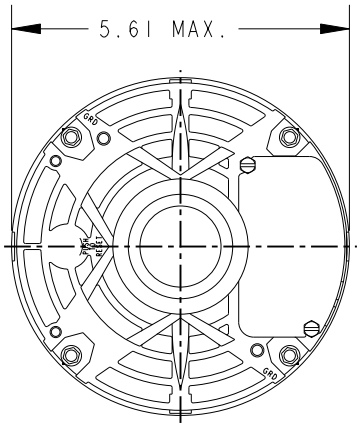


REVISIONS

REV.	DESCRIPTION	DATE	APPROVED
3	ADDED PART #2.	03/11/94	M.D.PAPE
4	REV. SHELL VENTS	11/04/94	M.A.M.
5	CHG TO RBC FORMAT PER ISO5-1777	02/16/06	SUDHA



VIEW SHOWING P.E. VENTILATION OPENINGS



2	KH	39	48Y	9.78	8.16	7.91 6.62	1.58 1.50	1.16	4.91
1	KH	39	48Y	9.60	7.98	7.73 6.44	1.58 1.50	1.16	4.73
P	TYPE	GE SIZE	NEMA FR	"C"	"AG"	"YO"	"N"	"K"	SHL. LGTH. REF.

		SIGNATURES	DATE
FOR ADDITIONAL INFO REFER TO:		MODEL	MAM 02/10/90
APPLIED PRACTICES	QUALITY	DETAIL	.
DIMENSIONS ARE IN INCHES ✓	ISSUED	CHECKED	.
MATERIAL	SOLID MODEL: 52A107002	ENGRG	.
		MFG	.
		ISSUED	MAM 02/10/90



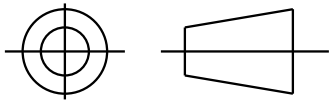
REGAL-BELOIT CORPORATION

TITLE	
<b>OUTLINE</b> <b>PDQ MOTOR - DRIP PROOF - RESIL. BASE -</b> <b>BALL/SLV. BRG. (5KH39QN9725T)</b>	
SIZE DRAWING	REV
A	5
SCALE: 0.313	REF. No: .
SHEET 1 of 1	



SHEET 1  
REV 6  
52A105379AA  
SIZE DRAWING NO. A

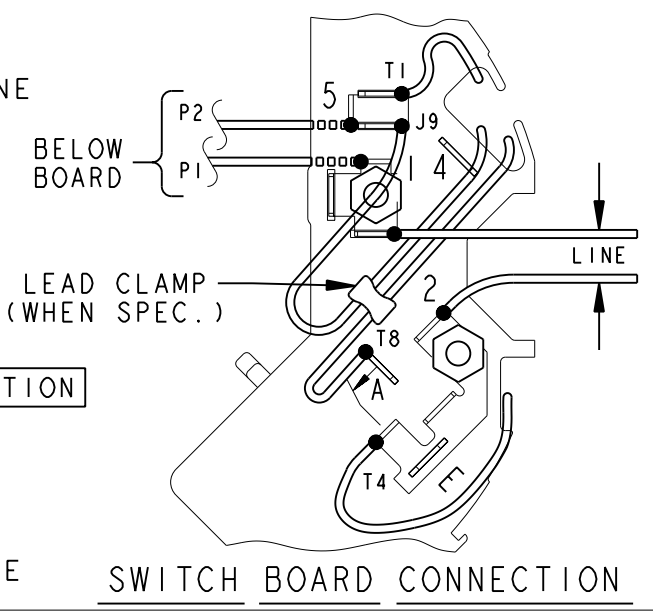
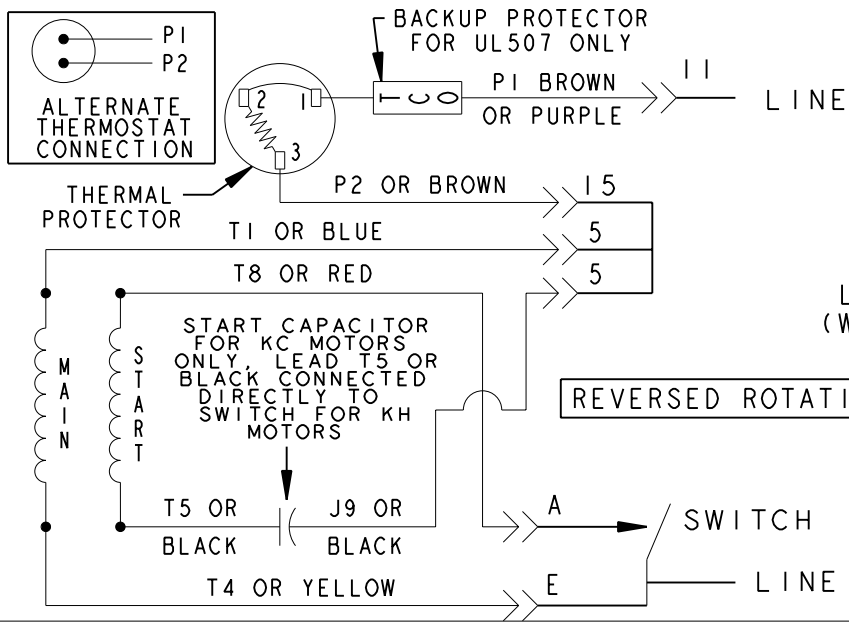
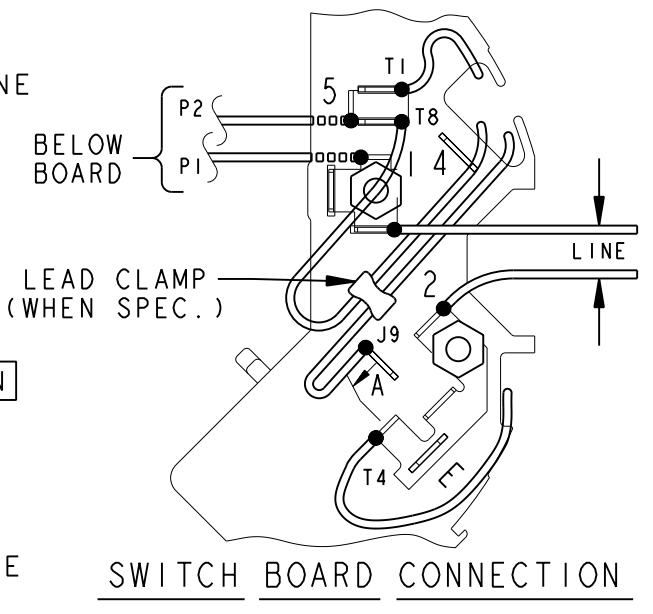
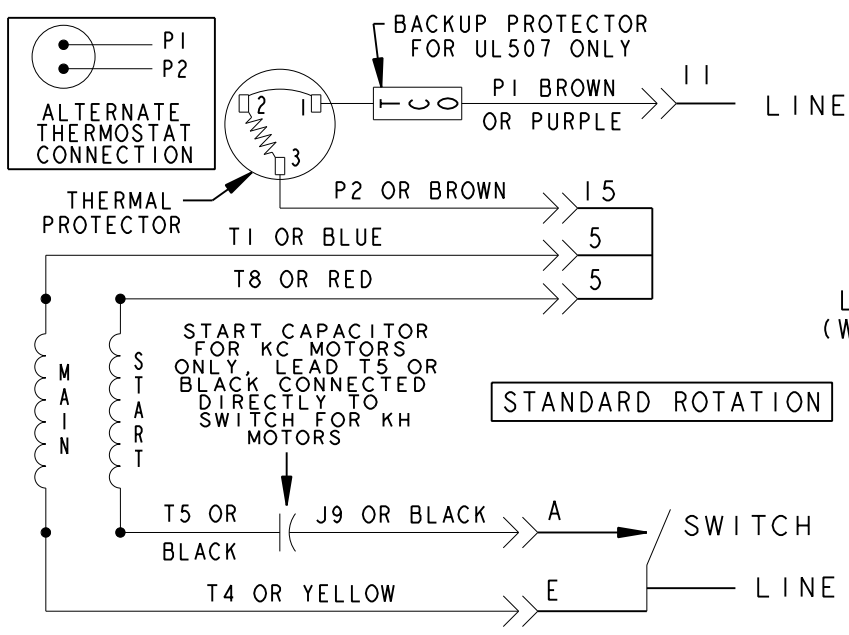
THIRD ANGLE PROJECTION



REVISIONS

REV.	DESCRIPTION	DATE	APPROVED
6	UPDATED FORMAT	12/01/05	MAM

EITHER ROTATION-SINGLE VOLTAGE-TYPE KC OR KH-WITH THERMAL PROTECTOR



NOTE #1 - TO REVERSE ROTATION INTERCHANGE RED (T8) AND BLACK (J9-KC OR T5-KH) LEADS.  
NOTE #2 - WHEN MORE THAN ONE CAPACITOR IS USED CONNECT IN PARALLEL.

SWITCH (C) - 115D958AB      REF. DIAG. - 121A851      CONN. LABEL - 52X332048

SIGNATURES		DATE
MODEL	M. D. PAPE	06/29/87
DETAIL	.	.
CHECKED	.	.
ENGRG	.	.
MFG	.	.
FOR ADDITIONAL INFO REFER TO:	QUALITY	.
APPLIED PRACTICES	ISSUED	M. D. P. 03/08/00
DIMENSIONS ARE IN INCHES	SOLID MODEL: 52A105379AA	

**REGAL-BELOIT CORPORATION**

**CONNECTION DIAGRAM**

**FMF - 30 FR SWITCH REDESIGN**

SIZE: DRAWING: A

SCALE: 1.000      REF. No: .

**52A105379AA**      REV 6

SHEET 1 of 1