

# PRODUCT INFORMATION PACKET



Model No: 5KHC39QN9584X

Catalog No: H647

General Purpose Farm Duty Motor, 1/2 HP, 1 Ph, 60 Hz, 115/208-230 V, 56 Frame, TENV



Regal and LEESON are trademarks of Regal Rexnord Corporation or one of its affiliated companies.

©2025 Regal Rexnord Corporation, All Rights Reserved. MC017097E





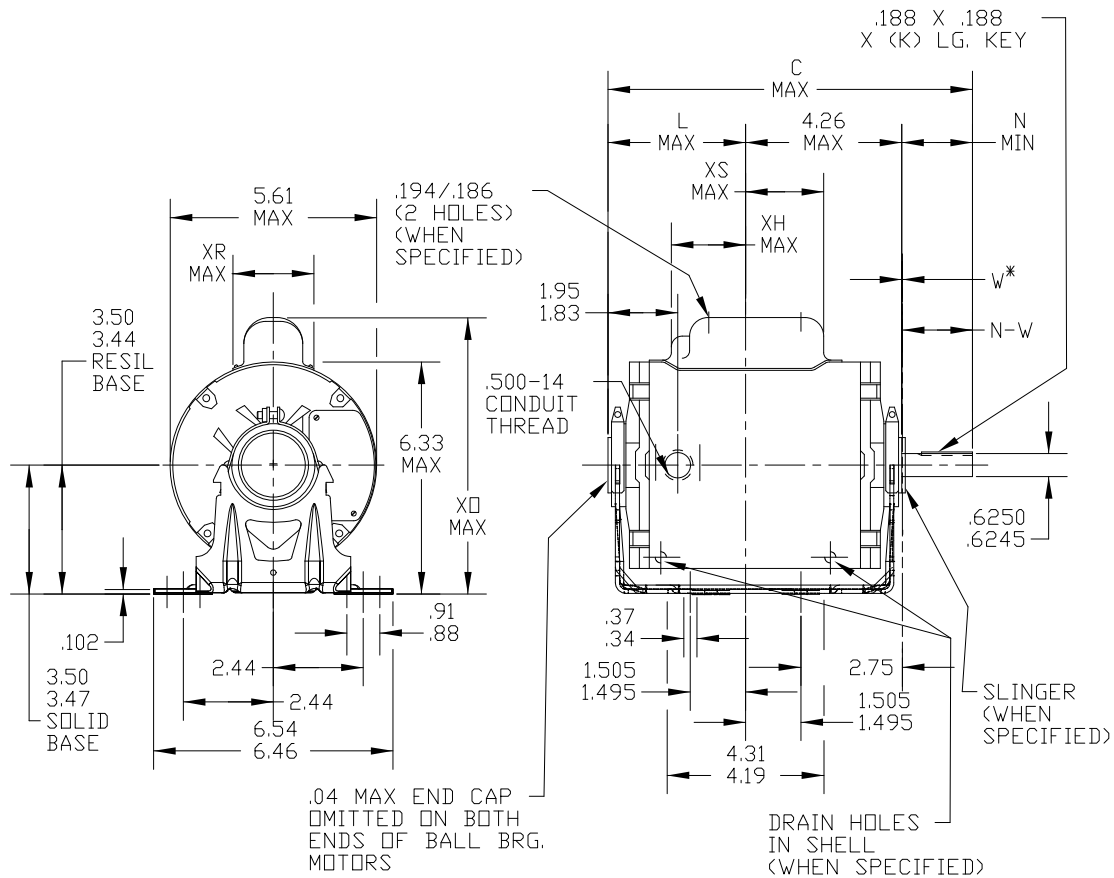
**Nameplate Specifications**

Phase	<b>1</b>	Output HP	<b>1/2 Hp</b>
Output KW	<b>0.37 kW</b>	Voltage	<b>115/208-230 V</b>
Speed	<b>1725 rpm</b>	Service Factor	<b>1.30</b>
Frame	<b>56</b>	Enclosure	<b>Totally Enclosed Non Ventilated</b>
Thermal Protection	<b>Automatic</b>	Ambient Temperature	<b>40 °C</b>
Frequency	<b>60 Hz</b>	Current	<b>5.2/2.7-2.6 A</b>
Power Factor	<b>0</b>	Duty	<b>Continuous</b>
Insulation Class	<b>B</b>	KVA Code	<b>M</b>
Drive End Bearing Size	<b>6203</b>	Opp Drive End Bearing Size	<b>6203</b>
UL	<b>Recognized</b>	CSA	<b>Y</b>
CE	<b>N</b>		

**Technical Specifications**

Electrical Type	<b>Split Phase Start Capacitor Run</b>	Starting Method	<b>Across The Line</b>
Poles	<b>4</b>	Rotation	<b>Selective Counterclockwise</b>
Motor Orientation	<b>Any</b>	Drive End Bearing	<b>Ball</b>
Opp Drive End Bearing	<b>Ball</b>	Frame Material	<b>Rolled Steel</b>
Shaft Type	<b>NEMA 56</b>	Shaft Diameter	<b>0.625 in</b>
Connection Drawing	<b>52A105383AB</b>	Outline Drawing	<b>52A102743P4</b>

This is an uncontrolled document once printed or downloaded and is subject to change without notice. Date Created:11/13/2025



\* W IS A CLEARANCE DUE TO VARIATION IN PARTS AND ASSEMBLY.

4	KHC	36	56	10.37	1.38	4.23	1.88	2.01/1.79	3.10	8.18	2.22	2.64
3	KHC	37	56	10.72	1.38	4.63	1.88	2.01/1.79	3.05	8.93	2.22	2.72
2	KHC	38	56	11.32	1.38	5.23	1.88	2.01/1.79	3.65	8.93	2.72	2.12
1	KHC	38	56	11.32	1.38	5.23	1.88	2.01/1.79	3.65	8.43	2.22	2.12
PT	TYPE	GE SIZE	NEMA FR	C	K	L	N	N-W	XH	XD	XR	XS

				TOLERANCES UNLESS SPECIFIED		Regal Beloit America, Inc.		DRAWN MWW 06/20/78				
				DEC.	INCHES			CHK				
					.X	±.1	APPD M.D.P 07/10/96					
					.XX	±.03	SCALE 1=4					
8	UPDATED BASE AS PER ECR-0224925		PS 09/29/2023	SN	.XXX	±.005	TITLE <input type="checkbox"/> OUTLINE					
7	FORMAT CHG PER ISAAC 05-1777		01/06/06	RK	.XXXX	±.0005	FORM N-GENERAL PURPOSE MOTOR-TOTALLY ENCLOSED SOLID DR RESIL BASE-BALL DR SLEEVE BEARING - FWF5KHC38SNE2					
NO.	REVISION		BY & DATE	CHK	ANG	± 7'30"	REF FWF					
				RFP	CAD FILE 52A102743			SIZE	DRAWING NO.	PAGE	OF	REV.
				DIST				A	52A102743			8

THIS DRAWING IN DESIGN AND DETAIL IS OUR PROPERTY AND MUST NOT BE USED EXCEPT IN CONNECTION WITH OUR WORK ALL RIGHTS OF DESIGN AND INVENTION ARE RESERVED THIS IS AN ELECTRONICALLY GENERATED DOCUMENT - DO NOT SCALE THIS PRINT

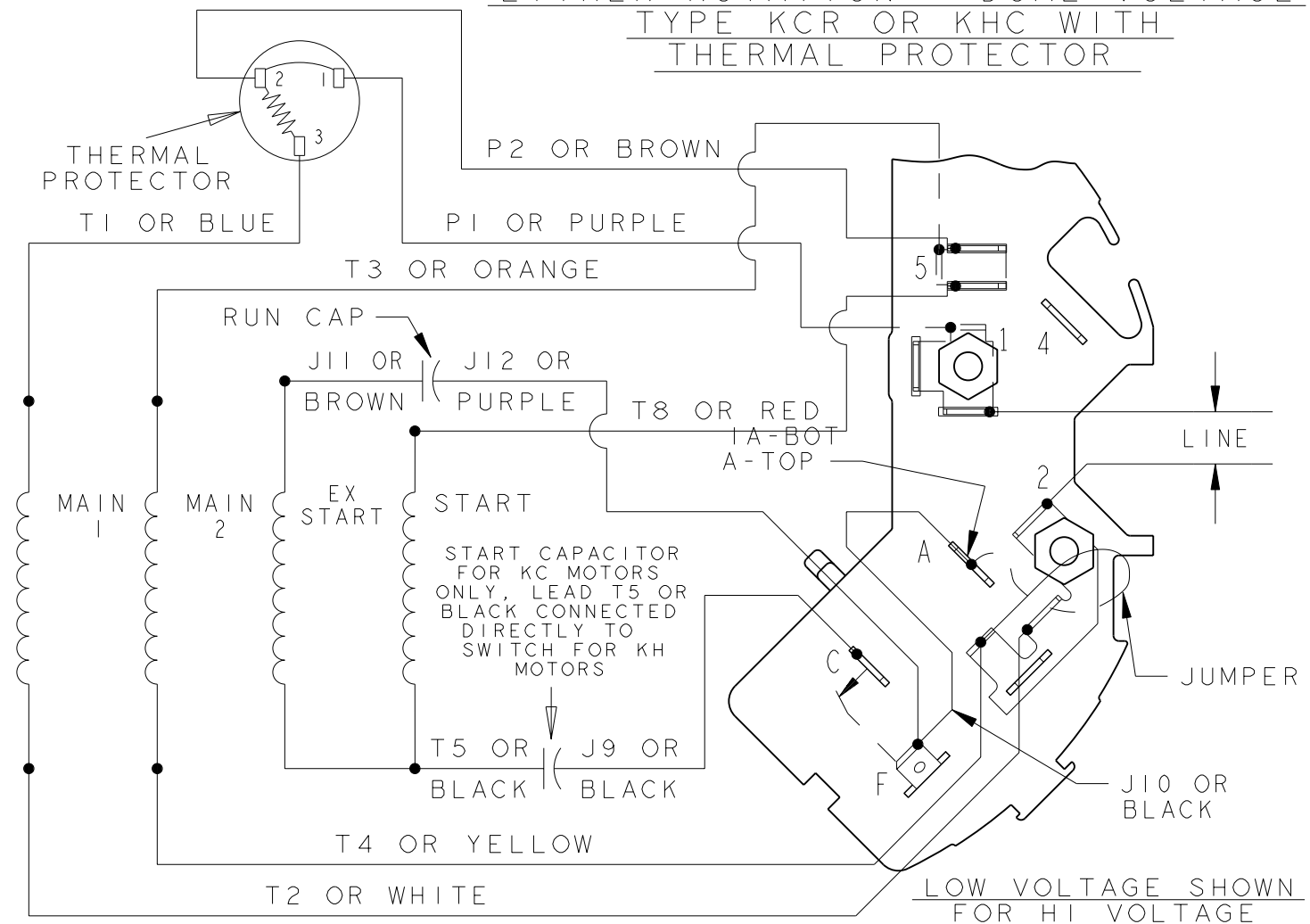
SHEET —	THIRD ANGLE PROJECTION		REVISIONS		
			REV.	DESCRIPTION	DATE

REV 3

52A105383AB

SIZE DRAWING NO.

EITHER ROTATION - DUAL VOLTAGE  
TYPE KCR OR KHC WITH  
THERMAL PROTECTOR



LOW VOLTAGE SHOWN  
FOR HI VOLTAGE  
SEE NOTE #1

- NOTE #1 - FOR HI VOLTAGE REMOVE BROWN (P2) FROM TERMINAL #5 AND PLACE ON TERMINAL #4, REMOVE WHITE (T2) FROM TERMINAL #2 AND PLACE ON TERMINAL #5.
- NOTE #2 - TO REVERSE ROTATION INTERCHANGE BLACK (J10) AND RED (T8) LEADS.
- NOTE #3 - WHEN MORE THAN ONE CAPACITOR IS USED CONNECT IN PARALLEL.

REF. DIAG. - 119A9479	SWITCH - 115D958AC
	CONNECTION LABEL - 52X332051

FOR ADDITIONAL INFO REFER TO: APPLIED PRACTICES DIMENSIONS ARE IN INCHES ✓ MATERIAL	SIGNATURES	DATE	<p><b>REGAL-BELOIT CORPORATION</b></p> <p><b>CONNECTION DIAGRAM</b></p> <p><b>FMF: 30 FRAME SWITCH REDESIGN</b></p> <p>SIZE DRAWING A</p> <p>SCALE: 1.000 REF. No: .</p>
	MODEL M.D. PAPE	10/19/87	
	DETAIL	.	
	CHECKED	.	
	ENGRG	.	
MFG	.		
QUALITY	.		
ISSUED M.D.P.	10/19/87		
SOLID MODEL: 52A105383AB			

**52A105383AB** REV 3