

PRODUCT INFORMATION PACKET



Model No: 604
Catalog No: 604

Refrigeration Motor, 1/20 HP, 1 Ph, 60 Hz, 115/230 V, 1050 RPM, 1 Speed, 42 Frame, SEMI ENCLOSED



Regal and Century are trademarks of Regal Rexnord Corporation or one of its affiliated companies.
©2022 Regal Rexnord Corporation, All Rights Reserved. MC017097E





Nameplate Specifications

Output HP	1/20 Hp	Output KW	0.04 kW
Frequency	60 Hz	Voltage	115/230 V
Current	2.8/1.4 A	Speed	1050 rpm
Service Factor	1	Phase	1
Duty	Continuous Air Over	Insulation Class	A
Frame	42	Enclosure	Semi Enclosed
Thermal Protection	Thermally Protected	Ambient Temperature	40 °C
UL	Recognized	CSA	Y
CE	N	Number of Speeds	1

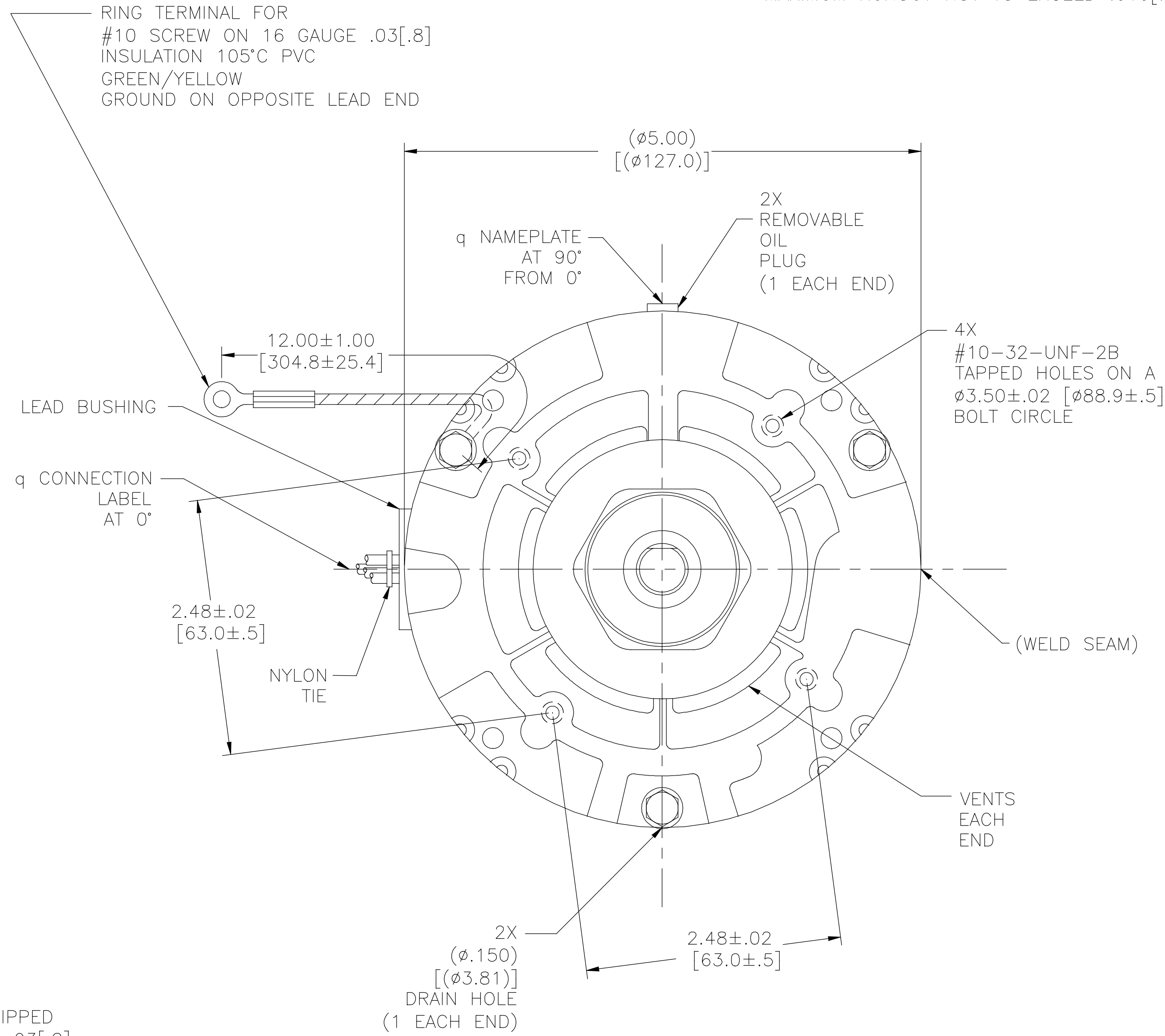
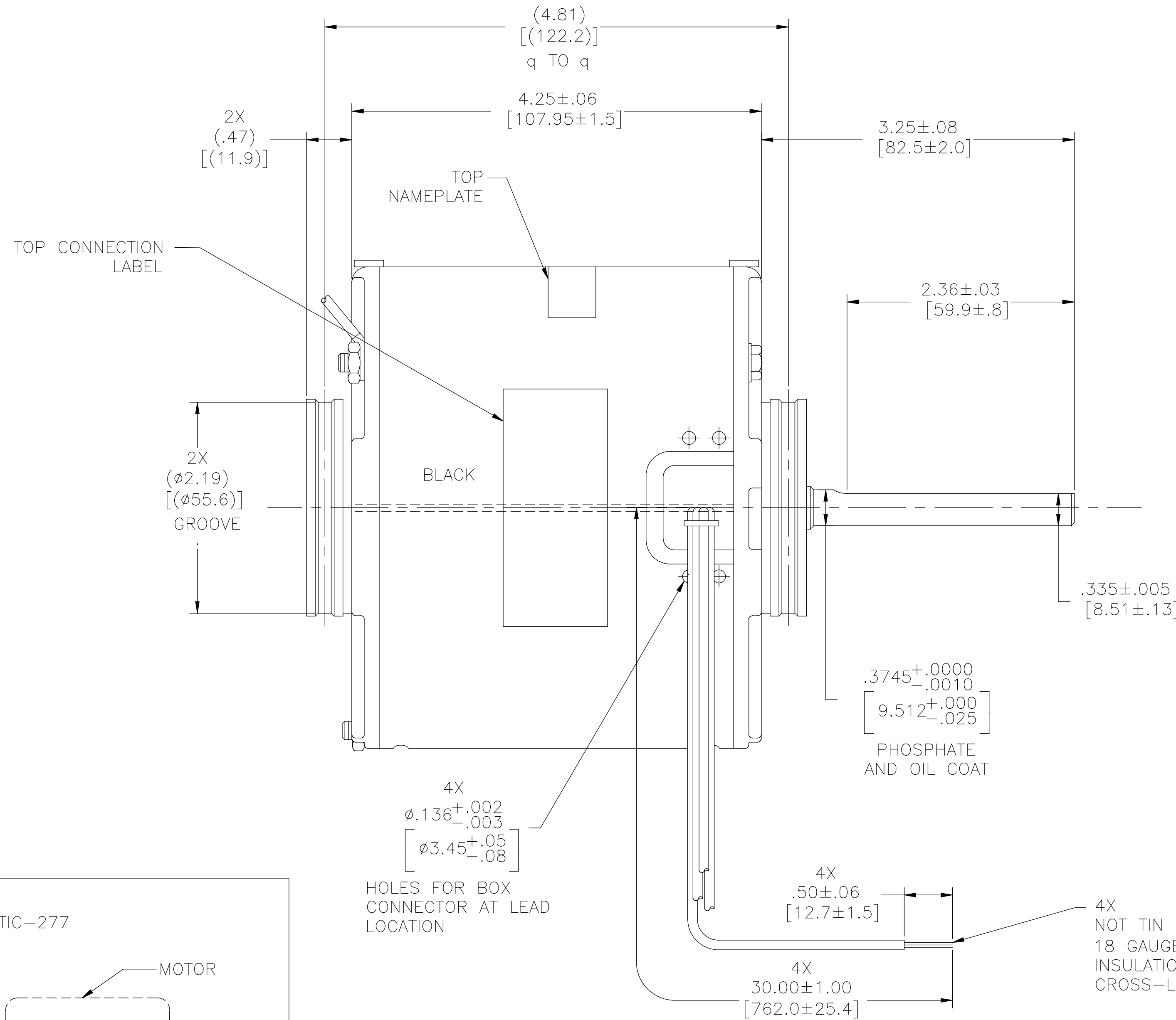
Technical Specifications

Electrical Type	Shaded Pole	Starting Method	Across The Line
Poles	6	Rotation	Clockwise Shaft End
Mounting	Resilient Rings	Motor Orientation	Horizontal
Drive End Bearing	Sleeve	Opp Drive End Bearing	Sleeve
Frame Material	Rolled Steel	Shaft Type	Flat
Overall Length	8.87 in	Frame Length	3.67 in
Shaft Diameter	0.375 in	Shaft Extension	3.25 in
Outline Drawing	DA3D7209-S01		

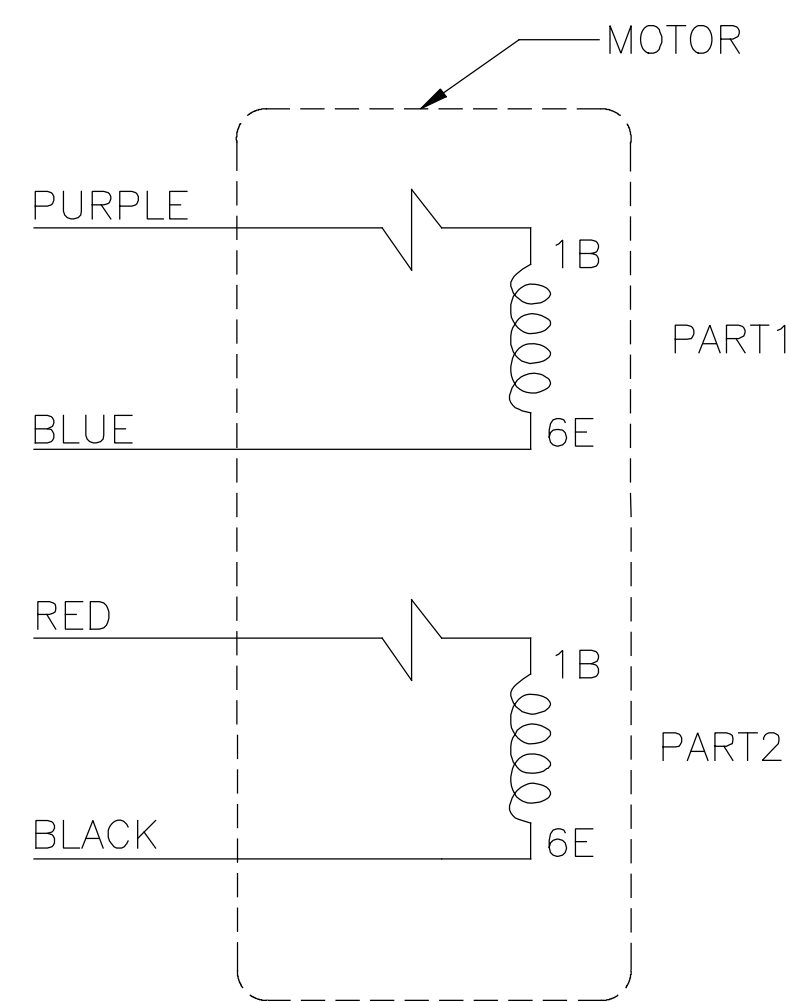
This is an uncontrolled document once printed or downloaded and is subject to change without notice. Date Created:11/29/2022

CUSTOMER IS SOLELY RESPONSIBLE FOR MOTOR PERFORMANCE AND SUITABILITY IN APPLICATIONS FOR CUSTOMER'S USES

ENDPLAY .005[0.13]MINIMUM-.040[1.02]MAXIMUM
MAXIMUM SHAFT RUNOUT .001[.03]PER INCH
MAXIMUM RUNOUT NOT TO EXCEED .010[.25]



SCHEMATIC-277



4X
 $\phi .136^{+.002}_{-.003}$
 $[\phi 3.45^{+.05}_{-.08}]$
HOLES FOR BOX
CONNECTOR AT LEAD
LOCATION

COLOR CODE
PURPLE & RED TO LINE
BLUE & BLACK TO LINE
PURPLE TO ONE LINE
BLACK TO OTHER LINE
RED & BLUE TOGETHER & INSULATION

ELECTRICALLY PER
SAMPLE S-7508D
EXCEPT 115/230V

REGAL-BELOIT CORPORATION (RBC)
PROVIDES TECHNICAL ASSISTANCE TO
OUR CUSTOMERS IN SEVERAL AREAS.
SINCE RBC DOES NOT RECEIVE ALL
DATA CONCERNING THE USE AND
APPLICATION OF THE MOTOR, THE
SUITABILITY OF THE MOTOR FOR THE
APPLICATION MUST BE DETERMINED BY
THE CUSTOMER.

DIMENSIONS WITHOUT TOLERANCES ARE
FOR REFERENCE ONLY.

CONNECTION
LABEL
63T7432-180

ROT: CWLE-CWSE

NAMEPLATE DATA:



SER. DATE & PO# PLT LTR MOD DA3D209N# STK NO. 604
VOLTS 115/230 HZ 60 AMPS 2.8/1.4
RPM 1050 SP PH 1 CAP
INS CL AMB °C HP 1/20 CONT A.O. → ROTATION →
BRG SLV MECH. REV. ASSEMBLED IN MEXICO

DRAWING REVISION	REVISION BY	DATE
L	CELINE ZHAO	08-04-2017
ECC	DURAN	08-04-2017
ECC-0128493		
ECC DESCRIPTION		
SEE ECC		

COPYRIGHT REGAL-BELOIT AMERICA, INC. ALL RIGHTS RESERVED.
REGAL-BELOIT AMERICA, INC. (OWNER) AND CENTRAL-OWNER'S PROPRIETARY
INFORMATION. ANY FEDERAL CORPORATION OR OTHER FORM REVISION IS A VIOLATION
BY RECEIVING IT TO AGREE THAT IT AND/OR ANY PART OF IT, SHALL NOT BE DISCLOSED
TO ANY PERSON, CORPORATION OR OTHER ENTITY, UNLESS SOLELY FOR THE USE OF THE
AS EXPRESSLY APPROVED IN WRITING IN ADVANCE BY OWNER. THIS DOCUMENT SHALL
BE RETURNED TO OWNER UPON REQUEST. IT MAY BE SUBJECT TO EXPORT CONTROL
RESTRICTIONS UNDER APPLICABLE EXPORT CONTROL LAWS AND REGULATIONS.

DRAWN BY:	DLC
DATE:	11-01-1999
APPROVED BY:	DRB
DATE:	11-01-1999
REFERENCE:	
THIRD ANGLE PROJECTION	

REGAL™ Regal Beloit America, Inc.	
DESCRIPTION	MODEL-RFHP-42FR OUTLINE
MATERIAL	
PROCESS/FINISH	
SIZE (DWG NO)	DA3D7209
SHEET	1