

# PRODUCT INFORMATION PACKET



Model No: 606  
Catalog No: 606  
1/15 HP Refrigeration Motor, 1050 RPM, 115 Volts, 42 Frame, OAO  
Refrigeration Motors



Regal and Century are trademarks of Regal Rexnord Corporation or one of its affiliated companies.  
©2021 Regal Rexnord Corporation, All Rights Reserved. MC017097E





**Nameplate Specifications**

Output HP	1/15 Hp	Output KW	0.05 kW
Frequency	60 Hz	Voltage	115 V
Current	230 A	Speed	1050 rpm
Service Factor	1	Phase	1
Duty	Continuous Air Over	Insulation Class	A
Frame	42	Enclosure	Open Air Over
Thermal Protection	Thermally Protected	Ambient Temperature	40 °C
UL	Recognized	CSA	Y
CE	N	Number of Speeds	1

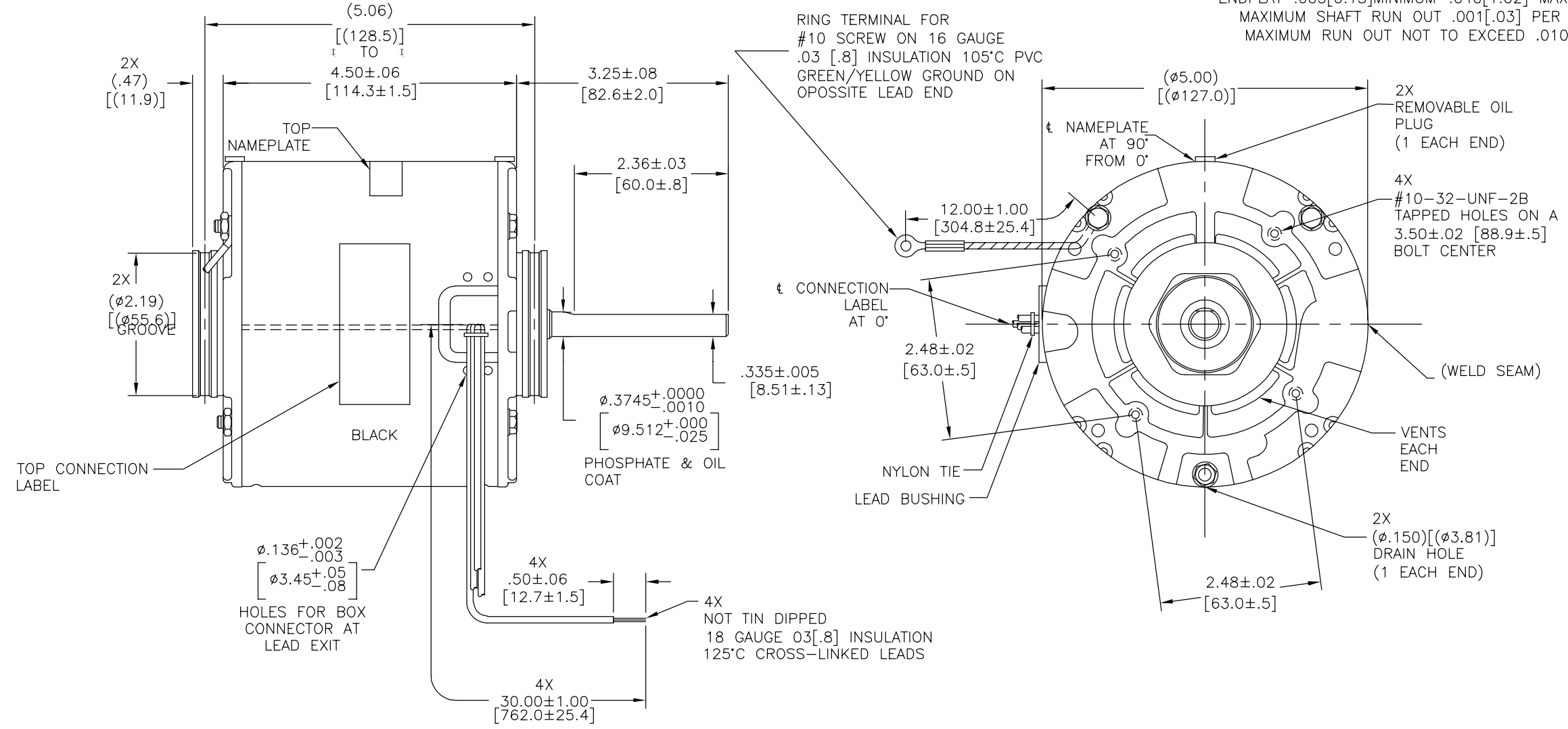
**Technical Specifications**

Electrical Type	Shaded Pole	Starting Method	Across The Line
Poles	6	Rotation	Clockwise Shaft End
Mounting	Resilient Rings	Motor Orientation	Horizontal
Drive End Bearing	Sleeve	Opp Drive End Bearing	Sleeve
Frame Material	Rolled Steel	Shaft Type	Flat
Overall Length	8.87 in	Frame Length	3.92 in
Shaft Diameter	0.375 in	Shaft Extension	3 1/4 in
Outline Drawing	DA3E7265-S01		

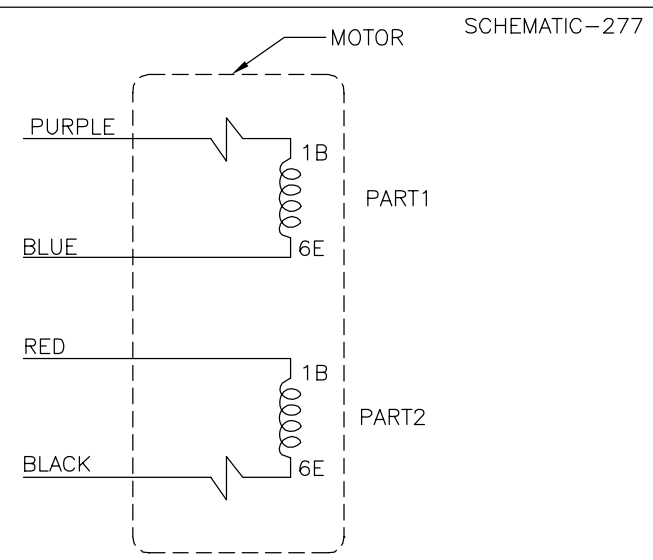
This is an uncontrolled document once printed or downloaded and is subject to change without notice. Date Created:10/12/2021

CUSTOMER IS SOLELY RESPONSIBLE FOR MOTOR PERFORMANCE AND SUITABILITY IN APPLICATIONS FOR CUSTOMER'S USES

ENDPLAY .005[0.13]MINIMUM-.040[1.02] MAXIMUM  
 MAXIMUM SHAFT RUN OUT .001[.03] PER INCH  
 MAXIMUM RUN OUT NOT TO EXCEED .010[.25]



CONNECTION LABEL  
63T7432-180



COLOR CODE	
115 V	PURPLE & RED TO LINE BLUE & BLACK TO LINE
230 V	PURPLE TO ONE LINE BLACK TO OTHER LINE RED & BLUE TOGETHER & INSULATION

ELECTRICALLY PER  
SAMPLE S-7513D

ROT: CWLE-CWSE

NAMEPLATE DATA:

**Century** Tipp City, OH THERMALLY PROTECTED

SER. DATE & PO# PLT LTR MOD DA3E265N# STK NO. 606  
 VOLTS 115/230 HZ 60 AMPS 3.8/1.9  
 RPM 1050 SP PH1 CAP  
 INS CL AMB °C HP 1/15 CONT A.O. ROTATION →  
 BRG SLV MECH. REV. ASSEMBLED IN MEXICO

**REGAL** Regal Beloit America, Inc.

MODEL-RFHP-42FR  
OUTLINE

THIRD ANGLE PROJECTION

SIZE DWG NO DA3E7265 SHEET 1

DRAWING REVISION M	REVISION BY E.CONG	DATE 03-13-2015	TOLERANCES UNLESS OTHERWISE SPECIFIED
ECO-0073510	APPROVED BY C.ZHANG	DATE 03-13-2015	DEC. INCH mm ANGLE
SEE ECO			.X ±0.1 (±2.5) ±0.5°
			.XX ±0.02 (±0.51)
			.XXX ±0.005 (±0.127)
			.XXXX ±0.0005 (±0.0127)
			REMOVE BURRS & BREAK SHARP EDGES .003/015 (0.076/3.81)
			CORNER FILLETS .02 (1.51)
			MACHINED SURFACES $\frac{125}{\text{INCH}} \sqrt{\text{mm}} \frac{32}{\text{mm}}$
			mm SHOWN IN [BRACKETS]

COPYRIGHT REGAL BELOIT AMERICA, INC. ALL RIGHTS RESERVED. PROPRIETARY AND CONFIDENTIAL INFORMATION - THIS DOCUMENT IS THE PROPERTY OF REGAL BELOIT AMERICA, INC. (OWNER) AND CONTAINS OWNER'S PROPRIETARY INFORMATION. ANY PERSON, CORPORATION OR OTHER FIRM RECEIVING IT IS DEEMED, BY RECEIVING IT, TO AGREE THAT IT, AND/OR ANY PART OF IT, SHALL NOT BE DISCLOSED TO ANY PERSON, CORPORATION OR OTHER ENTITY, DUPLICATED, AND/OR USED, EXCEPT AS EXPRESSLY APPROVED IN WRITING IN ADVANCE BY OWNER. THIS DOCUMENT SHALL BE RETURNED TO OWNER UPON REQUEST. IT MAY BE SUBJECT TO CERTAIN RESTRICTIONS UNDER APPLICABLE EXPORT CONTROL LAWS AND REGULATIONS.