

PRODUCT INFORMATION PACKET



Model No: 640
Catalog No: 640
Fan Coil & Air Conditioner Motor, 1/20, 1/40, 1/50 HP, 1 Ph, 60 Hz, 115 V, 1050 RPM, 3 Speed,
42 Frame, OAO



Regal and Century are trademarks of Regal Rexnord Corporation or one of its affiliated companies.
©2023 Regal Rexnord Corporation, All Rights Reserved. MC017097E





Nameplate Specifications

Phase	1	Output HP	1/20, 1/40, 1/50 Hp
Output KW	0.04 kW	Voltage	115 V
Speed	1050 rpm	Service Factor	1
Frame	42	Enclosure	Open Air Over
Thermal Protection	Automatic	Ambient Temperature	40 °C
Frequency	60 Hz	Current	2.6 A
Duty	Continuous Air Over	Insulation Class	A
UL	Recognized	CSA	Y
CE	N	Number of Speeds	3

Technical Specifications

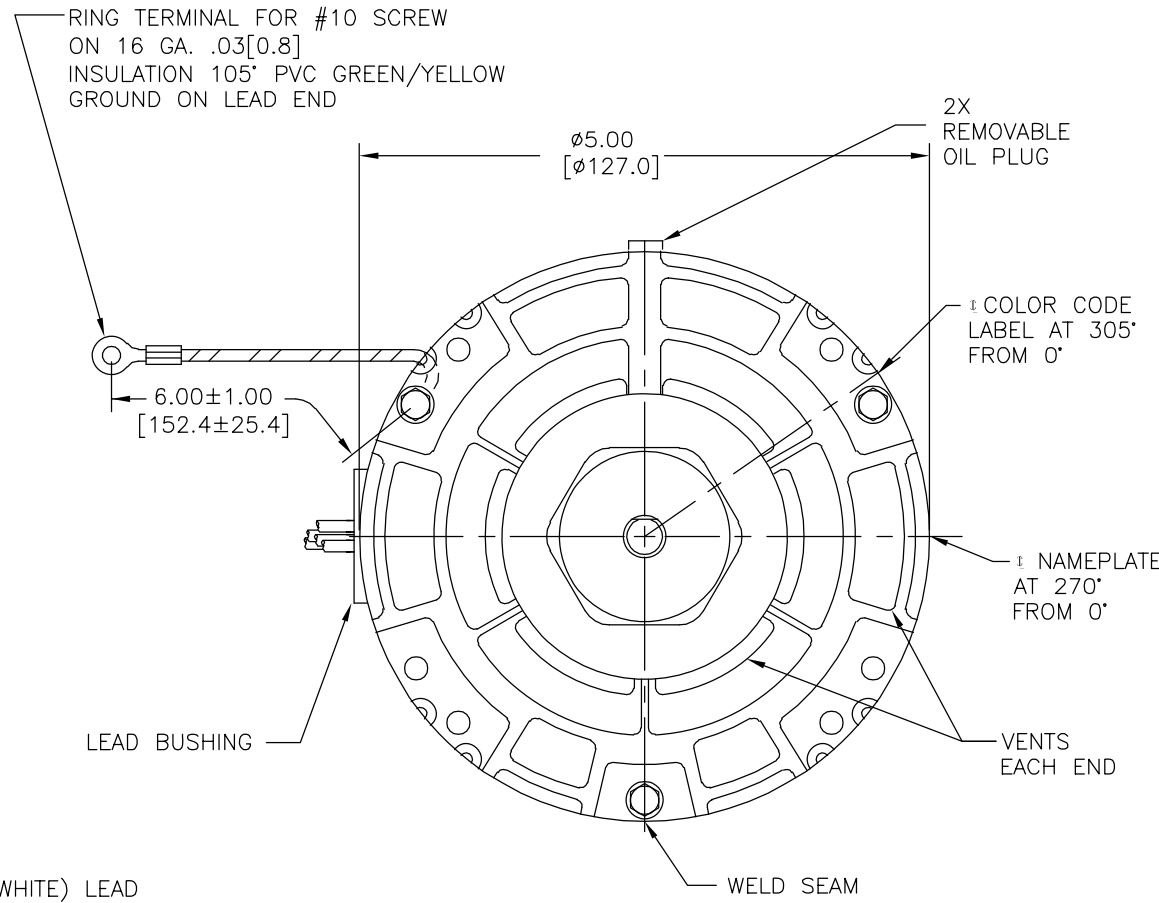
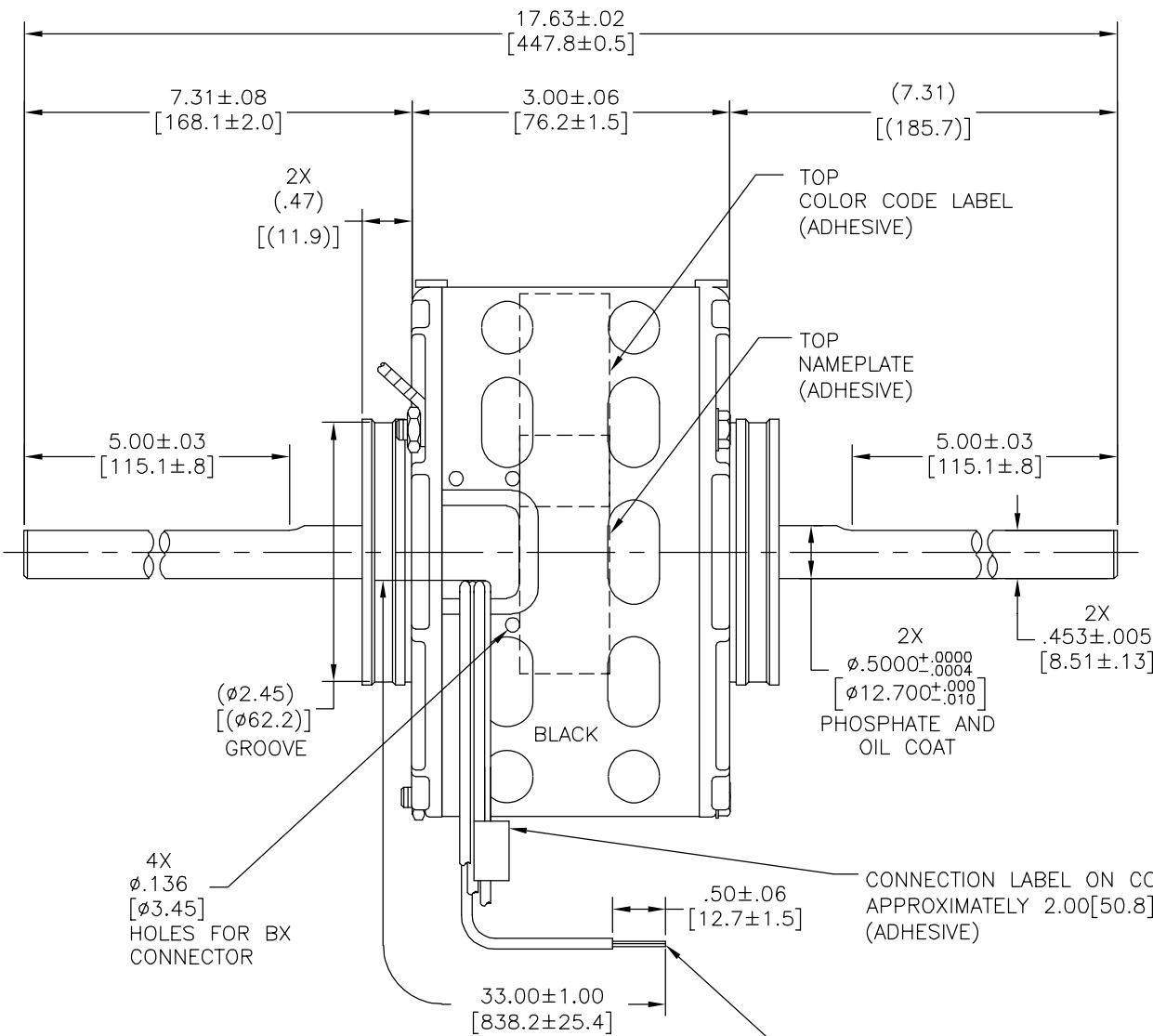
Electrical Type	Shaded Pole	Starting Method	Across The Line
Poles	6	Rotation	Clockwise Lead End
Mounting	Resilient Rings	Motor Orientation	Horizontal
Drive End Bearing	Sleeve	Opp Drive End Bearing	Sleeve
Frame Material	Rolled Steel	Shaft Type	Flat
Overall Length	17.63 in	Frame Length	2.42 in
Shaft Diameter	0.500 in	Shaft Extension	7 5/16 in
Outline Drawing	640-S01		

This is an uncontrolled document once printed or downloaded and is subject to change without notice. Date Created:08/24/2023

CUSTOMER IS SOLELY RESPONSIBLE FOR MOTOR PERFORMANCE AND SUITABILITY IN APPLICATIONS FOR CUSTOMER'S USES

REV	ECO	REV BY	DATE	APPD	DATE
E	0029000	I.ORTIZ	10-16-2012	M.AVILA	10-16-2012

END PLAY .005[0.13] MIN - .040[1.02] MAX
 MAX. SHAFT RUNOUT .001[.03] PER INCH
 MAX. RUNOUT NOT TO EXCEED .010[0.25]



CONNECTION LABEL
63T283-8

ROT.:— CWLE

NAMEPLATE DATA:

Century Tipp City, OH
THERMALLY PROTECTED

SER. DATE & PO# PLT LTR MOD DA3D216N# STK NO. 640

VOLTS 115 HZ 60 AMPS

RPM 1050 SP PH CAP

INS CL AMB °C HP CONTINUOUS AO ROT

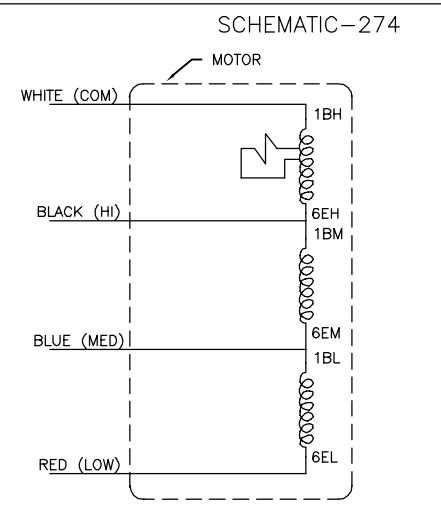
BRG SLV

ASSEMBLED IN MEXICO

ELECTRICALLY
PER S-9218E

63T452-14

BLACK-HI	2.6A	1/20HP
BLUE-MED	1.5A	1/40HP
RED-LO	1.0A	1/50HP
WHITE-COMMON		



GEOMETRIC CHARACTERISTICS & SYMBOLS

- FLATNESS
- STRAIGHTNESS
- ∠ ANGULARITY
- ⊥ PERPENDICULARITY (SQUARENESS)
- ∥ PARALLELISM
- ROUNDNESS (CIRCULARITY)
- ⊘ CYLINDRICITY
- △ PROFILE OF ANY SURFACE
- ▽ PROFILE OF ANY LINE
- ↗ RUNOUT
- ⊕ TRUE POSITION
- ◎ CONCENTRICITY
- ≡ SYMMETRY

ASME Y14.5M 1994

UNLESS OTHERWISE SPECIFIED
DIM. TOLERANCES ARE AS FOLLOWS:

INCH	±.1	±.02	±.005	±.0005
mm	±0.5	±0.13	±0.013	

ANG. ±.50 DEG
 REMOVE BURRS & BREAK SHARP EDGES:
 INCH .003-.015 mm 0.1-0.4
 CORNER FILLETS TO:
 INCH .020 mm 0.5
 MACHINE SURFACES:
 INCH 125 mm 3.2

METRIC DIMS. SHOWN IN [BRACKETS]

DR BY: TLB 06-01-2001

APPD: DRB

THIRD ANGLE PROJECTION

EDS DATE 11-11-2011
 FORMAT REV H

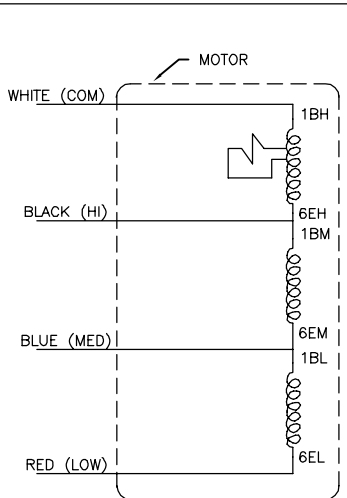
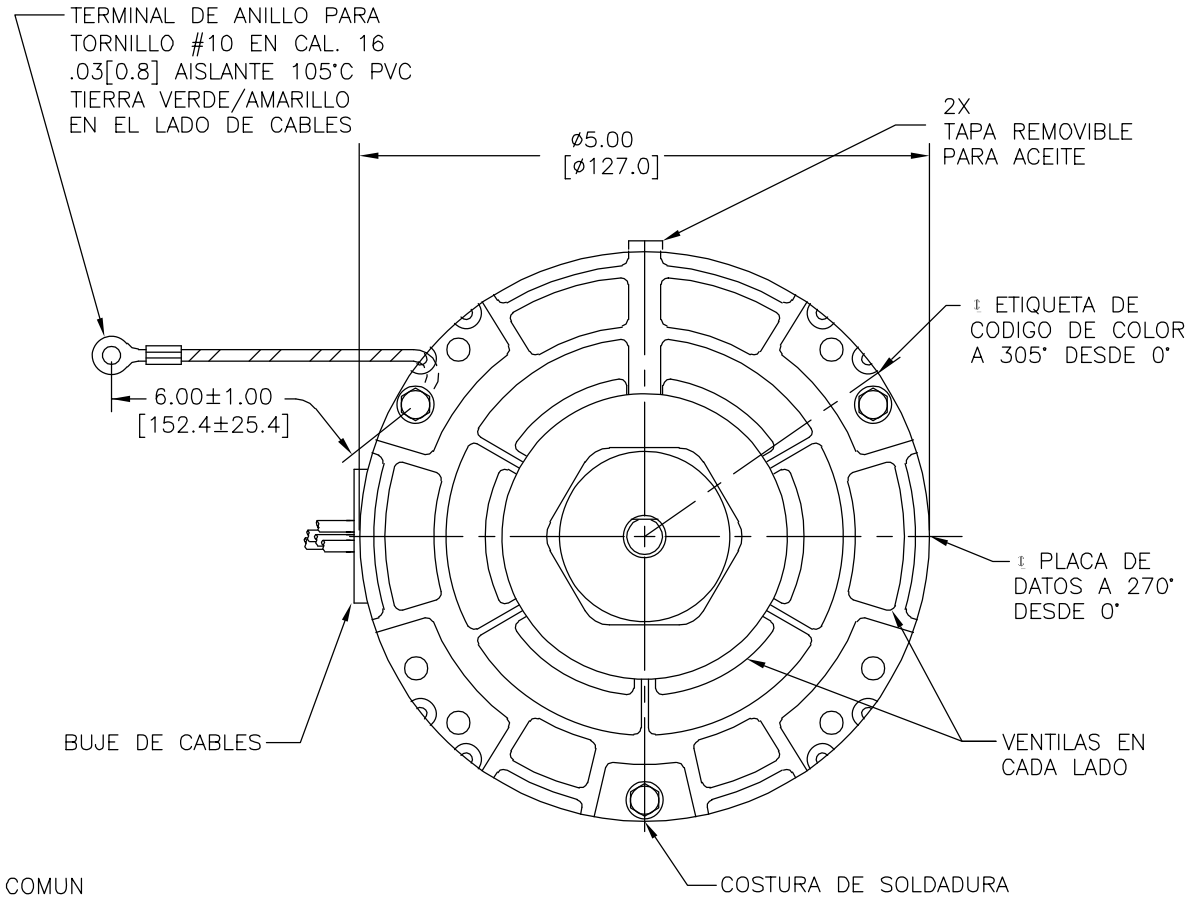
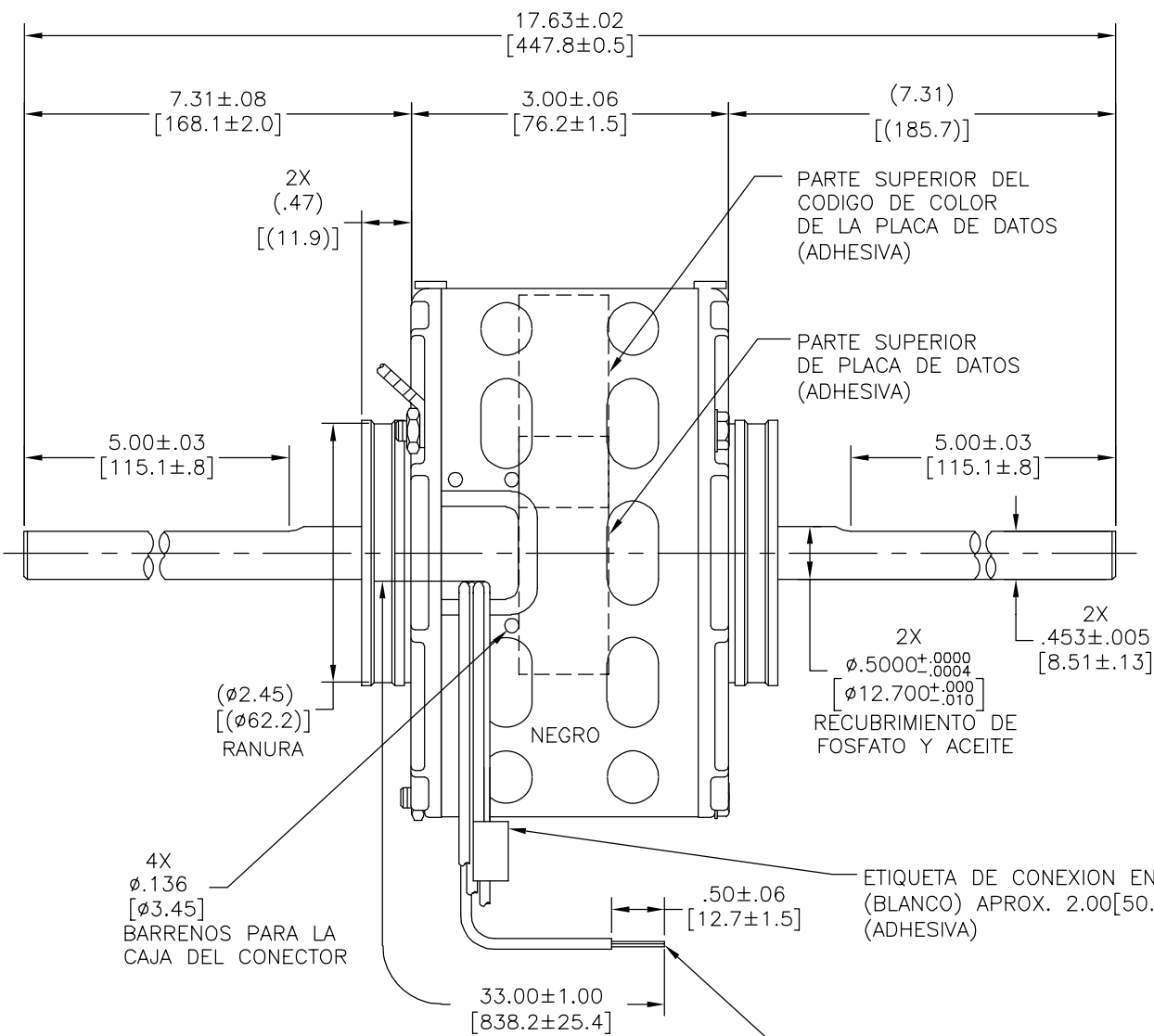
CONFIDENTIAL: THIS DRAWING AND ITS INFORMATION ARE THE EXCLUSIVE AND CONFIDENTIAL PROPERTY OF REGAL-BELOIT CORPORATION AND ARE NOT TO BE DISCLOSED, DUPLICATED, DISTRIBUTED OR OTHERWISE USED WITHOUT THE WRITTEN CONSENT OF REGAL-BELOIT CORPORATION. -ALL RIGHTS RESERVED.

REGAL REGAL-BELOIT CORPORATION	
DESCRIPTION MODEL-RFHP-42FR OUTLINE	
SIZE C	DWG NO 640
SCALE NONE	SHEET 1

EL CLIENTE ES TOTALMENTE RESPONSABLE DEL DESEMPEÑO DEL MOTOR Y DE LAS ADECUADAS APLICACIONES PARA EL USO DE LOS CLIENTES

REVISION:	ECO	REVISADO POR:	FECHA:	APROBADO POR:	FECHA:
E	0029000	I.ORTIZ	10-16-2012	M.AVILA	10-16-2012

JUEGO AXIAL .005[.13] MIN - .040[1.02] MAX
 MAXIMA OSCILACION DE FLECHA .001[.03] POR PULGADA
 MAXIMA OSCILACION, NO DEBE EXCEDER .010[0.25]



63T452-14
 NEGRO-ALTA 2.6A 1/20HP
 AZUL-MED 1.5A 1/40HP
 ROJO-BAJA 1.0A 1/50HP
 BLANCO-COMUN

CARACTERISTICAS DE GEOMETRIA Y SIMBOLOS
 ▽ PLANICIDAD
 - RECTITUD
 < ANGULARIDAD
 ⊥ PERPENDICULARIDAD (A ESCUADRA)
 // PARALELISMO
 ○ REDONDEZ (CIRCULARIDAD)
 ∅ CILINDRICIDAD
 △ PERFIL DE CUALQUIER SUPERFICIE
 ∇ PERFIL DE CUALQUIER LINEA
 ∠ VARIACION
 ⊕ POSICION REAL
 ⊙ CONCENTRICIDAD
 = SIMETRIA

A MENOS QUE SE ESPECIFIQUE DE OTRA MANERA, LAS TOLERANCIAS DE LAS DIMS; SON LAS SIGUIENTES:
 PULG ±.1 ±.02 ±.005 ±.0005
 mm ±0.5 ±0.13 ±0.013
 ANG. ± 50 GRADOS
 ELIMINAR REBABAS Y ORILLAS FILOSAS DEL BORDE.
 PULG .003-.015 mm 0.1-0.4
 FILETEAR ESQUINA: PULG .020 mm 0.5
 MAQUINAR SUPERFICIES
 PULG 125 mm 3.2

DIBUJADO POR: TLB 06-01-2001
 APROBADO POR: DRB
 TERCER ANGULO DE PROYECCION
 FECHA EDS: 11-11-2011
 REV. FORMATO: H
 CONFIDENCIAL: ESTE DIBUJO Y SU INFORMACION SON PROPIEDAD DE USO EXCLUSIVO Y CONFIDENCIAL DE REGAL-BELOIT CORPORATION. Y NO DEBERAN SER REVELADOS, DUPLICADOS, DISTRIBUIDOS O USARSE DE OTRA MANERA SIN EL CONSENTIMIENTO ESCRITO DE REGAL-BELOIT CORPORATION. -TODOS LOS DERECHOS RESERVADOS.

ROT.: - CWLE

NAMEPLATE DATA:
 Tipp City, OH
 THERMALLY PROTECTED
 SER. DATE & PO# PLT LTR MOD DA3D216N# STK NO. 640
 VOLTS 115 HZ 60 AMPS
 RPM 1050 SP PH CAP
 INS CL AMB °C HP CONTINUOUS AO ROT
 BRG SLV

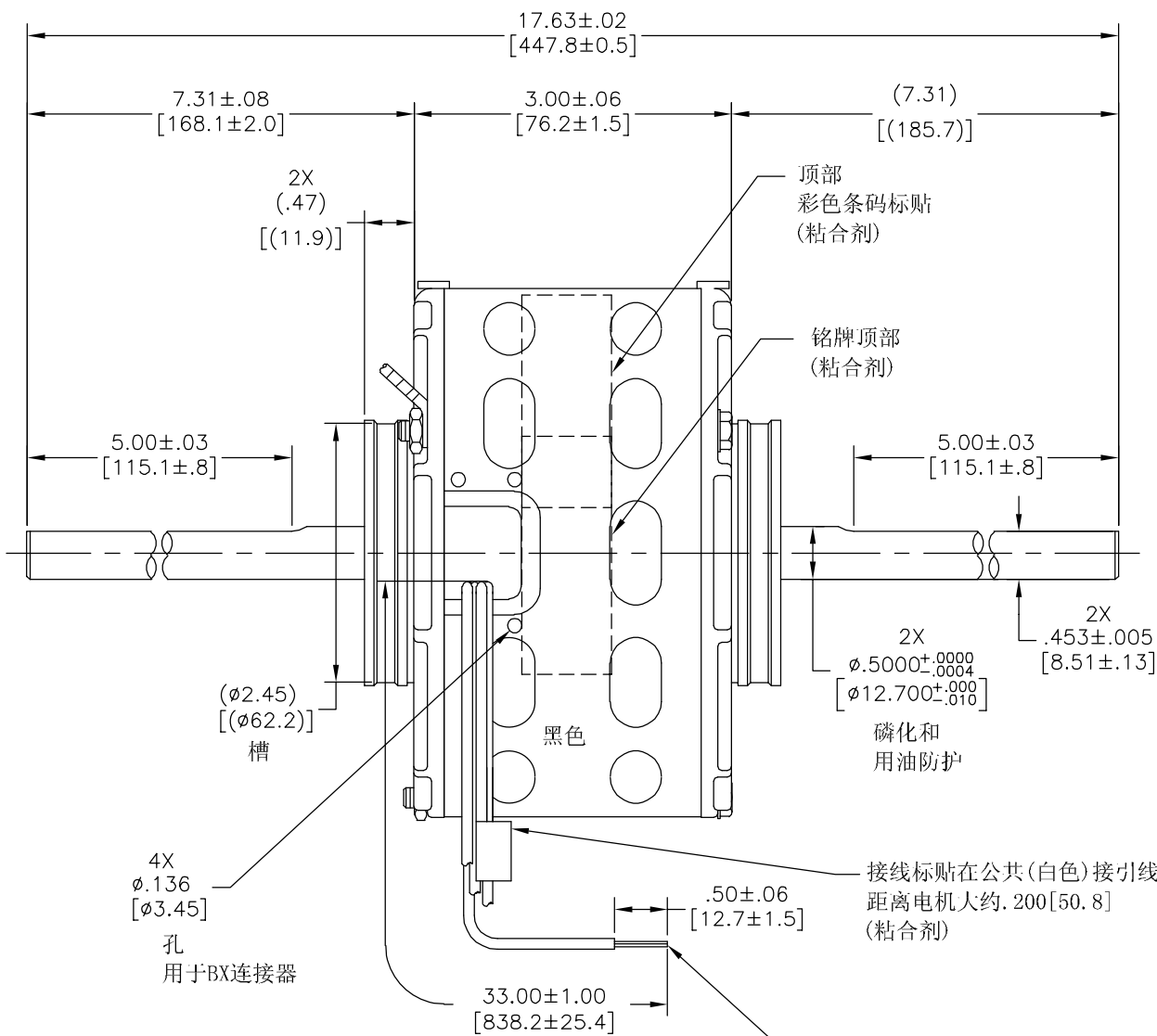
ASSEMBLED IN MEXICO

REGAL REGAL-BELOIT CORPORATION
 DESCRIPCION: MODEL-RFHP-42FR OUTLINE
 TAMAÑO: C NUMERO DE DIBUJO: 640
 ESCALA: NONE HOJA: 1

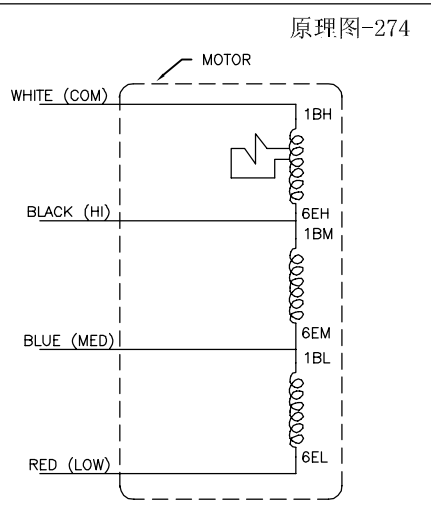
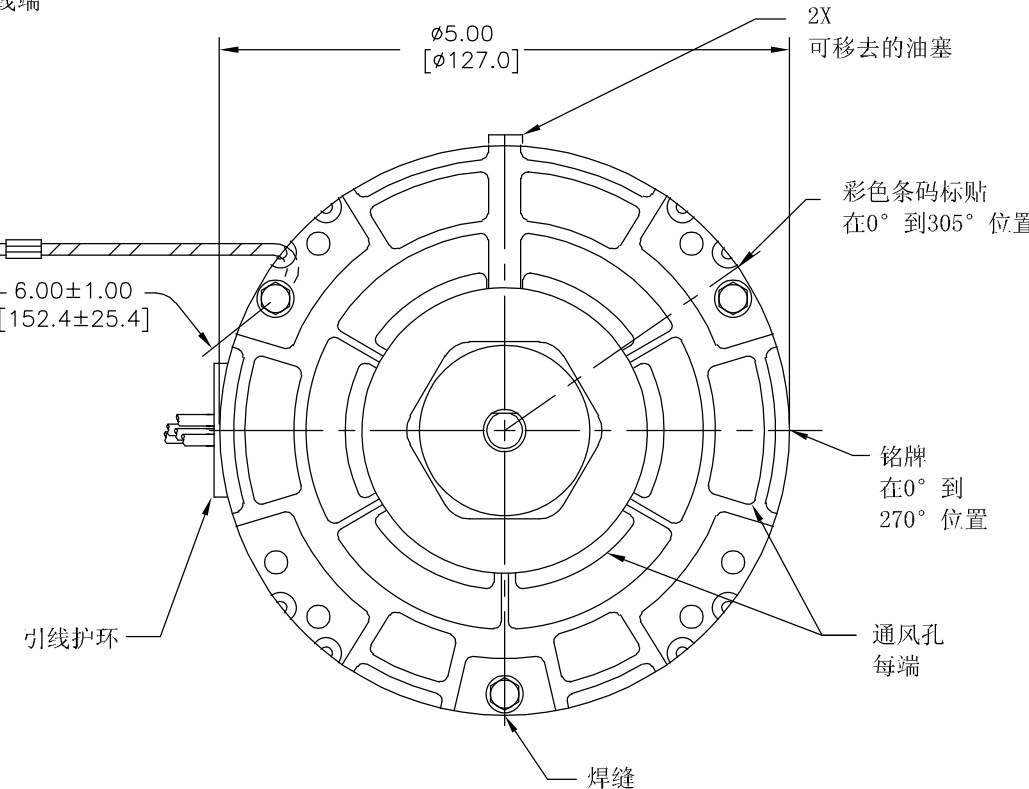
客户全权负责电机的性能和适用性。

版本	ECO	编制	日期	批准	日期
E	0029000	I.ORTIZ	10-16-2012	M.AVILA	10-16-2012

端部窜动量.005[.13] 最小-.040[1.02]最大
最大轴跳动.001[.03]每英寸
最大跳动不超过.010[.25]



环形端子 (配合10号螺钉)
安装在16号 (美制标准) .03[.8]
绝缘105° C PVC 绿/黄接地线
在引线端



63T452-14
黑-高 2.6安培 1/20马力
蓝-中 1.5安培 1/40马力
红-低 1.0安培 1/50马力
白-公共

ROT.:— CWLE

NAMEPLATE DATA:

Century Tipp City, OH
THERMALLY PROTECTED

SER. DATE & PO# PLT LTR MOD DA3D216N# STK NO. 640

VOLTS 115 HZ 60 AMPS

RPM 1050 SP PH CAP

INS CL AMB °C HP CONTINUOUS AO ROT

BRG SLV

ASSEMBLED IN MEXICO

电气数据参考
S-9218E

形位公差 □ 平面度 — 直线度 ∠ 倾斜度 ⊥ 垂直度 ∥ 平行度 ○ 圆度 ⊘ 圆柱度 ⊙ 面轮廓度 ⊖ 线轮廓度 ↗ 圆跳动 ⊕ 位置度 ⊙ 同轴度 ≡ 对称度	除另有注明 尺寸公差如下: 英寸 X XX XXX XXXX ±.1 ±.02 ±.005 ±.0005 毫米 ±0.5 ±0.13 ±0.013 角度 ±.50度 清理毛刺和尖棱 英寸 .003-.015 毫米 0.1-0.4 内圆角 英寸 .020 毫米 0.5 表面粗糙度 英制 125 米制 3.2
--	--

ASME Y14.5M 1994 米制尺寸显示在L

绘图: TLB	06-01-2001
批准: DRB	
第三角投影	图纸格式发布日期 11-11-2011 图纸格式版本 H
机密: 本图纸及相关信息所有权归REGAL-BELOIT CORPORATION 未经REGAL-BELOIT CORPORATION书面授权, 不得泄露、 复制、传播或作其他用途。—版权所有	

REGAL REGAL-BELOIT CORPORATION	
名称	MODEL-RFHP-42FR OUTLINE
图幅	图号
C	640
比例	NONE
页号	1