

PRODUCT INFORMATION PACKET



Model No: 6439191264
Catalog No: 6439191264
Boat Hoist Duty Motor, 2 HP, 1 Ph, 60 Hz, 115/230 V, 1800 RPM, 56C Frame, TENV



Regal and LEESON are trademarks of Regal Rexnord Corporation or one of its affiliated companies.
©2025 Regal Rexnord Corporation, All Rights Reserved. MC017097E



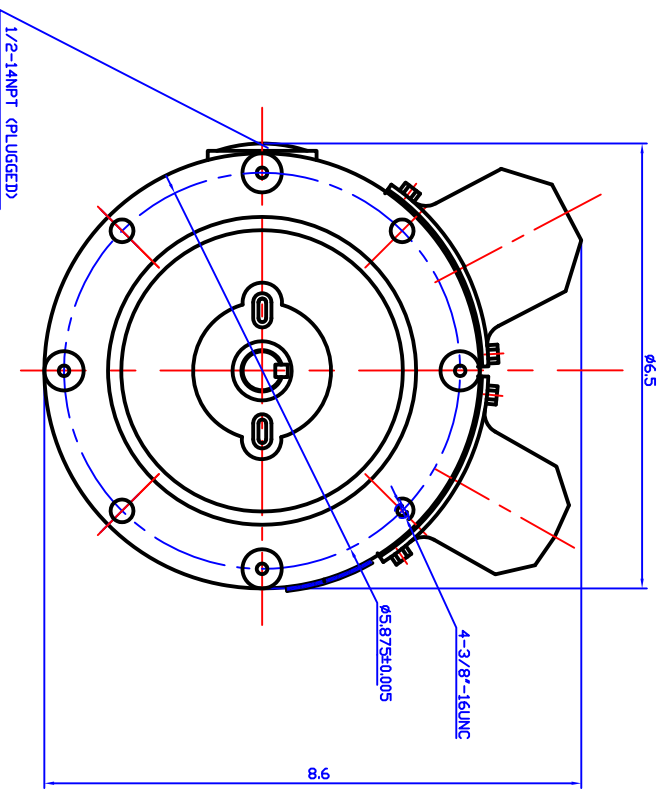
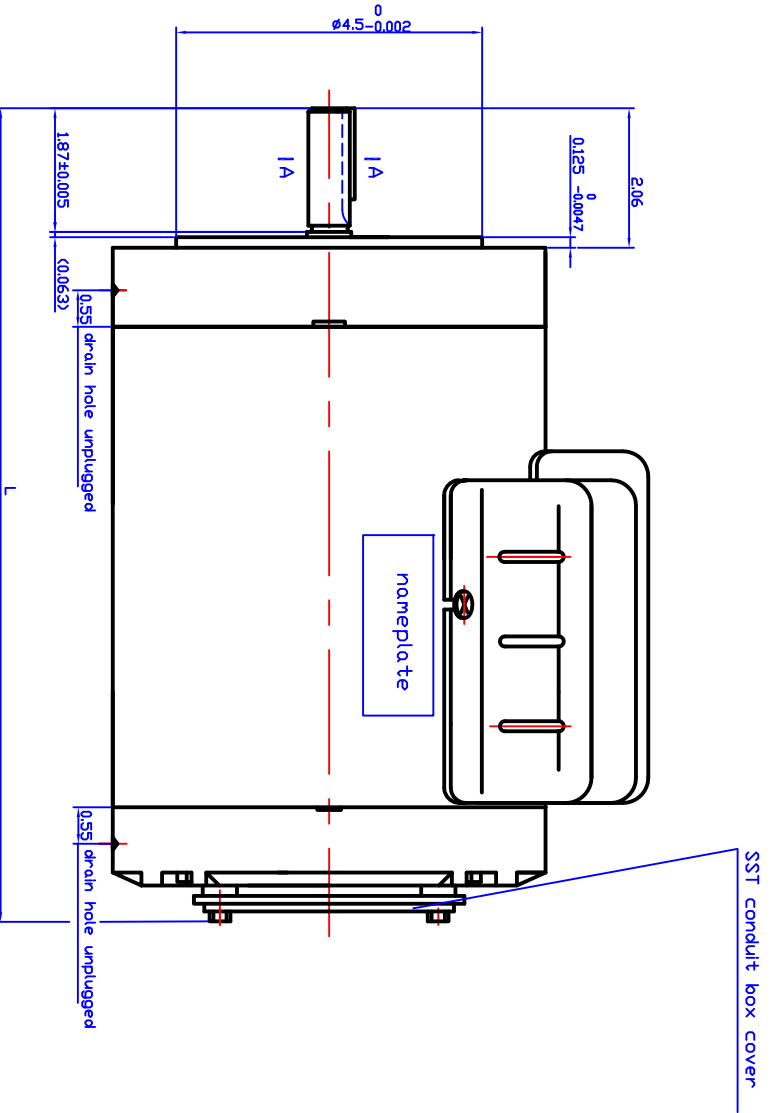
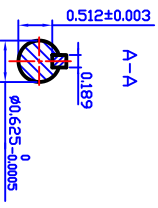


Nameplate Specifications

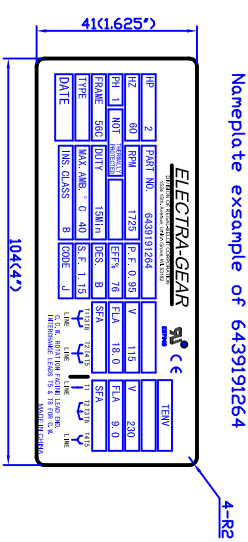
Phase	1	Output HP	2 Hp
Output KW	1.5 kW	Voltage	115/230 V
Speed	1725 rpm	Service Factor	1.15
Frame	56C	Enclosure	Totally Enclosed Non Ventilated
Thermal Protection	No Protection	Efficiency	76 %
Ambient Temperature	40 °C	Frequency	60 Hz
Current	18.0/9.0 A	Power Factor	95
Duty	15 Minute	Insulation Class	B
Design Code	N	KVA Code	J
Drive End Bearing Size	6203	Opp Drive End Bearing Size	6203
UL	Recognized	CSA	Y
CE	Y	IP Code	43
Number of Speeds	1		

Technical Specifications

Electrical Type	Capacitor Start Capacitor Run	Starting Method	Across The Line
Poles	4	Rotation	Selective Counterclockwise
Resistance Main	0 Ohms	Mounting	Round
Motor Orientation	Horizontal	Drive End Bearing	Ball
Opp Drive End Bearing	Ball	Frame Material	Stainless Steel
Shaft Type	NEMA 56	Overall Length	13.40 in
Frame Length	7.68 in	Shaft Diameter	0.625 in
Shaft Extension	1.88 in	Assembly/Box Mounting	F1 ONLY
Outline Drawing	169993.00	Connection Drawing	005054.01



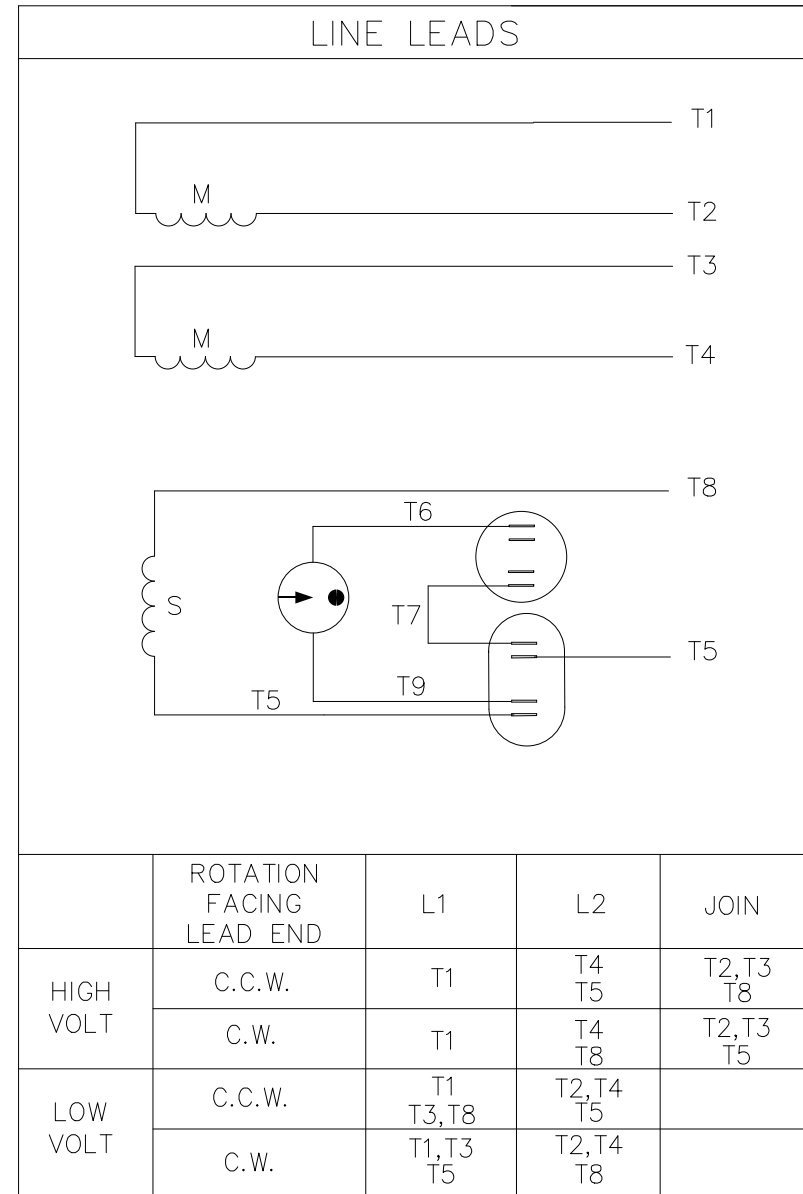
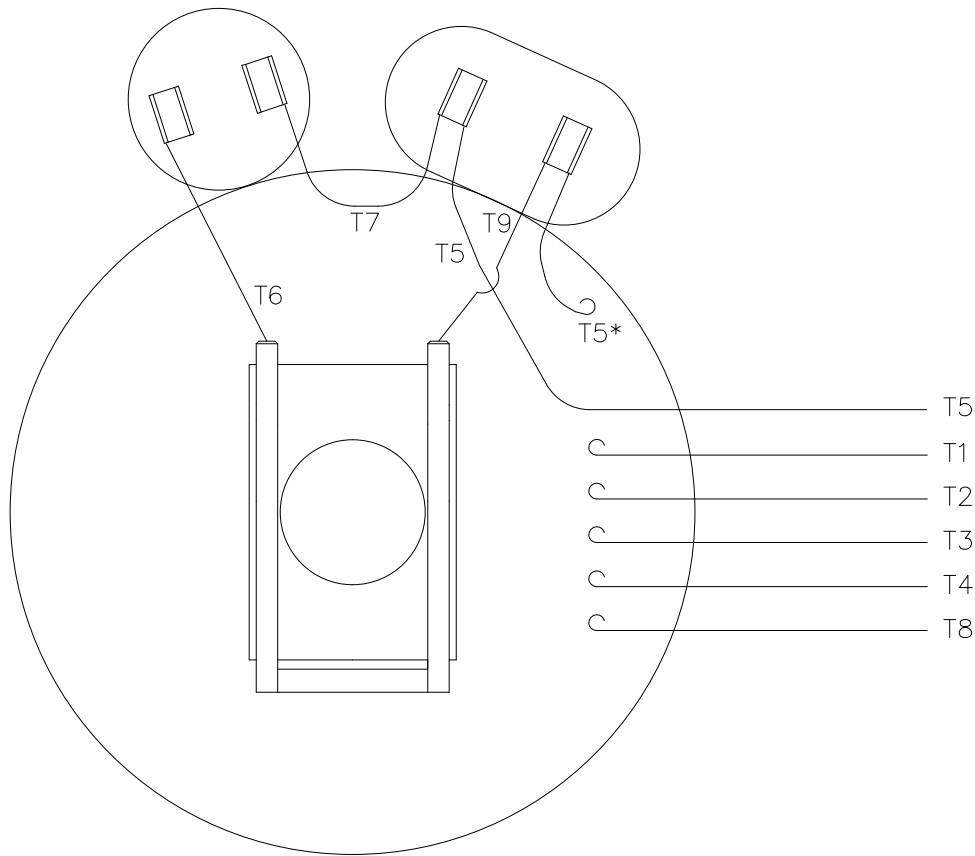
Electra.Cat	FRAME	HP	Volt	RPM	HZ	PH	Encl.	S.F	Duty	thermal protector	L
6439191263	56C	1.5	115/230	1725	60	1	TENV	1.15	15Min.	N/A	12.6
6439191264	56C	2	115/230	1725	60	1	TENV	1.15		N/A	13.4



- Note:
1. The capacitor leads to be connected using flag terminals.
 2. All the hardwares are using SST..
 3. Drain holes at 6:00.
 4. C flange mounting holes have plugs.


TOLERANCES UNLESS OTHERWISE SPECIFIED		DRAWN		TITLE	
		APPR.		6439191263, 6439191264 outline drawing	
		R.F.P.		CUSTOMER	
		SCALE		DATE 2009.9.29	
		REF.		REV.	
		FWF		DRAWING NO. 169993.00	
THIS DRAWING IN DESIGN AND DETAIL IS OUR PROPERTY AND MUST NOT BE USED EXCEPT IN CONNECTION WITH OUR WORK ALL RIGHTS OF DESIGN AND INVENTION ARE RESERVED THIS IS AN ELECTRONICALLY GENERATED DOCUMENT - DO NOT SCALE THIS PRINT		REVISION BY & DATE CHK'D.			

VIEW FROM OUTSIDE OF MOTOR AT SWITCH END.



* THIS LEAD MAY BE WHITE

	ROTATION FACING LEAD END	L1	L2	JOIN
HIGH VOLT	C.C.W.	T1	T4 T5	T2,T3 T8
	C.W.	T1	T4 T8	T2,T3 T5
LOW VOLT	C.C.W.	T1 T3,T8	T2,T4 T5	
	C.W.	T1,T3 T5	T2,T4 T8	

				TOLERANCES UNLESS SPECIFIED		 Regal Beloit America, Inc.		DRAWN JRW 09/27/74			
				DEC.	INCHES			CHK TEM	APPD 10/11/74		
12	CHG FROM LEESON TO RRX TEMPLATE AS PER ECR-0237142	KVDG 09/17/24	DS	.X	±.1	TITLE EXT. WIRING DIAGRAM TYPE "K" W/O PROTECTOR MAT'L. DECAL-004012 FINISH		SCALE 1=1	REF A-005053		
11	ALTERNATE T5 LEAD MARKING WAS RED	RLW 8/6/02	.XX	±.01	FPM			CAD FILE 00505401	SIZE A	DRAWING NO. 005054-01	REV. 12
10	ADDED ALTERNATE T5 LEAD MARKING	RLW 6/5/02	KH	.XXX	±.005			4 of 6			
09	REDRAWN TO CAD	DBT 05/28/97	.XXXX	±.0005	DIST BRF-NLV						
NO.	REVISION	BY & DATE	CHK	ANG	±1/2"						

THIS DRAWING IN DESIGN AND DETAIL IS OUR PROPERTY AND MUST NOT BE USED EXCEPT IN CONNECTION WITH OUR WORK ALL RIGHTS OF DESIGN AND INVENTION ARE RESERVED THIS IS AN ELECTRONICALLY GENERATED DOCUMENT - DO NOT SCALE THIS PRINT



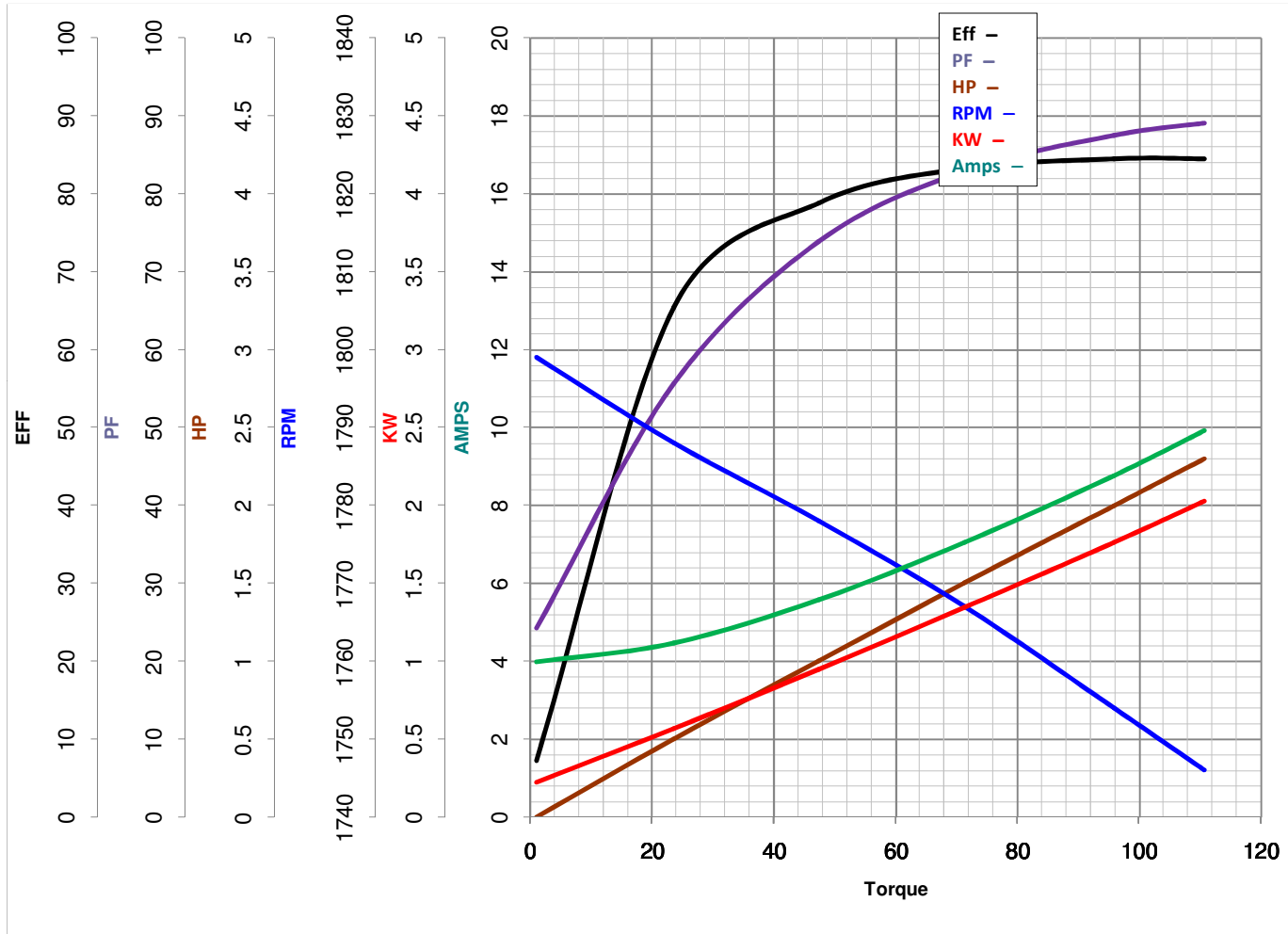
LEESON ELECTRIC CORPORATION
 TYPICAL PERFORMANCE CURVE for AC MOTOR

Model No 6439191264

Curve at 230 Volts HP 2.00 PHASE 1
60 HZ
2 HP VOLTS 115/230

Catalog No 6439191264

HZ 60 RPM 1725



Torque in Lb.Ft

FL TORQUE 5.988 Lb.Ft
 BD TORQUE 16.9 Lb.Ft
 LR TORQUE 13.79 Lb.Ft

FL AMPS 18.0/9.0
 PU TORQUE 11.3 Lb.Ft
 LR AMPS 69.3

WINDING QK63412-3

Date 3/26/2018

EC Declaration of Conformity

The undersigned representing
the manufacturer:

Regal Beloit America
1946 West Cook Road
Fort Wayne, IN 46818

and the authorized representative
established within the Community:

Regal Beloit Italy
Via Modena, 18
24040 Ciserano(BG) - Italy

are committed to providing customers with products that comply with applicable regulations and international protocols to which they are subject, including the requirements of the European Parliament Directive on the Harmonization of the laws relating to electrical equipment designed for use within certain voltage limits (2014/35/EU).

Regal Beloit America declares that the following product(s), to which this declaration relates, are in conformity with the relevant sections of the EC standards listed below.

This statement supersedes any statements previously issued pertaining to the product(s) listed below and is subject to change without notice.

Model No : 6439191264

(Model No. may contain prefix and/or suffix characters)

Catalog No : 6439191264

Rework No : N/A

Directives :

Low Voltage Directive 2014/35/EU

Harmonized Standards Used :

EN 60034-1: 2010 (IEC 60034-1: 2010)

EN 60034-5: 2001/A1:2007 (IEC 60034-5: 2000/A1:2006)

Authorized Representative:



Zach Stauffer
Vice President, Engineering

Authorized Representative in the Community:



Stefano Casiraghi
Technology Director, Engineering

Created on 07/08/2025

CE 25