

# PRODUCT INFORMATION PACKET



Model No: 6705  
Catalog No: 6705  
EVERGREEN® CM Fan and Blower Motor, 1/2 HP, 1 Ph, 60/50 Hz, 208-230/277 V, 1075 RPM, 1 Speed,  
48 Frame, OPAO



Regal and Genteq are trademarks of Regal Rexnord Corporation or one of its affiliated companies.  
©2026 Regal Rexnord Corporation, All Rights Reserved. MC017097E





### Nameplate Specifications

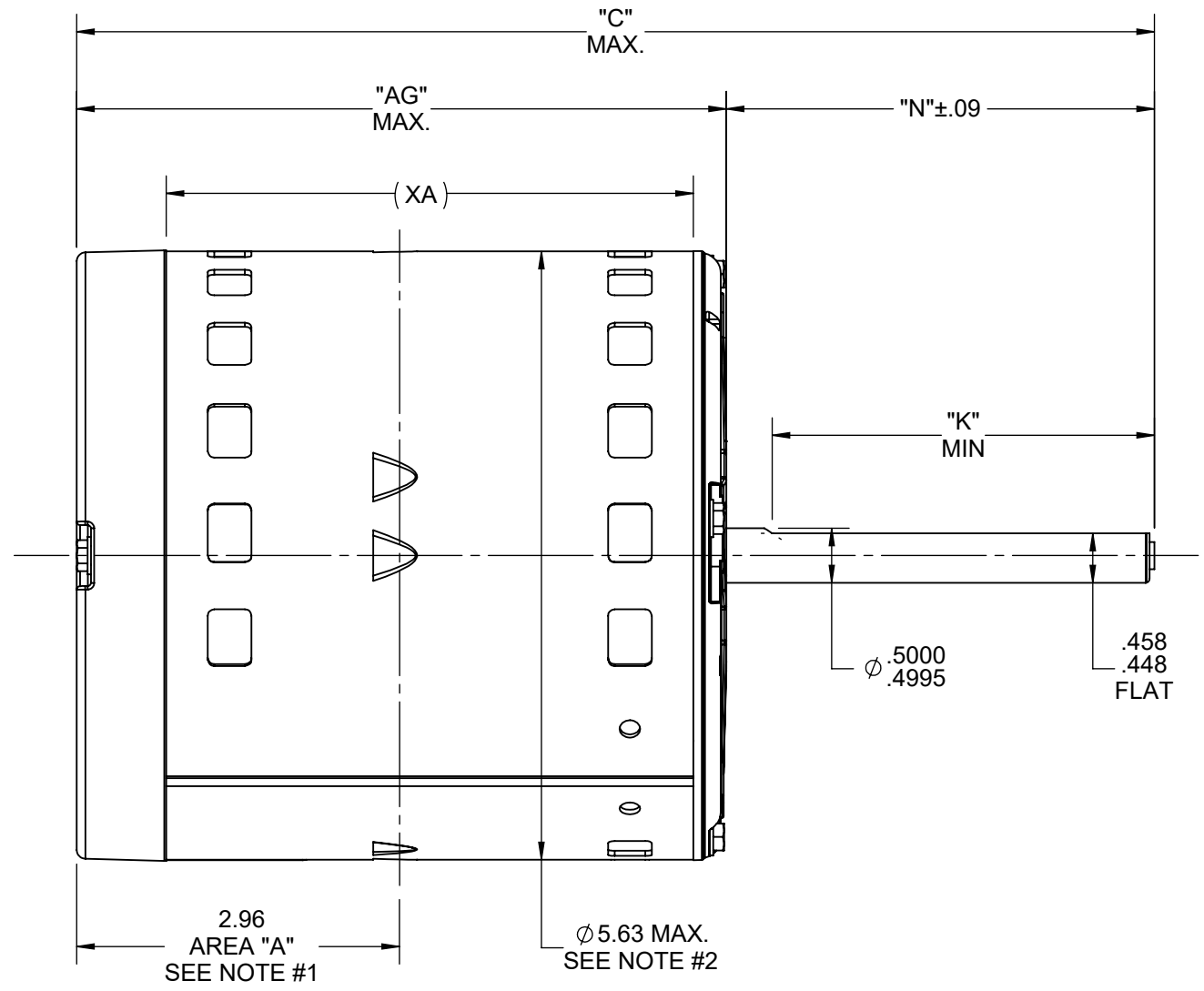
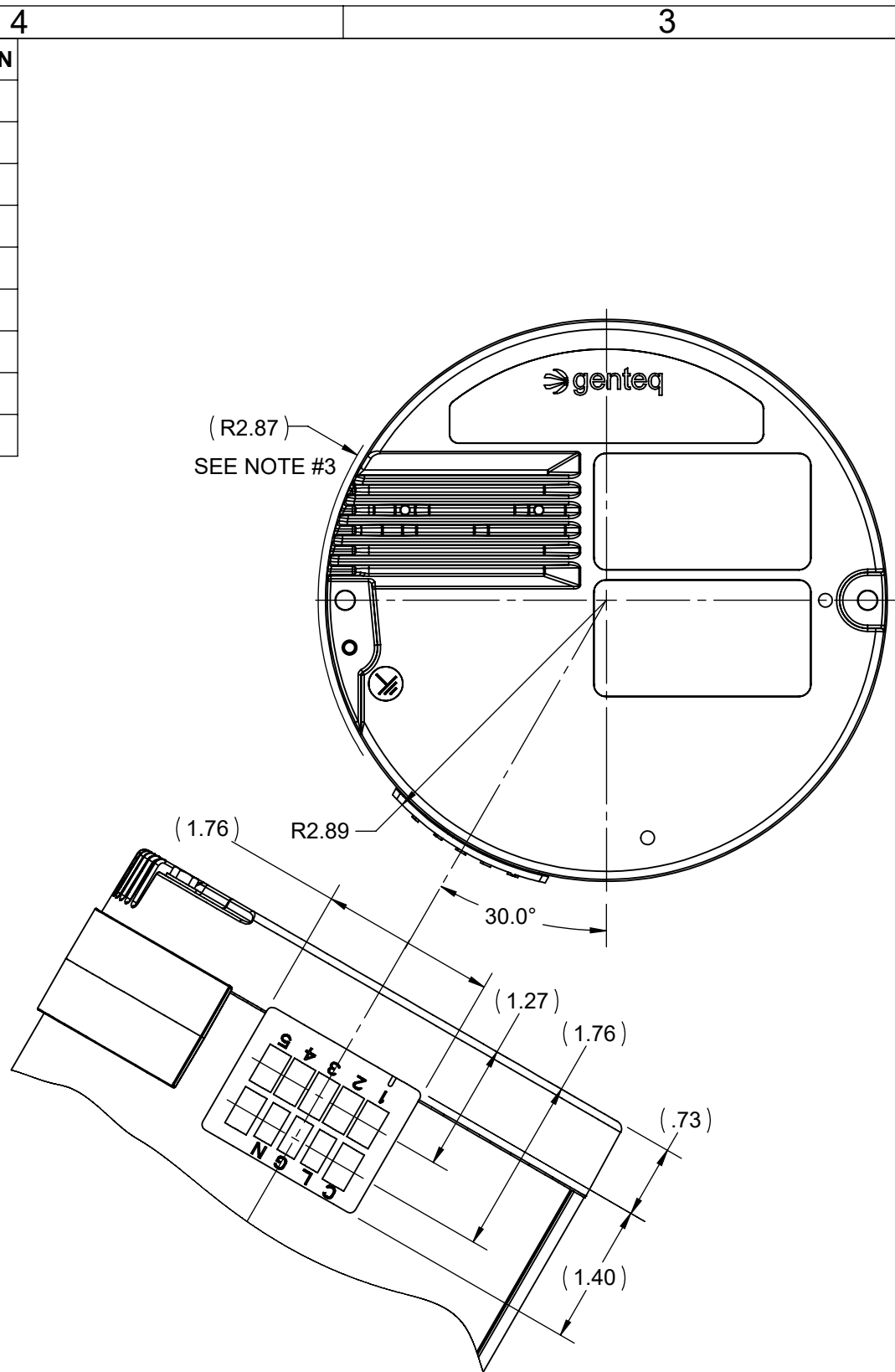
Phase	1	Output HP	1/2 Hp
Output KW	0.37 kW	Voltage	208-230/277 V
Speed	1075 rpm	Service Factor	1
Frame	48	Enclosure	Open Air Over
Thermal Protection	Automatic	Ambient Temperature	40 °C
Frequency	60/50 Hz	Current	4.1/3.6 A
Duty	Continuous Air Over	Insulation Class	B
UL	No	CSA	N
CE	N	Number of Speeds	1

### Technical Specifications

Electrical Type	Electronically Commutated Motor	Poles	10
Rotation	Counterclockwise/Clockwise	Mounting	Round
Motor Orientation	Hor	Drive End Bearing	Ball
Opp Drive End Bearing	Ball	Frame Material	Rolled Steel
Shaft Type	Flat	Overall Length	9.91 in
Frame Length	4.82 in	Shaft Diameter	0.500 in
Shaft Extension	3.92 in		
Connection Drawing	N/R	Outline Drawing	5SBA39FLP8272G

This is an uncontrolled document once printed or downloaded and is subject to change without notice. Date Created:02/20/2026

CONNECTOR ID	DESCRIPTION
C	SIGNAL COMMON
L	LINE 1
G	GROUND
N	LINE 2
1	LOW (PWM)
2	MED-LOW
3	MED
4	MED-HIGH
5	HIGH



- NOTES:
- BELLY BAND MUST NOT BE PLACED WITHIN AREA "A"
  - MAX. O.D. OF MOTOR AT SHELL WELD.
  - RADIUS TO OUTSIDE OF NFC COVER.

NAMEPLATE DATA	
MODEL	5SBA39FLP8272G
CUSTOMER	DEF PUR
CPN/STOCK NO.	STOCK NO 6705
H.P.	1/2
RPM	1075
VOLTS	208-230/277
HZ	60/50
MAX. AMPS	4.1/3.6
ROTATION	CCW/CW

VENTILATION SYSTEM	
SHELL VENTS	OPEN
MID SHIELD (LE)	OPEN
END SHIELD (OLE)	CLOSED

DRAWING REVISION AB	REVISION BY VB	REV DATE/© DATE 6/27/2025
REQUEST NUMBER NMR-0239680	APPROVED BY	DATE
REQUEST NUMBER DESCRIPTION UPDATED PER NMR-0239680		
<small>COPYRIGHT (PER REVISION DATE) REGAL BELOIT AMERICA, INC. ALL RIGHTS RESERVED. PROPRIETARY AND CONFIDENTIAL INFORMATION - THIS DOCUMENT IS THE PROPERTY OF REGAL BELOIT AMERICA, INC. ("OWNER") AND CONTAINS OWNER'S PROPRIETARY INFORMATION. ANY PERSON, CORPORATION OR OTHER FIRM RECEIVING IT IS DEEMED, BY RECEIVING IT, TO AGREE THAT IT, AND/OR ANY PART OF IT, SHALL NOT BE DISCLOSED TO ANY PERSON, CORPORATION OR OTHER ENTITY, DUPLICATED, AND/OR USED, EXCEPT AS EXPRESSLY APPROVED IN WRITING IN ADVANCE BY OWNER. THIS DOCUMENT SHALL BE RETURNED TO OWNER UPON REQUEST. IT MAY BE SUBJECT TO CERTAIN RESTRICTIONS UNDER APPLICABLE EXPORT CONTROL LAWS AND REGULATIONS.</small>		

PRIMARY DIMENSIONS ARE INCH  
mm DIMENSIONS IN [BRACKETS]  
ARE FOR REFERENCE ONLY

DRAWN BY VB
DATE 3/7/2025
APPROVED BY
DATE
REFERENCE HXL228 & FLP8242G
THIRD ANGLE PROJECTION

9.91	3.92	3.50	4.82	5.99
C MAX	N	K	XA	AG
		Regal Beloit America, Inc.		
DESCRIPTION				
<b>OUTLINE</b>				
1/2 HP EVERGREEN CM 208-230/277 VOLT				
MATERIAL		PROCESS/FINISH		
NA		NA		
SIZE B	DRAWING NUMBER 5SBA39FLP8272G			SHEET 1 OF 1