

# PRODUCT INFORMATION PACKET



Model No: 690

Catalog No: 690

OEM Replacement Motor, 1/6 HP, 1 Ph, 60 Hz, 208-230 V, 1110 RPM, 1 Speed, 42 Frame, TEAO



Regal and Century are trademarks of Regal Rexnord Corporation or one of its affiliated companies.  
©2025 Regal Rexnord Corporation, All Rights Reserved. MC017097E





**Nameplate Specifications**

Phase	1	Output HP	1/6 Hp
Output KW	0.13 kW	Voltage	208-230 V
Speed	1110 rpm	Service Factor	1.0
Frame	42Y	Enclosure	Totally Enclosed Air Over
Thermal Protection	Automatic	Ambient Temperature	40 °C
Frequency	60 Hz	Current	1.03 A
Duty	Continuous Air Over	Insulation Class	A
UL	Recognized	CSA	Y
CE	N	Number of Speeds	1

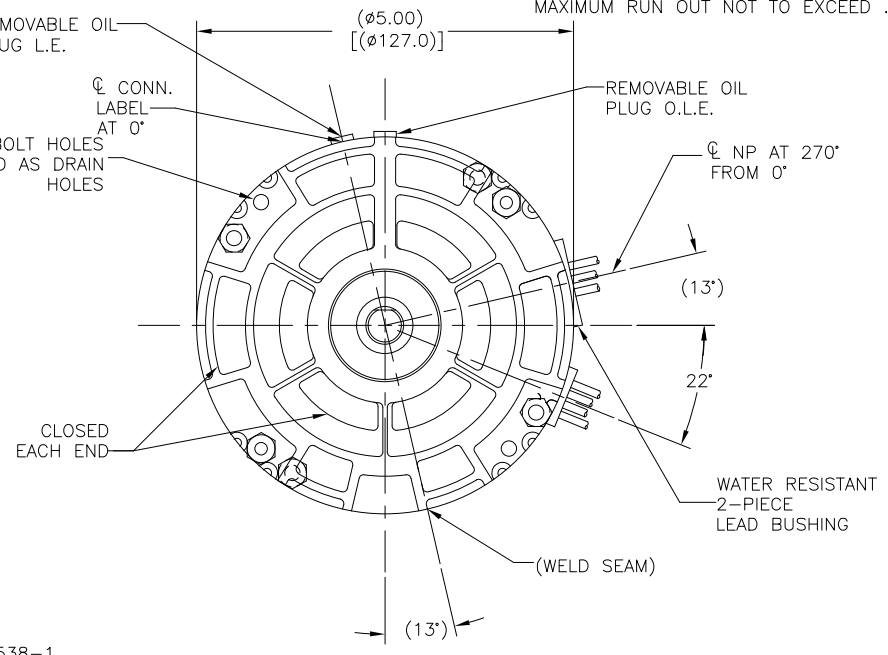
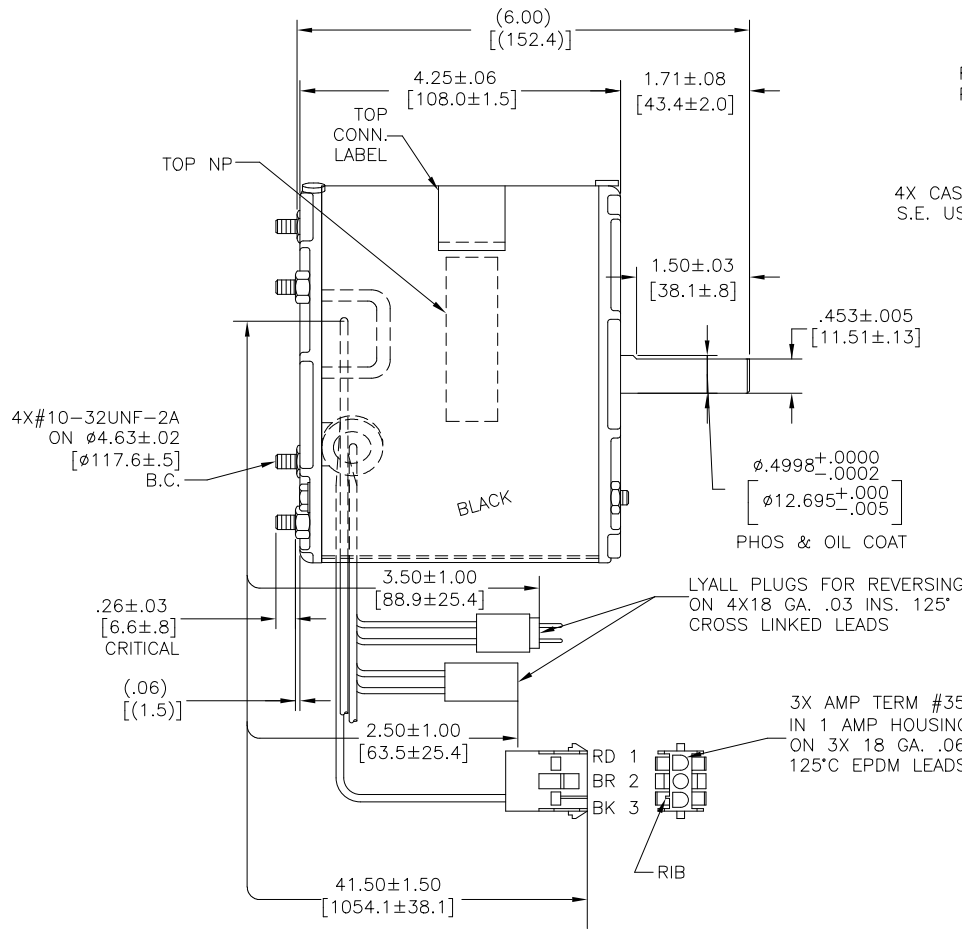
**Technical Specifications**

Electrical Type	Permanent Split Capacitor	Starting Method	Across The Line
Poles	6	Rotation	Reversible
Mounting	Extended Studs	Motor Orientation	Horizontal
Drive End Bearing	Sleeve	Opp Drive End Bearing	Sleeve
Frame Material	Rolled Steel	Shaft Type	Flat
Overall Length	6.26 in	Frame Length	3.67 in
Shaft Diameter	0.500 in	Shaft Extension	1.71 in
Outline Drawing	690-S01		

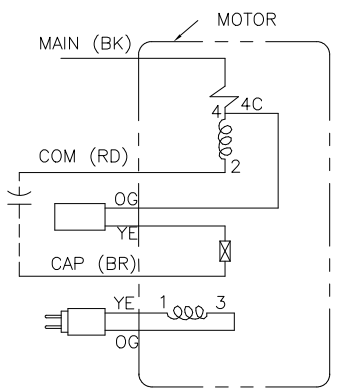
This is an uncontrolled document once printed or downloaded and is subject to change without notice. Date Created:05/26/2025

CUSTOMER IS SOLELY RESPONSIBLE FOR MOTOR PERFORMANCE AND SUITABILITY IN APPLICATIONS FOR CUSTOMER'S USES

ENDPLAY .005[0.13] MIN - .040[1.02] MAX
MAXIMUM SHAFT RUN OUT .001[.03] PER INCH
MAXIMUM RUN OUT NOT TO EXCEED .110[2.5]



ELECTRICALLY PER SAMPLE S-6595D-4



SCHEMATIC-121

ROT.:— REVERSIBLE

NAMEPLATE DATA:



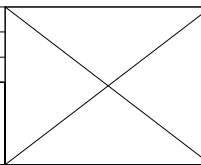
TIPP CITY, OHIO

**THERMALLY PROTECTED**  
 SER. DATE & P0# PLT LTR MOD DE3G120N' STK NO. 690  
 VOLTS 208-230 HZ 60 AMPS 1.03  
 RPM 1110 SP PH1 CAP 5MFD 370VAC  
 INS CL AMB °C HP 1/6 CONT AO ← ROT REV →  
 BRG SLV ASSEMBLED IN MEXICO

CCWLE	PLUG IN YELLOW LEAD TO ORANGE LEAD
CWLE	PLUG IN ORANGE LEAD TO ORANGE LEAD

CONN. LABEL 63T7432-295

DRAWING REVISION	REVISION BY	DATE
K	J. RUPERT	09-09-2022
ECO	APPROVED BY	DATE
ECR-0220754	J. RUPERT	09-09-2022
ECO DESCRIPTION		
REVISED TO BE SAME AS MODEL NUMBER		
<small>COPYRIGHT REGAL BELOIT AMERICA, INC. ALL RIGHTS RESERVED. PROPRIETARY AND CONFIDENTIAL INFORMATION - THIS DOCUMENT IS THE PROPERTY OF REGAL BELOIT AMERICA, INC. (OWNER) AND CONTAINS OWNER'S PROPRIETARY INFORMATION. ANY PERSON, CORPORATION OR OTHER ENTITY, DUPLICATING, AND/OR USING, EXCEPT AS EXPRESSLY APPROVED IN WRITING IN ADVANCE BY OWNER, THIS DOCUMENT SHALL BE RETURNED TO OWNER UPON REQUEST. IT MAY BE SUBJECT TO CERTAIN RESTRICTIONS UNDER APPLICABLE EXPORT CONTROL LAWS AND REGULATIONS.</small>		



DRAWN BY:	TLB
DATE:	12-09-2000
APPROVED BY:	CB
DATE:	11-16-2006
REFERENCE	
THIRD ANGLE PROJECTION	

Regal Beloit America, Inc.	
DESCRIPTION	
MODEL-RFHP-42FR OUTLINE	
MATERIAL	PROCESS/FINISH
SIZE	DWG NO
C	690
SHEET	1