

PRODUCT INFORMATION PACKET



Model No: 691
Catalog No: 691

OEM Replacement Motor, 1/4 HP, 1 Ph, 60 Hz, 208-230 V, 1075 RPM, 1 Speed, 42 Frame, SEMI-ENCLOSED



Regal and Century are trademarks of Regal Rexnord Corporation or one of its affiliated companies.
©2025 Regal Rexnord Corporation, All Rights Reserved. MC017097E





Nameplate Specifications

Phase	1	Output HP	1/4 Hp
Output KW	0.19 kW	Voltage	208-230 V
Speed	1075 rpm	Service Factor	1.0
Frame	42	Enclosure	Semi Enclosed
Thermal Protection	Thermally Protected	Ambient Temperature	40 °C
Frequency	60 Hz	Current	1.5 A
Duty	Continuous Air Over	Insulation Class	A
UL	Recognized	CSA	Y
CE	N	Number of Speeds	1

Technical Specifications

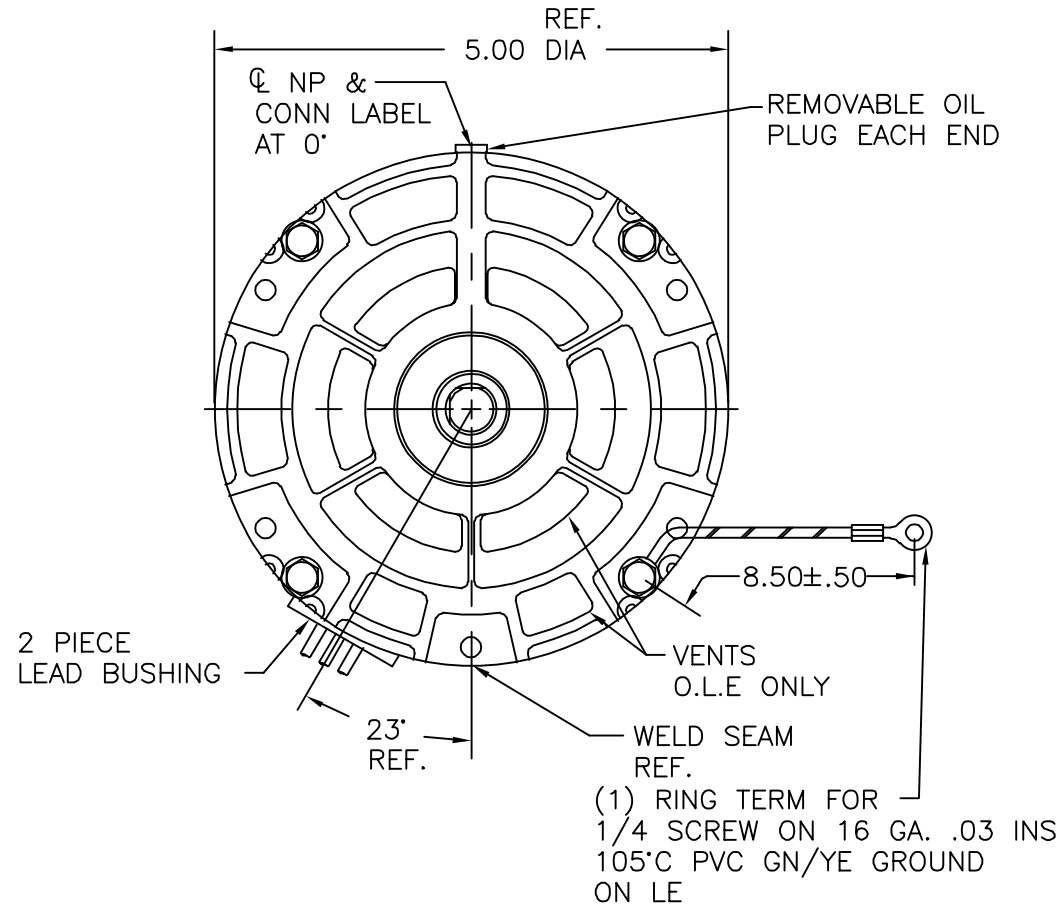
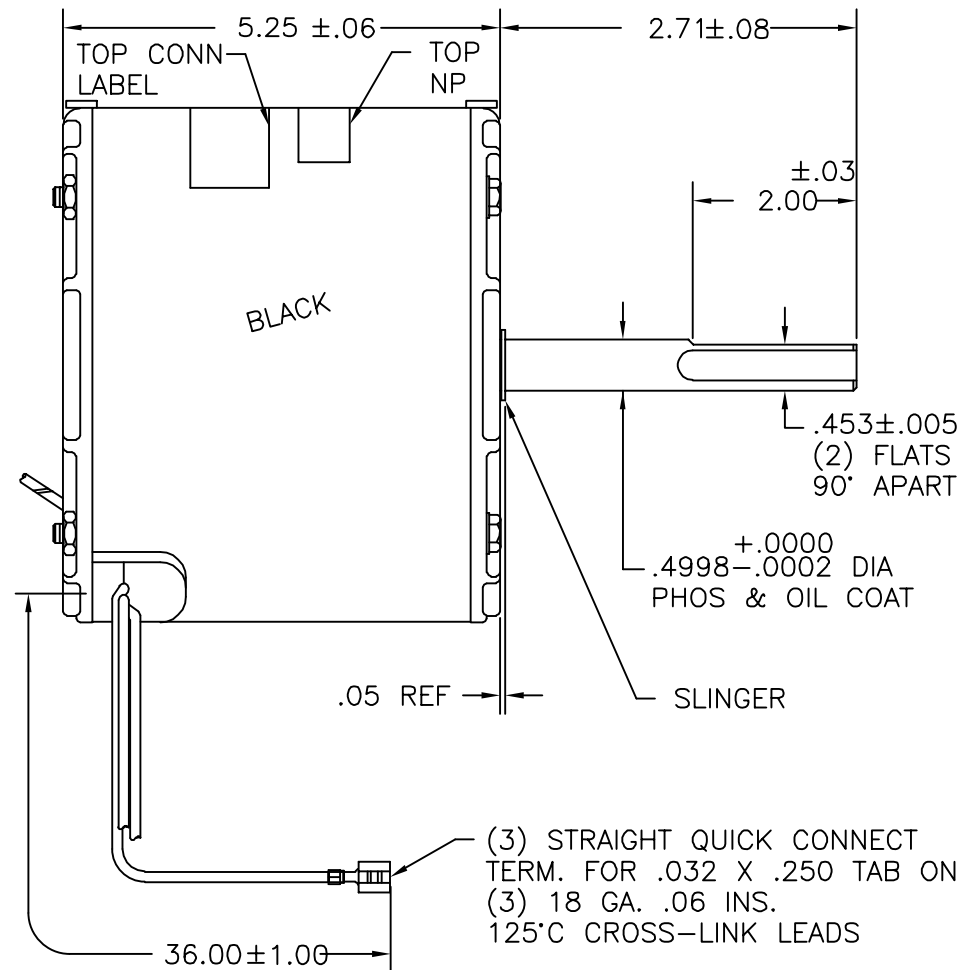
Electrical Type	Permanent Split Capacitor	Starting Method	Across The Line
Poles	6	Rotation	Counterclockwise Shaft End
Mounting	Round Belly Band	Motor Orientation	Horizontal
Drive End Bearing	Sleeve	Opp Drive End Bearing	Sleeve
Frame Material	Rolled Steel	Shaft Type	Double Flat
Overall Length	7.96 in	Frame Length	4.67 in
Shaft Diameter	0.500 in	Shaft Extension	2 3/4 in
Outline Drawing	DE3L7040-S01		

This is an uncontrolled document once printed or downloaded and is subject to change without notice. Date Created:02/10/2025

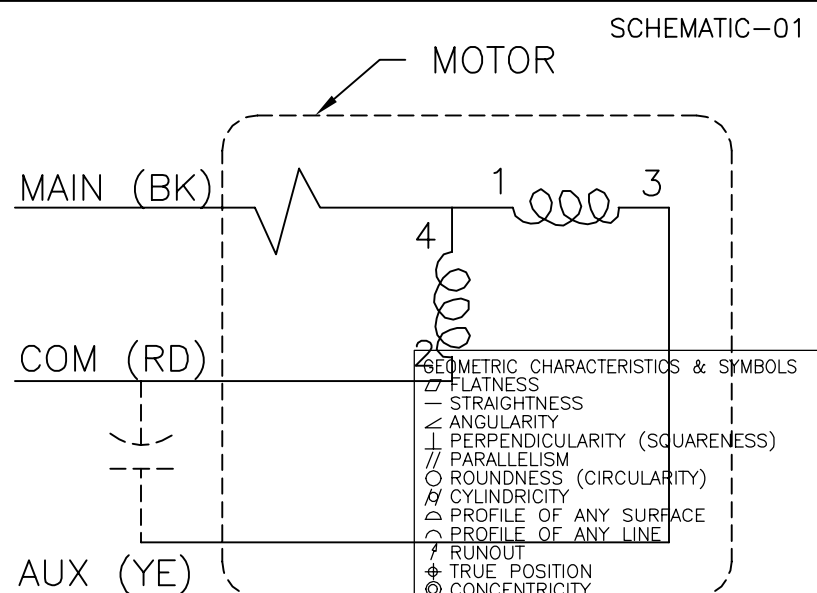
CUSTOMER IS SOLELY RESPONSIBLE FOR MOTOR PERFORMANCE AND SUITABILITY IN APPLICATIONS FOR CUSTOMER'S USES.

REV	ECO	REV BY	DATE	APPD	DATE
D	0029000	I.ORTIZ	10-17-2012	M.AVILA	10-17-2012

ENDPLAY .005 MIN - .040 MAX
 MAXIMUM SHAFT RUNOUT .001 PER INCH
 MAXIMUM RUN OUT NOT TO EXCEED .010



ELECTRICALLY PER SAMPLE S-1034E



ROT.: - CWLE - CCWSE

NAMEPLATE DATA:



TIPP CITY, OHIO THERMALLY PROTECTED

SER. DATE & P0# PLT LTR MOD DE3L040N STK NO. 691
 VOLTS 208-230 HZ 60 AMPS 1.5
 RPM1075 SP PH1 CAP5MFD 370VAC
 INS CL AMB °C HP 1/4 CONT AO -ROTATION-
 BRG SLV ASSEMBLED IN MEXICO

CONN. LABEL
 63T7432-204

GEOMETRIC CHARACTERISTICS & SYMBOLS

- FLATNESS
- STRAIGHTNESS
- ANGULARITY
- PERPENDICULARITY (SQUARENESS)
- PARALLELISM
- ROUNDNESS (CIRCULARITY)
- CYLINDRICITY
- PROFILE OF ANY SURFACE
- PROFILE OF ANY LINE
- RUNOUT
- TRUE POSITION
- CONCENTRICITY
- SYMMETRY

ASME Y14.5M 1994

UNLESS OTHERWISE SPECIFIED DIM. TOLERANCES ARE AS FOLLOWS:

INCH X XX XXX XXXX
 ±.1 ±.02 ±.005 ±.0005
 mm ±0.5 ±0.13 ±0.013

ANG. ±.50 DEG
 REMOVE BURRS & BREAK SHARP EDGES:
 INCH .003-.015 mm 0.1-0.4

CORNER FILLETS TO:
 INCH .020 mm 0.5

MACHINE SURFACES:
 INCH 125 mm 3.2

METRIC DIMS. SHOWN IN [BRACKETS]

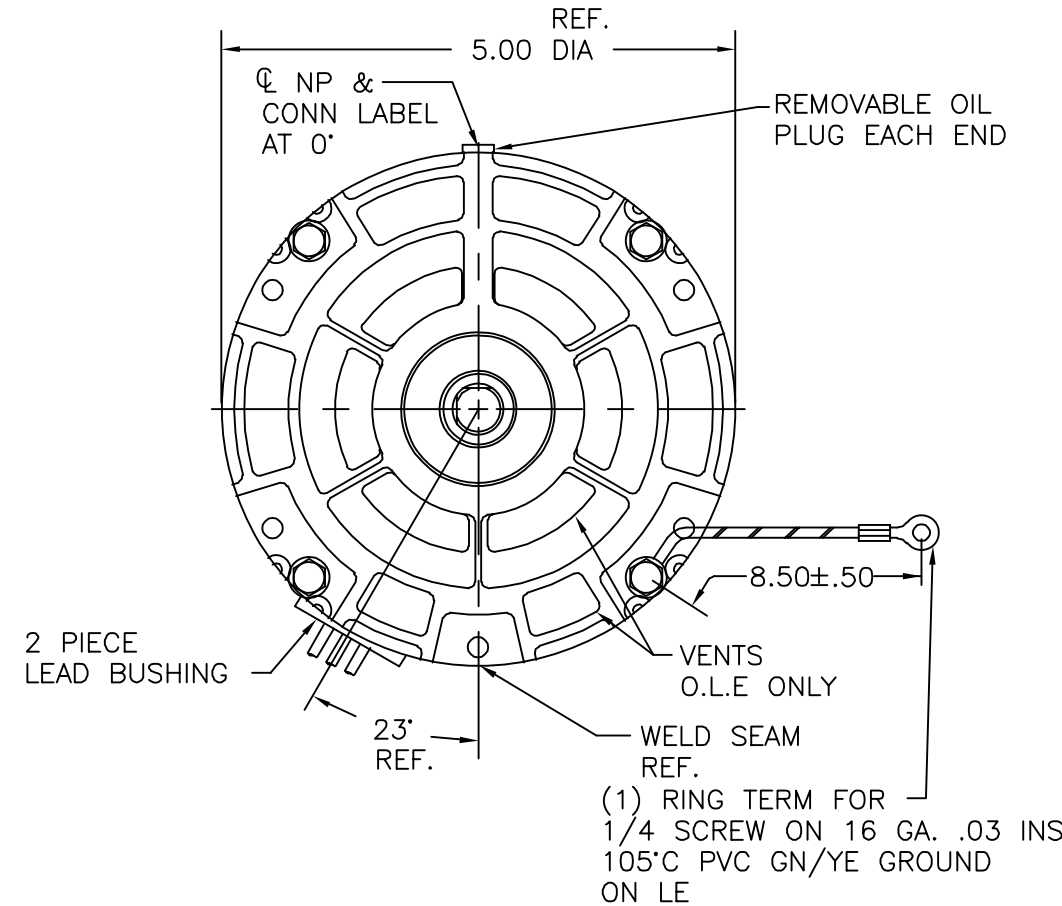
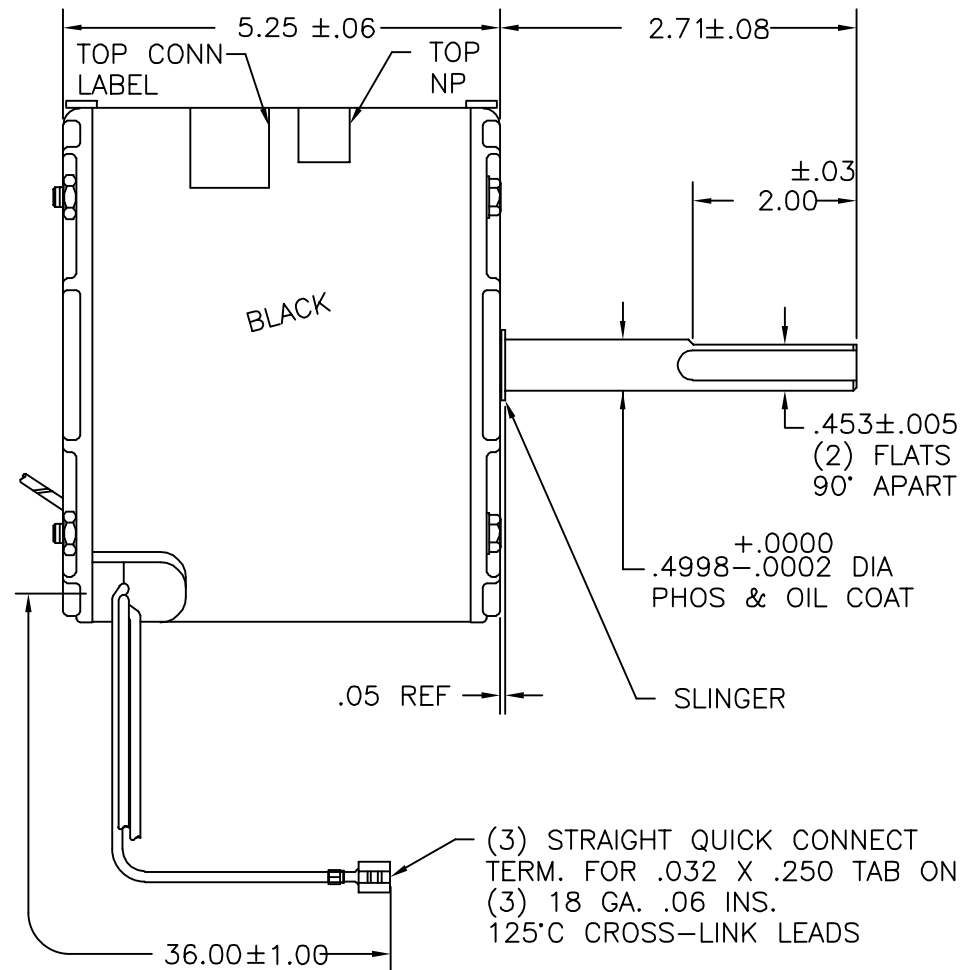
DR BY:	TLB	12-15-2000
APPD:	DRB	
THIRD ANGLE PROJECTION	EDS DATE 11-11-2011	FORMAT REV H
CONFIDENTIAL: THIS DRAWING AND ITS INFORMATION ARE THE EXCLUSIVE AND CONFIDENTIAL PROPERTY OF REGAL-BELOIT CORPORATION AND ARE NOT TO BE DISCLOSED, DUPLICATED, DISTRIBUTED OR OTHERWISE USED WITHOUT THE WRITTEN CONSENT OF REGAL-BELOIT CORPORATION. -ALL RIGHTS RESERVED.		

REGAL REGAL-BELOIT CORPORATION	
DESCRIPTION MODEL-RFHP-42FR OUTLINE	
SIZE C	DWG NO DE3L7040
SCALE NONE	SHEET 1

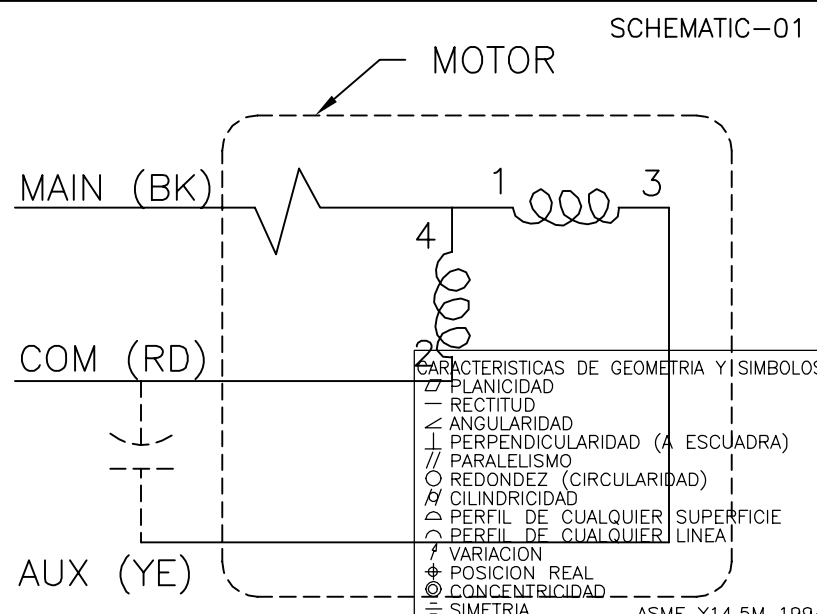
CUSTOMER IS SOLELY RESPONSIBLE FOR MOTOR PERFORMANCE AND SUITABILITY IN APPLICATIONS FOR CUSTOMER'S USES.

REVISION:	ECO	REVISADO POR:	FECHA:	APROBADO POR:	FECHA:
D	0029000	I.ORTIZ	10-17-2012	M.AVILA	10-17-2012

ENDPLAY .005 MIN - .040 MAX
 MAXIMUM SHAFT RUNOUT .001 PER INCH
 MAXIMUM RUN OUT NOT TO EXCEED .010



ELECTRICALLY PER SAMPLE S-1034E



ROT.: - CWLE-CCWSE

NAMEPLATE DATA:



TIPP CITY, OHIO
 THERMALLY PROTECTED

SER. DATE & P0# PLT LTR MOD DE3L040N STK NO. 691
 VOLTS 208-230 HZ 60 AMPS 1.5
 RPM1075 SP PH1 CAP5MFD 370VAC
 INS CL AMB °C HP 1/4 CONT AO
 BRG SLV

CONN. LABEL
 63T7432-204

ASSEMBLED IN MEXICO

CARACTERISTICAS DE GEOMETRIA Y SIMBOLOS

- PLANICIDAD
- RECTITUD
- ANGULARIDAD
- PERPENDICULARIDAD (A ESCUADRA)
- PARALELISMO
- REDONDEZ (CIRCULARIDAD)
- CILINDRICIDAD
- PERFIL DE CUALQUIER SUPERFICIE
- PERFIL DE CUALQUIER LINEA
- VARIACION
- POSICION REAL
- CONCENTRICIDAD
- SIMETRIA

ASME Y14.5M 1994

A MENOS QUE SE ESPECIFIQUE DE OTRA MANERA, LAS TOLERANCIAS DE LAS DIMS; SON LAS SIGUIENTES:

PULG ±.1 ±.02 ±.005 ±.0005
 mm ±0.5 ±0.13 ±0.013

ANG. ± 50 GRADOS
 ELIMINAR REBABAS Y ORILLAS FILOSAS DEL BORDE.

PULG .003-.015 mm 0.1-0.4
 FILETEAR ESQUINA: PULG .020 mm 0.5
 MAQUINAR SUPERFICIES
 PULG 125 mm 3.2

DIMS METRICAS MOSTRADAS [PARENTESIS]

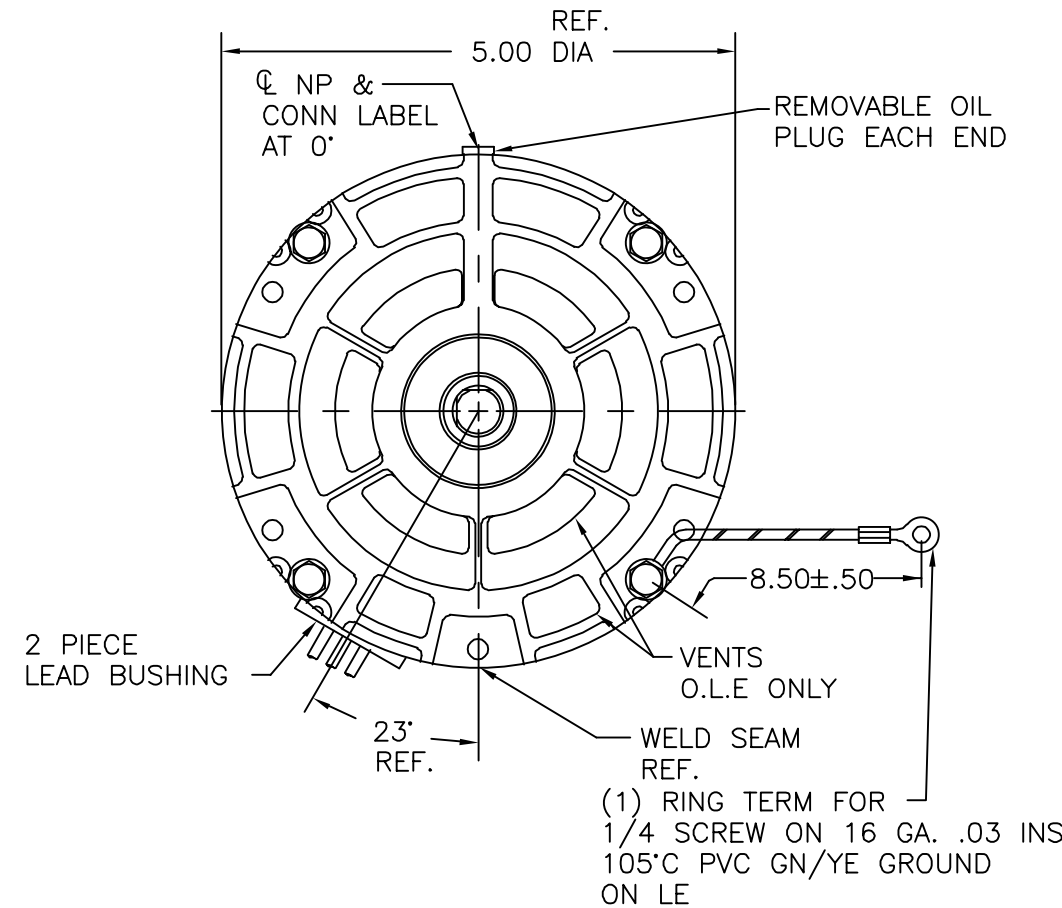
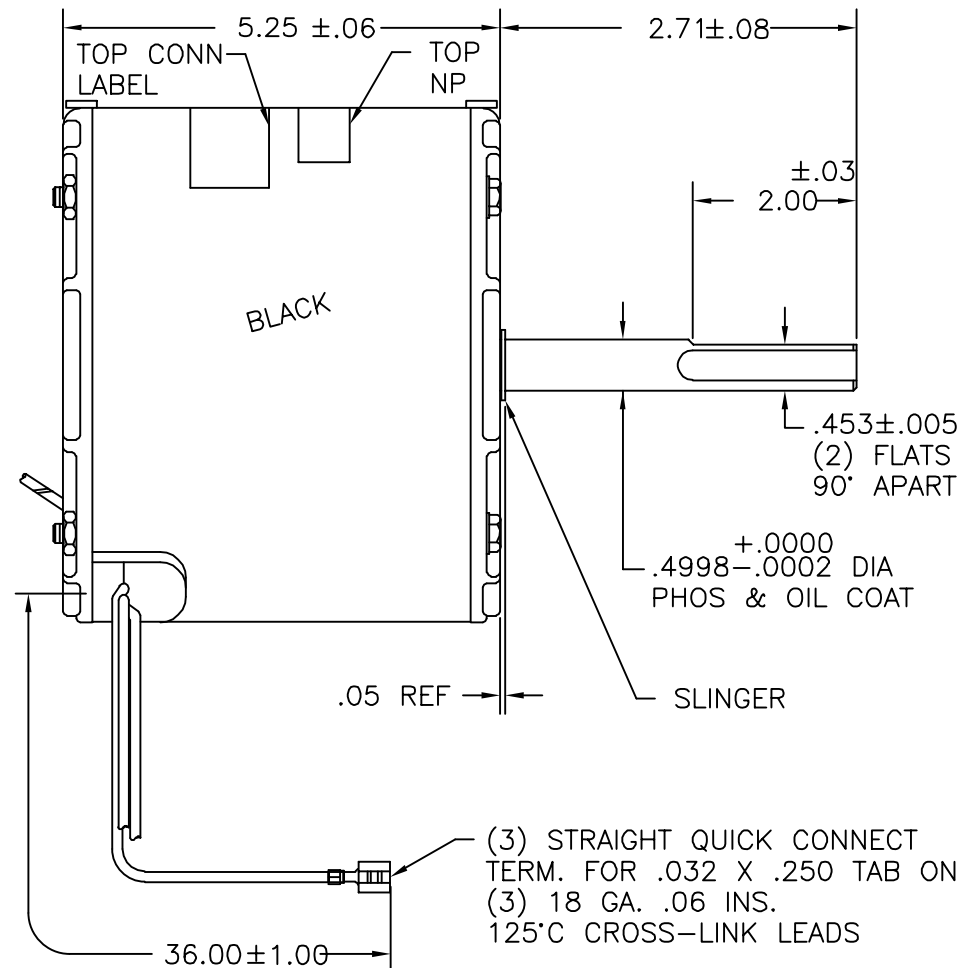
DIBUJADO POR:	TLB	12-15-2000
APROBADO POR:	DRB	
TERCER ANGULO DE PROYECCION	FECHA EDS: 11-11-2011	REV. FORMATO: H
CONFIDENCIAL: ESTE DIBUJO Y SU INFORMACION SON PROPIEDAD DE USO EXCLUSIVO Y CONFIDENCIAL DE REGAL-BELOIT CORPORATION. Y NO DEBERAN SER REVELADOS, DUPLICADOS, DISTRIBUIDOS O USARSE DE OTRA MANERA SIN EL CONSENTIMIENTO ESCRITO DE REGAL-BELOIT CORPORATION. -TODOS LOS DERECHOS RESERVADOS.		

REGAL REGAL-BELOIT CORPORATION	
DESCRIPCION: MODEL-RFHP-42FR OUTLINE	
TAMAÑO: C	NUMERO DE DIBUJO: DE3L7040
ESCALA: NONE	HOJA: 1

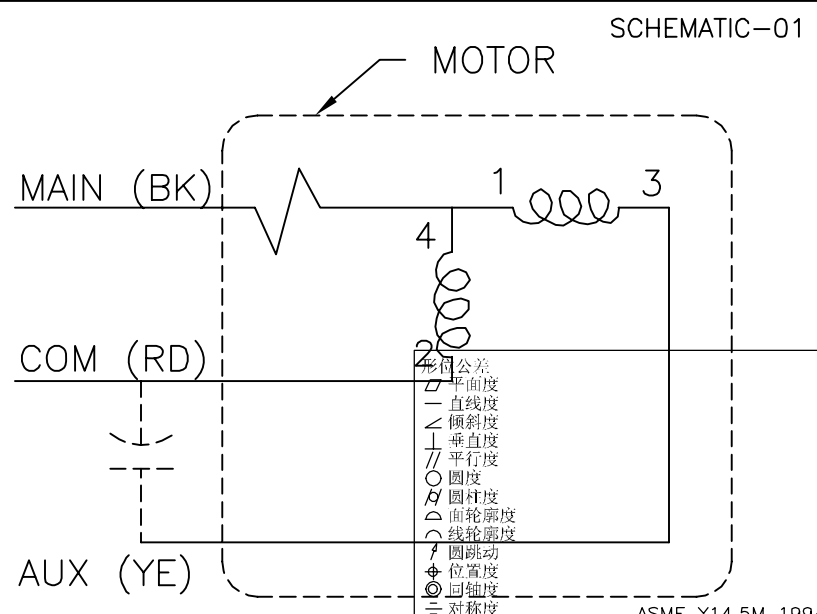
CUSTOMER IS SOLELY RESPONSIBLE FOR MOTOR PERFORMANCE AND SUITABILITY IN APPLICATIONS FOR CUSTOMER'S USES.

版本	ECO	编制	日期	批准	日期
D	0029000	I.ORTIZ	10-17-2012	M.AVILA	10-17-2012

ENDPLAY .005 MIN - .040 MAX
 MAXIMUM SHAFT RUNOUT .001 PER INCH
 MAXIMUM RUN OUT NOT TO EXCEED .010



ELECTRICALLY PER SAMPLE S-1034E



ROT.: - CWLE - CCWSE

NAMEPLATE DATA:

Century TIPP CITY, OHIO

THERMALLY PROTECTED

SER. DATE & P0# PLT LTR MOD DE3L040N STK NO. 691
 VOLTS 208-230 HZ 60 AMPS 1.5
 RPM1075 SP PH1 CAP5MFD 370VAC
 INS CL AMB °C HP 1/4 CONT AO

CONN. LABEL 63T7432-204

ASSEMBLED IN MEXICO

除另有注明尺寸公差如下:

英寸	±.1	±.02	±.005	±.0005
毫米	±0.5	±0.13	±0.013	

角度 ±.50 度
 清理毛刺和尖棱
 英寸 .003-.015 毫米 0.1-0.4
 内圆角 英寸 .020 毫米 0.5
 表面粗糙度 英制 125 米制 3.2

米制尺寸显示在 L]

绘图: TLB 12-15-2000

批准: DRB

第三角投影

图格式发布日期 11-11-2011
 图格式版本 H

机密: 本图纸及相关信息所有权归REGAL-BELOIT CORPORATION. 未经REGAL-BELOIT CORPORATION书面授权, 不得泄露、复制、传播或作其他用途。—版权所有

REGAL REGAL-BELOIT CORPORATION

名称: MODEL-RFHP-42FR OUTLINE

图幅: C 图号: DE3L7040

比例: NONE 页号: 1