

PRODUCT INFORMATION PACKET



Model No: 730A
Catalog No: 730A

Unit Heater Motor, 1/6 HP, 1 Ph, 60 Hz, 115/208-230 V, 1140 RPM, 1 Speed, 48 Frame, ENCLOSED



Regal and Century are trademarks of Regal Rexnord Corporation or one of its affiliated companies.
©2022 Regal Rexnord Corporation, All Rights Reserved. MC017097E





Nameplate Specifications

Output HP	1/6 Hp	Output KW	0.13 kW
Frequency	60 Hz	Voltage	115/208-230 V
Current	2.1,1.1 A	Speed	1140 rpm
Service Factor	1	Phase	1
Duty	Air Over	Insulation Class	B
Frame	F48Y	Enclosure	Totally Enclosed
Thermal Protection	Automatic	Ambient Temperature	60 °C
UL	Recognized	CSA	Y
CE	N	Number of Speeds	1

Technical Specifications

Electrical Type	Permanent Split Capacitor	Starting Method	Across The Line
Poles	6	Rotation	Reversible
Mounting	Resilient Base	Motor Orientation	Any
Drive End Bearing	Ball	Opp Drive End Bearing	Ball
Frame Material	Rolled Steel	Shaft Type	Flat
Overall Length	11.55 in	Frame Length	5.25 in
Shaft Diameter	0.500 in	Shaft Extension	5.05 in
Outline Drawing	730A-S01	Connection Drawing	614131-345

This is an uncontrolled document once printed or downloaded and is subject to change without notice. Date Created:11/29/2022

GENERAL INFORMATION:

SHAFT RUNOUT: .001 [.025] T.I.R. PER INCH LENGTH OF EXTENSION

BEARINGS: BALL

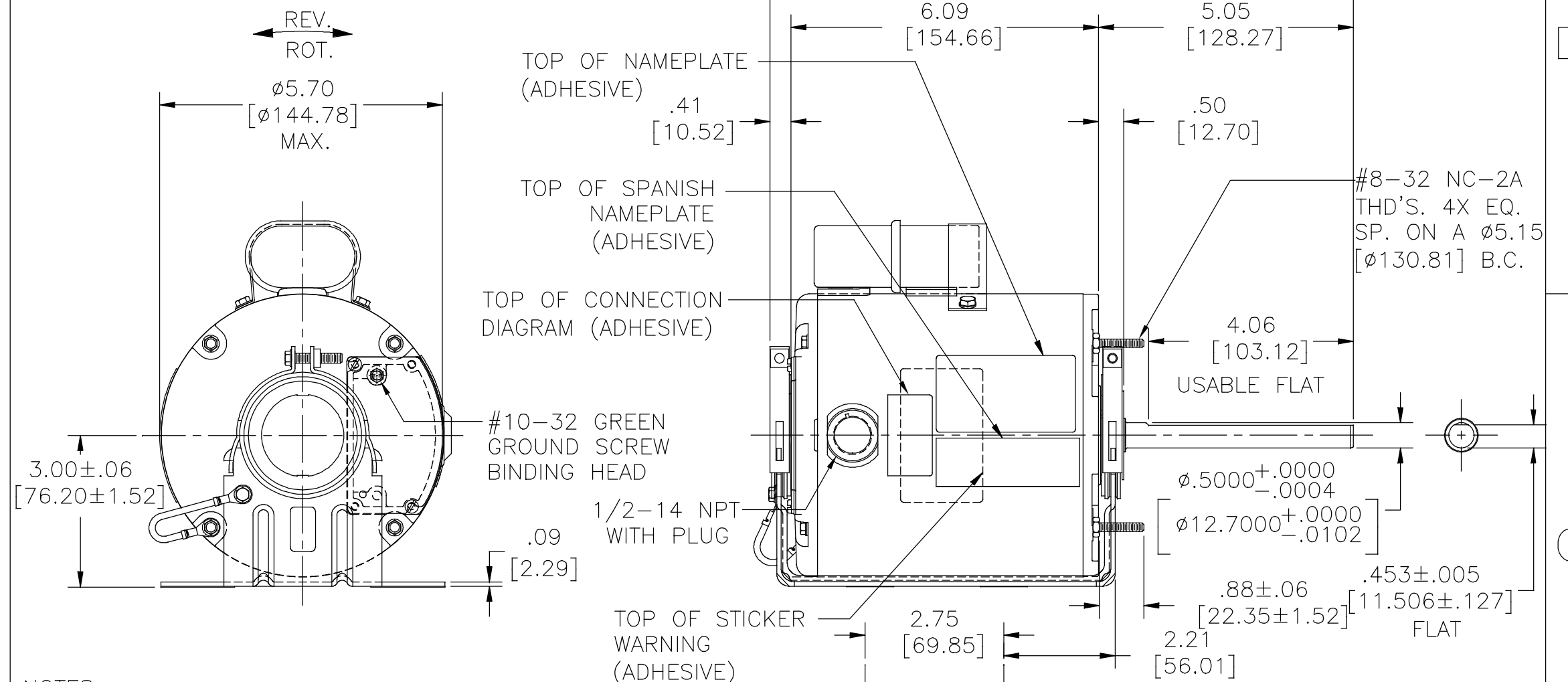
MOUNTING POSITION: ALL ANGLE

ELECTRICAL DATA:

OVERLOAD PROTECTOR: AUTOMATIC RESET (T.I. 7AM 036)

LEADS: NO. 18 GA., .03 [.76] THK. XLP 125°C INSUL.

GROUND LEAD: NO. 18 GA., .03 [.76] THK., GREEN/YELLOW INSUL.



NOTES:

- SHIP SEPARATE 619432-256 BAG ASSEMBLY(MADE IN MM1).
- SHIP SEPARATE 10008025-012-001 BAG ASSEMBLY. (ONLY USED MADE IN CHANGZHOU).
- MOTOR TO BE SHIPPED CONNECTED FOR CCWLE ROTATION AND 115 VOLTS.

GREEN/YELLOW (GROUND)	CONNECTED TO BASE	#10 EYELET
RED	CONNECTED TO CAPACITOR	.25 [6.35] FLAG
RED	CONNECTED TO CAPACITOR	.25 [6.35] FLAG
YELLOW	5.0/6.0 [127.0/152.4]	.25 [6.35] FLAG
BLACK	5.0/6.0 [127.0/152.4]	.25 [6.35] FLAG
ORANGE	5.0/6.0 [127.0/152.4]	.25 [6.35] FLAG
WHITE	5.0/6.0 [127.0/152.4]	.25 [6.35] FLAG
RED	5.0/6.0 [127.0/152.4]	.25 [6.35] FLAG
BROWN	5.0/6.0 [127.0/152.4]	.25 [6.35] FLAG
YELLOW/BLACK	5.0/6.0 [127.0/152.4]	.25 [6.35] FLAG
COLOR	LENGTH	TERMINAL OR STRIP LENGTH

REGAL-BELOIT CORPORATION (RBC) PROVIDES TECHNICAL ASSISTANCE TO OUR CUSTOMERS IN SEVERAL AREAS. SINCE RBC DOES NOT RECEIVE ALL DATA CONCERNING THE USE AND APPLICATION OF THE MOTOR, THE SUITABILITY OF THE MOTOR FOR THE APPLICATION MUST BE DETERMINED BY THE CUSTOMER.

DIMENSIONS WITHOUT TOLERANCES ARE FOR REFERENCE ONLY.

- THE SYMBOL OF CTQ: ▲ (NO CTQ ON THIS DRAWING)
- MEET THE REQUIREMENT OF ROHS AND REACH: SEE EP000014_5.1

MAIN FRAME - OLE	ENCLOSED
END FRAME - OLE	ENCLOSED
MAIN FRAME - LE	ENCLOSED
END FRAME - LE	ENCLOSED

CUSTOMER	DISTRIBUTION SERVICE
----------	----------------------

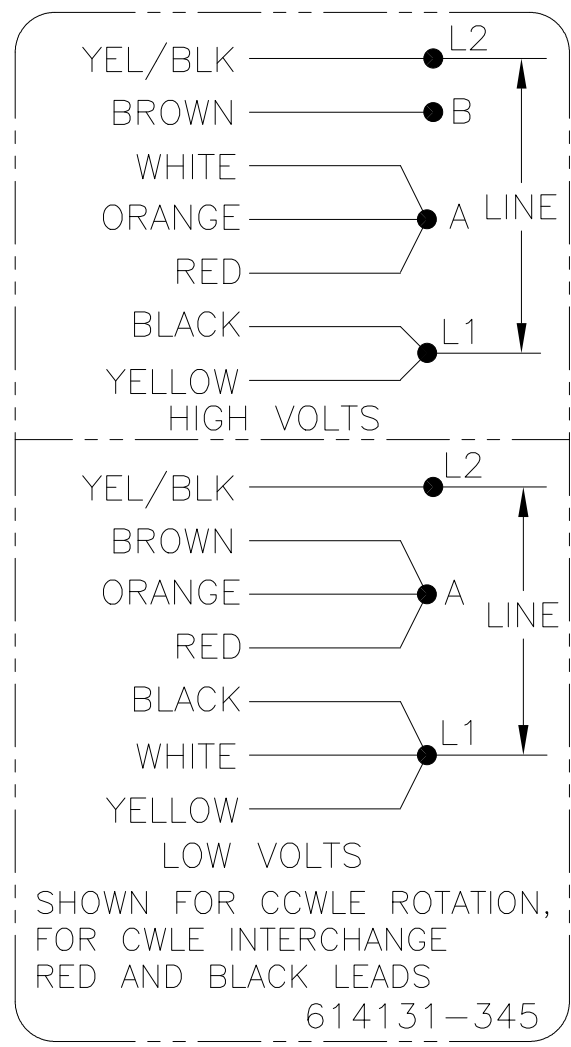
NAMEPLATE DATA:	EXTERNAL CONNECTION DIAGRAM
MODEL NO.: F48Y92A01 CUST. P/N: 730A HP: 1/6 ROT.: REVERSIBLE RPM: 1140 TYPE: UF FRAME: 48Y VOLTS: 115/208-230 PH: 1 AMPS: 2.1/1.1 HZ: 60 INS.: B AMB.: 60° C DUTY: AIR OVER CAP.: 4 MFD/370 V ENCL: ENCLOSED UL LOGO CSA LOGO THERMALLY PROTECTED	

PERFORMANCE CURVE NO.	TORQUE @ 1130 RPM (25°C)	APPROVED SAMPLE	UL COMPONENT FILE #	CCN #	CSA FILE #	CLASS #
C32690	12.5 OZ. FT.	0603112B	E46412	PRGY2	LR43341	4211-01

DRAWING REVISION	REVISION BY	DATE
H	CADDIE.ZHOU	02-27-2020
ECO	APPROVED BY KEYUN.GONG	DATE 02-27-2020
ECO-0182124		
ECO DESCRIPTION ADD SPANISH NAMEPLATE & ADD NOTES 4,5		


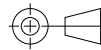
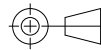
COPYRIGHT REGAL-BELOIT AMERICA, INC. ALL RIGHTS RESERVED. PROPRIETARY AND CONFIDENTIAL INFORMATION - THIS DOCUMENT IS THE PROPERTY OF REGAL-BELOIT AMERICA, INC. ("OWNER") AND CONTAINS OWNER'S PROPRIETARY INFORMATION. ANY PERSON, CORPORATION OR OTHER FIRM RECEIVING IT IS DEEMED, BY RECEIVING IT, TO AGREE THAT IT, AND/OR ANY PART OF IT, SHALL NOT BE DISCLOSED TO ANY PERSON, CORPORATION OR OTHER ENTITY, DUPLICATED, AND/OR USED, EXCEPT AS EXPRESSLY APPROVED IN WRITING IN ADVANCE BY OWNER. THIS DOCUMENT SHALL BE RETURNED TO OWNER UPON REQUEST. IT MAY BE SUBJECT TO CERTAIN RESTRICTIONS UNDER APPLICABLE EXPORT CONTROL LAWS AND REGULATIONS.

DRAWN BY: MEIYU.HE	REGAL™ Regal Beloit America, Inc.	
DATE: 05-08-2007	DESCRIPTION: MODEL-RFHP-48FR OUTLINE	
APPROVED BY: TR	MATERIAL: -	PROCESS/FINISH: -
DATE: 08-08-2007	SIZE: C	DWG NO: 730A
REFERENCE: -	SHEET: 1	



NOTES:

1. FOR USE WITH 614129 NAMEPLATE BLANK
2. — — — — — INDICATES DIMENSION LIMITS
3. DIE TO BE MADE FROM MASTER SUPPLIED BY A. O. SMITH CORPORATION
4. DIE MUST PRODUCE A LEGIBLE IMPRESSION.

DRAWING REVISION C	REVISION BY J. RUPERT	DATE 07-07-2021	TOLERANCES UNLESS OTHERWISE SPECIFIED	DRAWN BY: J. RUPERT	 Regal Beloit America, Inc.																			
ECO NMR-0209480	APPROVED BY J. RUPERT	DATE 07-07-2021	<table border="1"> <thead> <tr> <th>DEC.</th> <th>INCH</th> <th>mm</th> <th>ANGLE</th> </tr> </thead> <tbody> <tr> <td>.X</td> <td>±0.1</td> <td>[±2.5]</td> <td>±0.5°</td> </tr> <tr> <td>.XX</td> <td>±0.02</td> <td>[±0.51]</td> <td></td> </tr> <tr> <td>.XXX</td> <td>±0.005</td> <td>[±0.127]</td> <td></td> </tr> <tr> <td>.XXXX</td> <td>±0.0005</td> <td>[±0.0127]</td> <td></td> </tr> </tbody> </table>	DEC.		INCH	mm	ANGLE	.X	±0.1	[±2.5]	±0.5°	.XX	±0.02	[±0.51]		.XXX	±0.005	[±0.127]		.XXXX	±0.0005	[±0.0127]	
DEC.	INCH	mm	ANGLE																					
.X	±0.1	[±2.5]	±0.5°																					
.XX	±0.02	[±0.51]																						
.XXX	±0.005	[±0.127]																						
.XXXX	±0.0005	[±0.0127]																						
ECO DESCRIPTION REVISED FOR UP ISSUE			REMOVE BURRS & BREAK SHARP EDGES .003/.015 [.076/.381] X 45° CORNER FILLETS R.02 [.51] MACHINED SURFACES	APPROVED BY: T. RILEY	DESCRIPTION CONN DIAGRAM EXTERNAL																			
<small>COPYRIGHT REGAL BELOIT AMERICA, INC. ALL RIGHTS RESERVED. PROPRIETARY AND CONFIDENTIAL INFORMATION - THIS DOCUMENT IS THE PROPERTY OF REGAL BELOIT AMERICA, INC. ("OWNER") AND CONTAINS OWNER'S PROPRIETARY INFORMATION. ANY PERSON, CORPORATION OR OTHER FIRM RECEIVING IT IS DEEMED, BY RECEIVING IT, TO AGREE THAT IT, AND/OR ANY PART OF IT, SHALL NOT BE DISCLOSED TO ANY PERSON, CORPORATION OR OTHER ENTITY, DUPLICATED, AND/OR USED, EXCEPT AS EXPRESSLY APPROVED IN WRITING IN ADVANCE BY OWNER. THIS DOCUMENT SHALL BE RETURNED TO OWNER UPON REQUEST. IT MAY BE SUBJECT TO CERTAIN RESTRICTIONS UNDER APPLICABLE EXPORT CONTROL LAWS AND REGULATIONS.</small>			THIRD ANGLE PROJECTION	DATE: 01-28-2009	MATERIAL																			
mm SHOWN IN [BRACKETS]				REFERENCE	PROCESS/FINISH																			
				SIZE A	DWG NO 4 of 4																			
					614131-345																			
					SHEET 1																			